

INSTALLATION INSTRUCTIONS

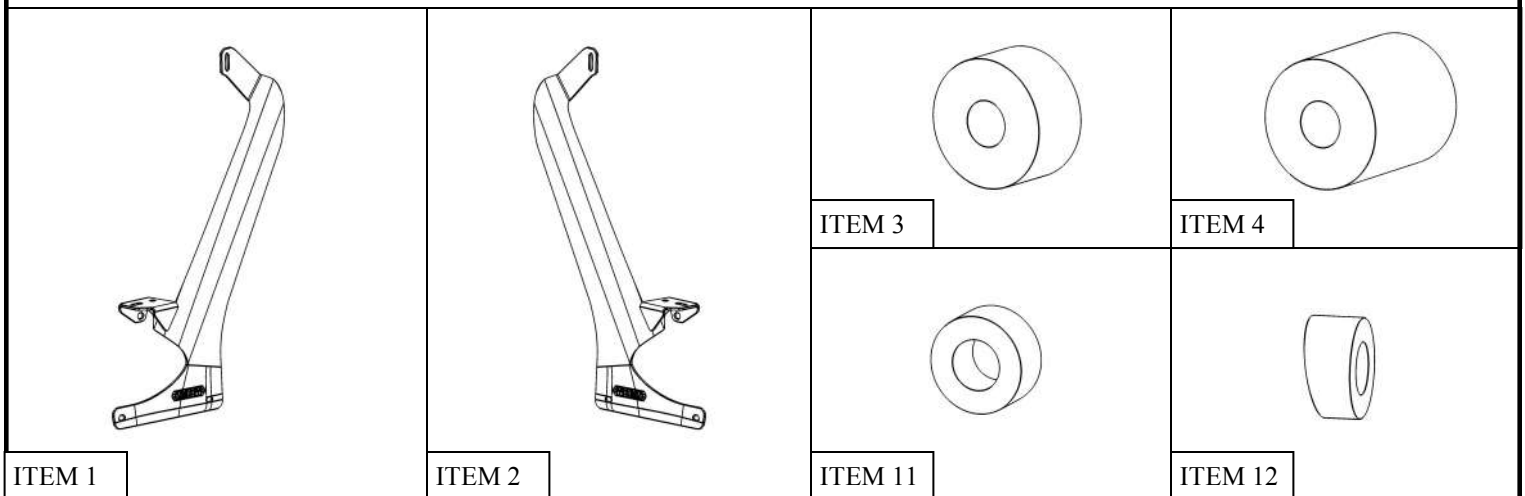
PILLAR LIGHT MOUNT



APPLICATION:
2018-2019 Jeep Wrangler JL
PART NUMBER:
62-41085

CONTENT			
ITEM	QUANTITY	DESCRIPTION	TOOLS NEEDED
1	1	DRIVER SIDE PILLAR MOUNT	ALLEN WRENCH
2	1	PASSENGER SIDE PILLAR MOUNT	TORQUE WRENCH
3	2	SMALL 25MM SPACER	
4	2	LARGE 25MM SPACER	
5,6	2	UPPER GASKET (DRIVER, PASSENGER)	
7,8	2	MIDDLE GASKET (DRIVER, PASSENGER)	
9,10	2	LOWER GASKET (DRIVER, PASSENGER)	
11	2	FLAT-CUT 10MM SPACER	
12	2	SLANT-CUT 10MM SPACER	
13	6	LONG M8 BUTTON HEAD SCREW (BLACK ZINC)	
14	6	M8 FLAT WASHER (BLACK ZINC)	
15	6	M8 SPLIT LOCK WASHER (BLACK ZINC)	
16	2	SHORT M8 BUTTON HEAD SCREW (BLACK ZINC)	
17	2	M10 BELLEVILLE WASHER (BLACK ZINC)	
18	4	M10 FLAT WASHER (BLACK ZINC)	
19	2	BINDING SCREW (BLACK ZINC)	
20	2	M8 BUTTON HEAD SCREW (STAINLESS)	
21	1	SPECIAL HEX KEY	

ANTI-SEIZE LUBRICANT MUST BE USED ON ALL STAINLESS STEEL FASTENERS TO PREVENT THREAD DAMAGE AND GALLING



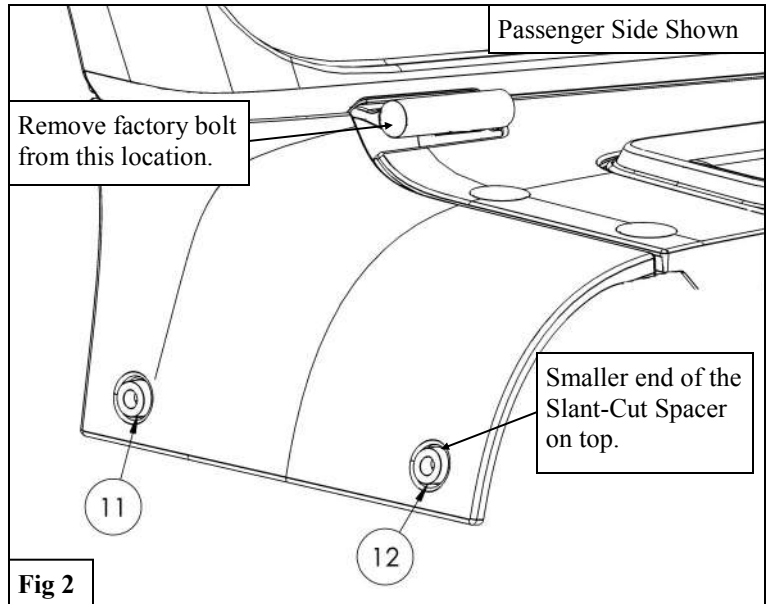
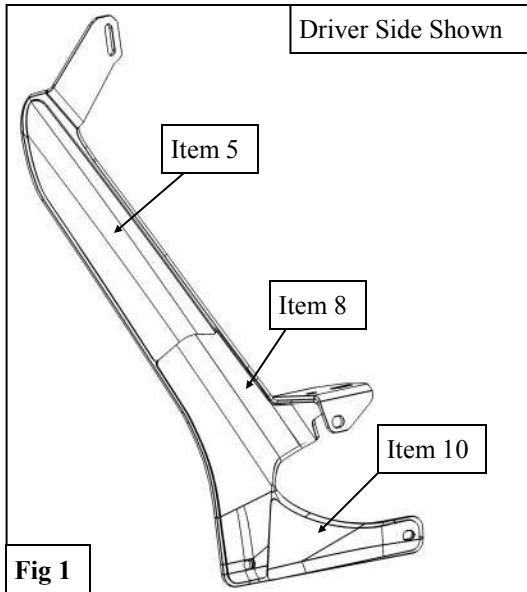
PROCEDURE

1. Remove contents from box, verify if all parts listed are present and free from damage.

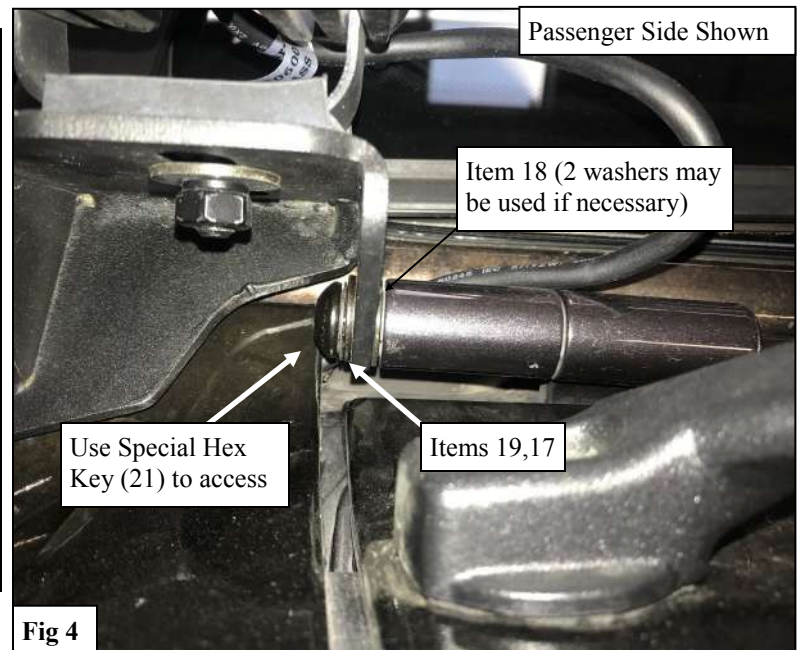
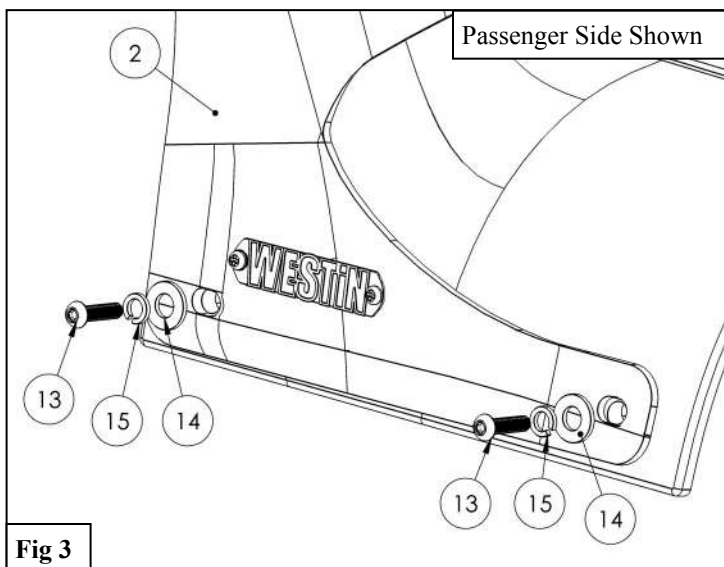
Carefully read and understand all instructions before attempting installation.

Failure to identify damage before installation could lead to a rejection of any claim.

2. Use the supplied Gaskets (5-10) to cover the back side of each Pillar Mount (1,2). See **Figure 1**.
3. Remove the factory bolts for the window hinge and on the side of the cowl and insert the 10mm Spacers (11,12) as shown in **Figure 2**. *Note: The supplied double-sided tape may be used to hold the spacers in place.*

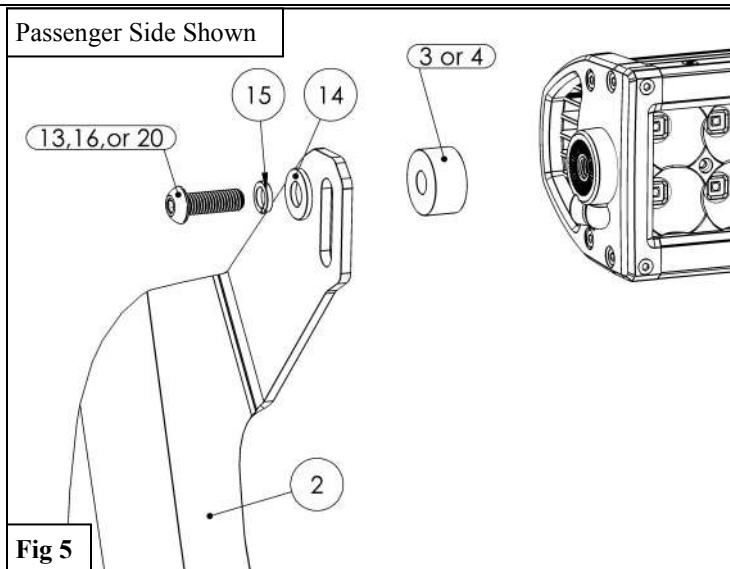


4. Loosely install the Pillar Mount (1,2) to the vehicle using the supplied hardware. See **Figures 3 & 4**.



WESTIN

5. Install your LED Light Bar (sold separately) using the supplied M8 Hardware and 25mm Spacers (3,4) as needed. See **Figure 5**. *Note: Depending on your Light Bar, you may need to use one of the supplied spacers (3,4) as shown. This will also need a different size button head bolt. You may use any of the supplied button head bolts (13,16, or 20) as needed.*
6. Torque all hardware: M8 to 18 ft-lbs, Use regular hex key to fully tighten the Binding Screws (19).



INSTALLATION COMPLETE

LED lights and Cowl Mount sold separately



CARE INSTRUCTIONS

- REGULAR WAXING IS RECOMMENDED. DO NOT USE ANY TYPE OF POLISH OR WAX THAT MAY CONTAIN ABRASIVES.
- STAINLESS STEEL PRODUCTS CAN BE CLEANED WITH MILD SOAP AND WATER. STAINLESS STEEL POLISH SHOULD BE USED TO POLISH SMALL SCRATCHES.
- GLOSS BLACK FINISHES SHOULD BE CLEANED WITH MILD SOAP AND WATER

WESTIN



WARNING



Failure to follow these instructions could lead to death, personal injury, and / or property damage.

Failure to follow these instructions could lead to death, personal injury, and / or property damage.

FASTENERS:

All Westin supplied fasteners must be utilized and installed in accordance with the installation instructions and apply torque to the specifications as defined. **DOUBLE CHECK ALL FASTENERS BEFORE INITIAL USE, AND PERIODICALLY IN THE FUTURE TO ENSURE PROPER FUNCTION AND SAFETY.**

DRILLING:

Most Westin products do not require drilling for installation. If drilling is defined as required, use caution when drilling a vehicle. **FAILURE TO REVIEW AN AREA TO BE DRILLED MAY RESULT IN PERSONAL INJURY AND/OR INJURY TO OTHERS AS WELL AS VEHICLE DAMAGE.**

EYE PROTECTION:

ALWAYS WEAR SAFETY GLASSES OR GOGGLES DURING THE INSTALLATION PROCESS TO AVOID PERSONAL INJURY.

MAXIMUM TOWING/CARRYING CAPACITY: (if applicable)

The Westin Receiver Hitches will have a visible tow rating label affixed directly on the product. User should never exceed the vehicle manufacturers maximum tow and weight rating regardless of the capacity of the hitch. **FAILURE TO FOLLOW THESE GUIDELINES WILL VOID THE WESTIN WARRANTY AND MAY RESULT IN PERSONAL INJURY AND/OR INJURY TO OTHERS AS WELL AS VEHICLE DAMAGE.**

FOR CALIFORNIA RESIDENTS ONLY-PROP 65 WARNING:

Some products may contain chemicals such as DEHP, which can cause cancer, birth defects or other reproductive harm.

