

# INSTALLATION INSTRUCTIONS

## BUMPER MOUNT 30" LED BRACKET



### APPLICATION:

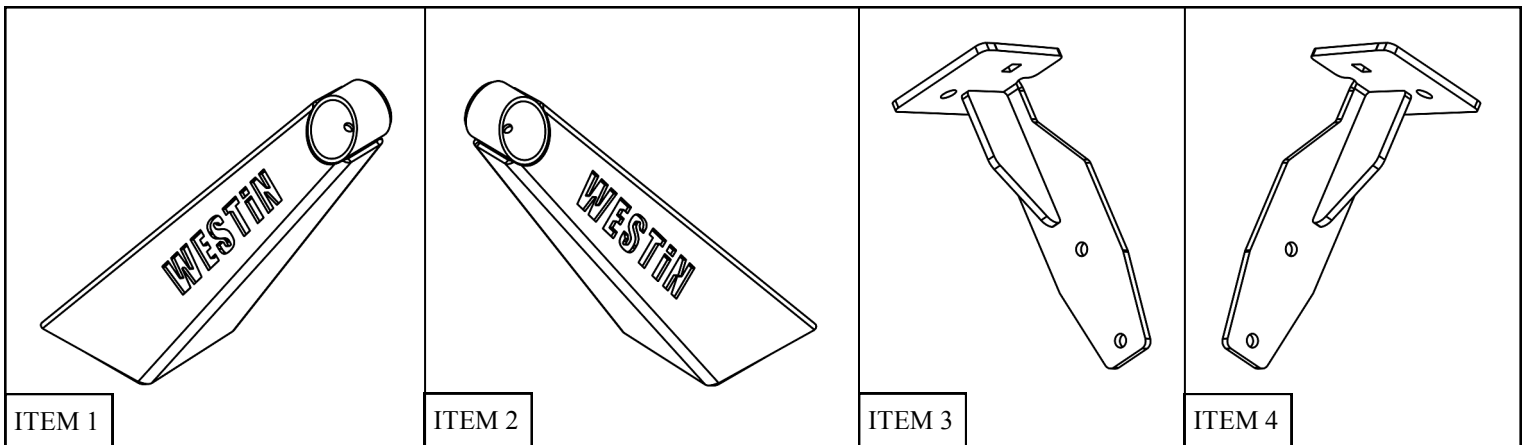
2007-2018 Jeep Wrangler JK (Excl. JL)

### PART NUMBER:

62-41065

ITEM	QUANTITY	DESCRIPTION	TOOLS NEEDED
1	1	DRIVER SIDE LIGHT MOUNT BRACKET	RATCHET
2	1	PASSENGER SIDE LIGHT MOUNT BRACKET	TORQUE WRENCH
3	1	DRIVER SIDE MOUNTING BRACKET	ALLEN WRENCH
4	1	PASSENGER SIDE MOUNTING BRACKET	16MM SOCKET
5	4	M10 HEX HEAD CAP SCREW (YELLOW ZINC)	10MM SOCKET
6	4	M10 SPLIT LOCK WASHER (YELLOW ZINC)	18MM SOCKET
7	4	M10 FLAT WASHER OD 30MM (YELLOW ZINC)	18MM WRENCH
8	2	M10 HEX HEAD FLANGE BOLT (YELLOW ZINC)	15MM WRENCH
9	2	M10 CARRIAGE SQUARE NECK BOLT (YELLOW ZINC)	
10	4	M10 FLANGE NUT (YELLOW ZINC)	

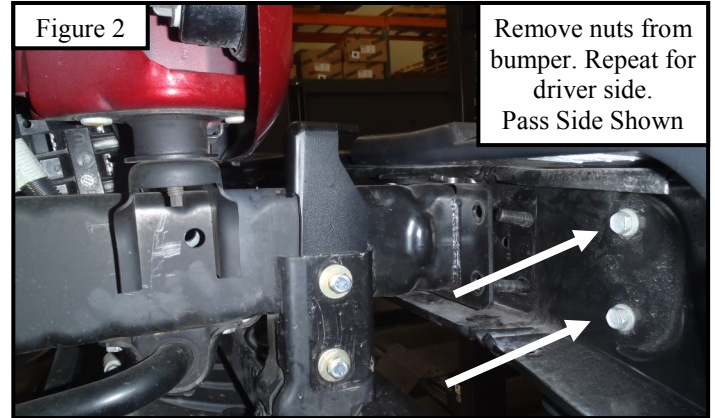
**ANTI-SEIZE LUBRICANT MUST BE USED ON ALL STAINLESS STEEL FASTENERS TO PREVENT THREAD DAMAGE AND GALLING**



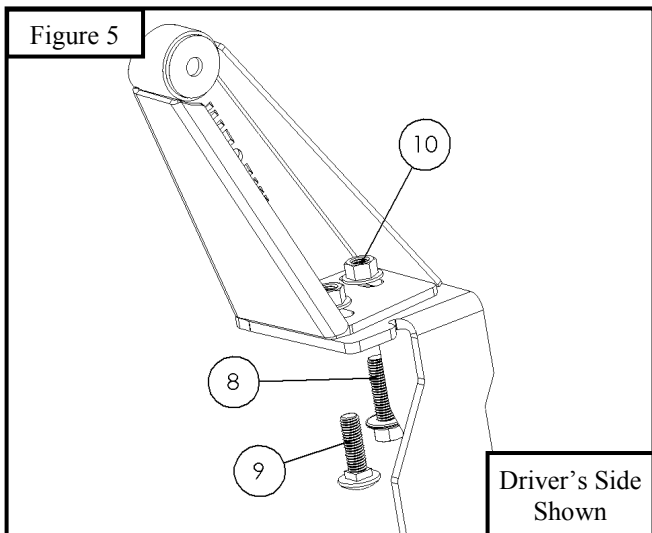
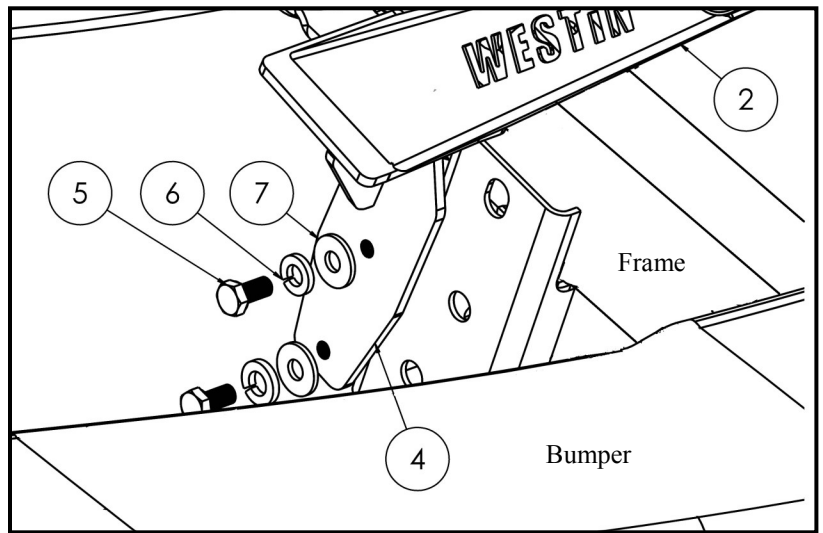
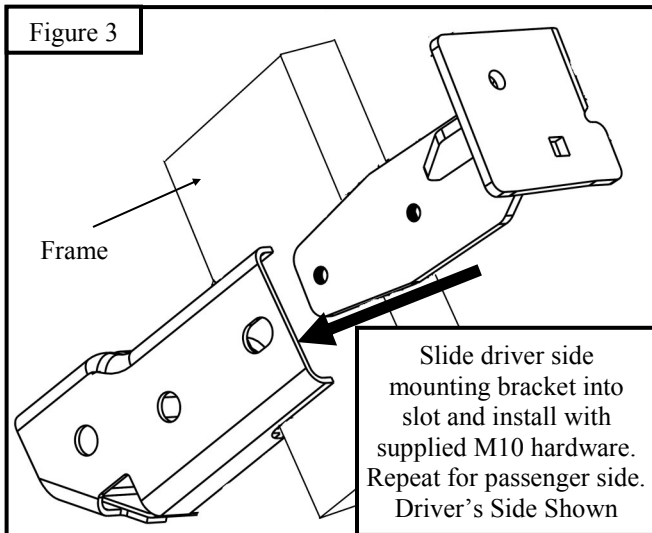
### PROCEDURE

1. Remove contents from box, verify if all parts listed are present and free from damage.  
Carefully read and understand all instructions before attempting installation.  
**Failure to identify damage before installation could lead to a rejection of any claim.**

- Trim designated area on the plastic filler panel between the bumper and grille or remove plastic cover completely, see **Figure 1**.
- Remove M12 nuts on bumper to loosen it then pull the bumper forward, see **Figure 2**.



- Slide the mounting brackets into the designated slot in the frame. Align the holes on the bracket with the holes on the frame, loosely install with supplied M10 hardware. See **Figures 3 & 4**.
- Push the bumper back into the stock location.



- Loosely install the light mount brackets to the previously installed mounting brackets with the supplied M0 hardware. See **Figure 5**.
- Loosely install 30" LED light bar using light bar hardware.
- Align and adjust as needed then torque hardware according to the following specifications: M10 hardware to 20-25 ft-lbs. and M12 hardware to 50-55 ft-lbs.

INSTALLATION COMPLETE



#### CARE INSTRUCTIONS

- REGULAR WAXING IS RECOMMENDED. DO NOT USE ANY TYPE OF POLISH OR WAX THAT MAY CONTAIN ABRASIVES.
- STAINLESS STEEL PRODUCTS CAN BE CLEANED WITH MILD SOAP AND WATER. STAINLESS STEEL POLISH SHOULD BE USED TO POLISH SMALL SCRATCHES.
- GLOSS BLACK FINISHES SHOULD BE CLEANED WITH MILD SOAP AND WATER.

**WESTiN**

# Westin

SIGNATURE OF QUALITY

AUTOMOTIVE PRODUCTS, INC.



## WARNING



Failure to follow these instructions could lead to death, personal injury, and / or property damage.

### FASTENERS:

All Westin supplied fasteners must be utilized and installed in accordance with the installation instructions and apply torque to the specifications as defined. **DOUBLE CHECK ALL FASTENERS BEFORE INITIAL USE, AND PERIODICALLY IN THE FUTURE TO ENSURE PROPER FUNCTION AND SAFETY.**

### DRILLING:

Most Westin products do not require drilling for installation. If drilling is defined as required, use caution when drilling a vehicle. **FAILURE TO REVIEW AN AREA TO BE DRILLED MAY RESULT IN PERSONAL INJURY AND/OR INJURY TO OTHERS AS WELL AS VEHICLE DAMAGE.**

### EYE PROTECTION:

**ALWAYS WEAR SAFETY GLASSES OR GOGGLES DURING THE INSTALLATION PROCESS TO AVOID PERSONAL INJURY.**

### MAXIMUM TOWING/CARRYING CAPACITY:

The Westin Receiver Hitches will have a visible tow rating label affixed directly on the product. User should never exceed the vehicle manufacturers maximum tow and weight rating regardless of the capacity of the hitch. **FAILURE TO FOLLOW THESE GUIDELINES WILL VOID THE WESTIN WARRANTY AND MAY RESULT IN PERSONAL INJURY AND/OR INJURY TO OTHERS AS WELL AS VEHICLE DAMAGE.**

---

---

## WESTIN

Learn more about off-road bumpers we have.