



AUTOMOTIVE PRODUCTS,

INSTALLATION INSTRUCTIONS

SNYPER BUMPER MOUNT LIGHT BAR

APPLICATION:

2007-2016 Jeep Wrangler JK

PART NUMBER:

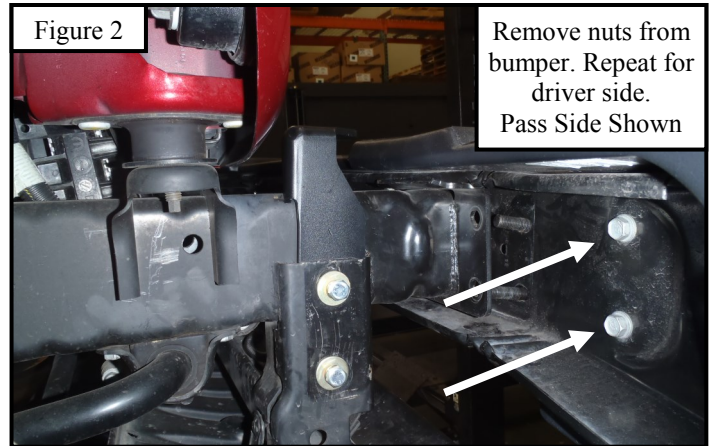
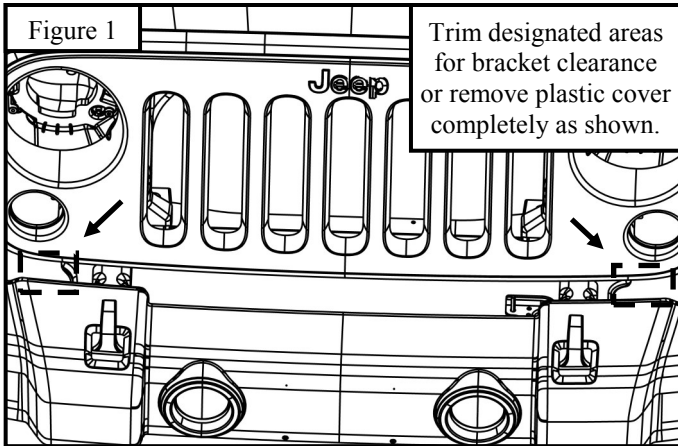
62-41055

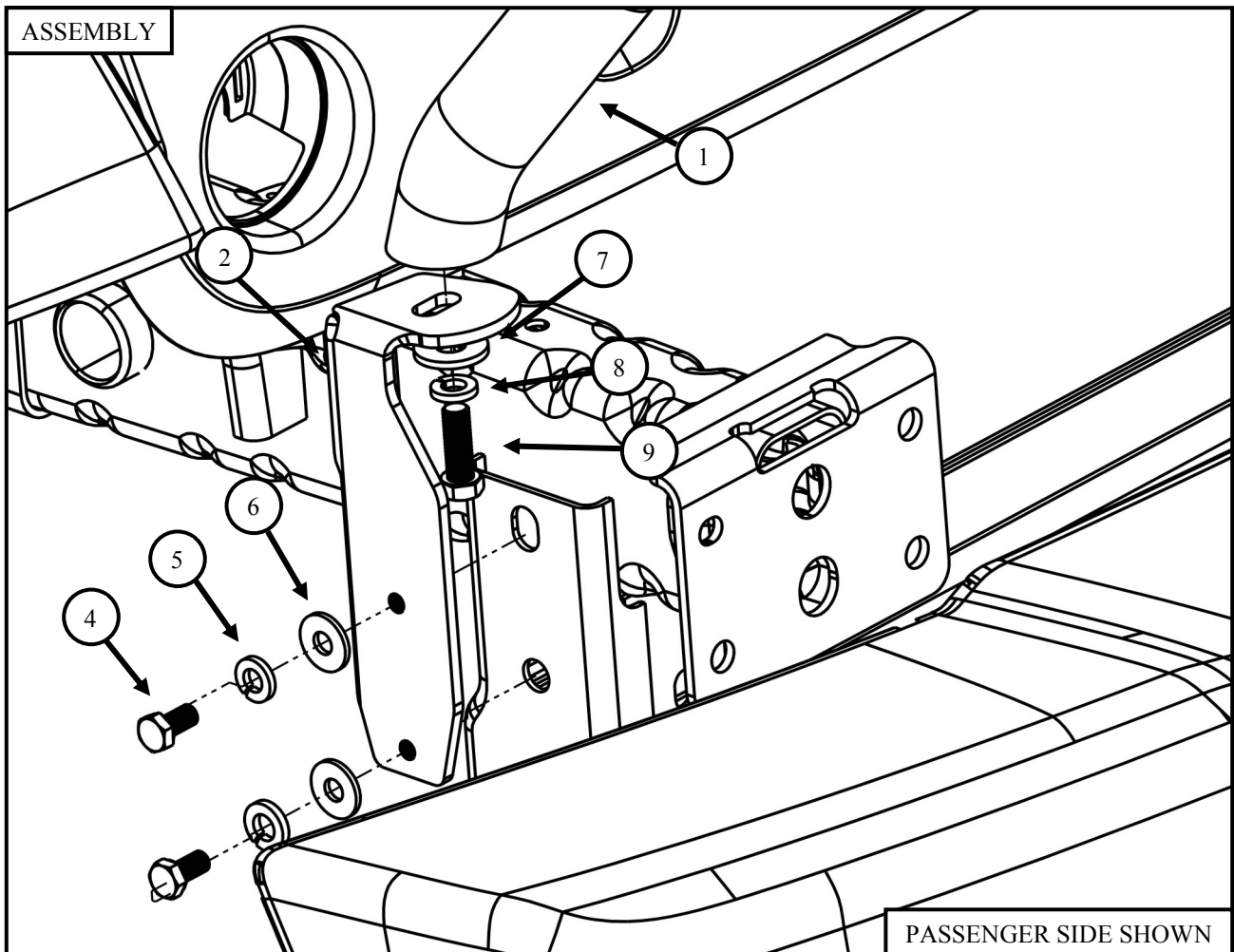
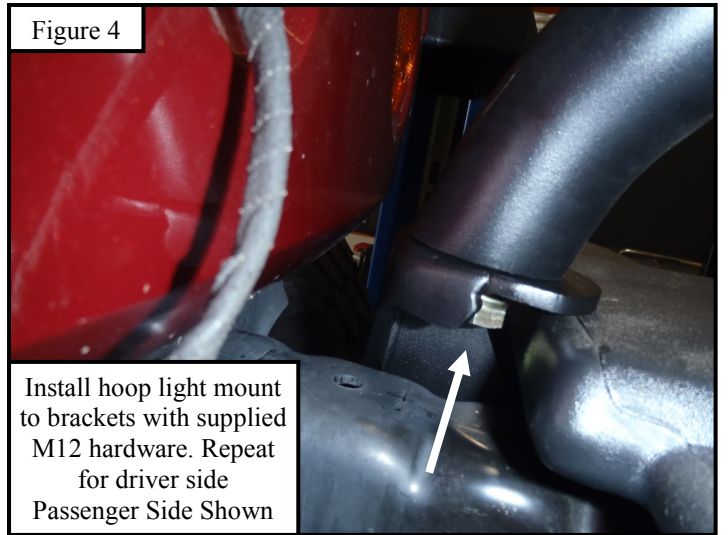
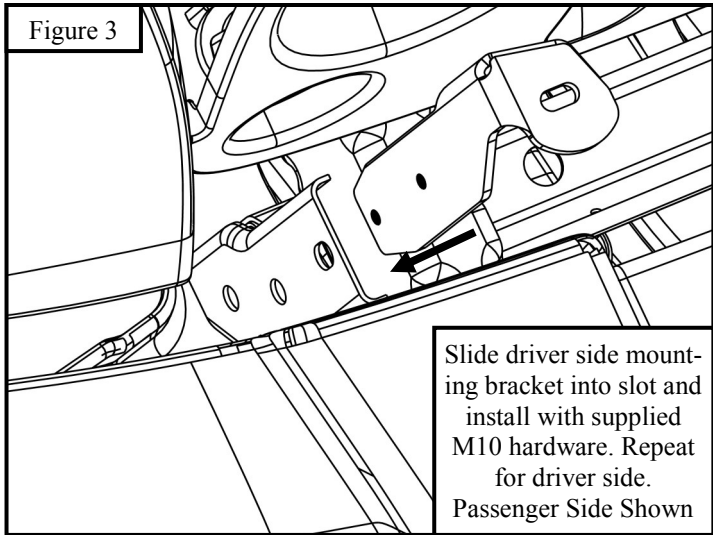
ITEM	QUANTITY	DESCRIPTION	TOOLS NEEDED
1	1	HOOP LIGHT MOUNT	RATCHET
2	1	DRIVER SIDE MOUNTING BRACKET	TORQUE WRENCH
3	1	PASSENGER SIDE MOUNTING BRACKET	ALLEN WRENCH
4	4	M10 HEX HEAD CAP SCREW (YELLOW ZINC)	16MM SOCKET
5	4	M10 SPLIT LOCK WASHER (YELLOW ZINC)	10MM SOCKET
6	4	M10 FLAT WASHER OD 30MM (YELLOW ZINC)	18MM SOCKET
7	2	M12 HEX HEAD CAP SCREW (YELLOW ZINC)	18MM WRENCH
8	2	M12 SPLIT LOCK WASHER (YELLOW ZINC)	
9	2	M12 FLAT WASHER (YELLOW ZINC)	

ANTI-SEIZE LUBRICANT MUST BE USED ON ALL STAINLESS STEEL FASTENERS TO PREVENT THREAD DAMAGE AND GALLING

PROCEDURE

1. Remove contents from box, verify if all parts listed are present and free from damage. Carefully read and understand all instructions before attempting installation.
Failure to identify damage before installation could lead to a rejection of any claim.
2. Trim designated area on the plastic filler panel between the bumper and the grille or remove plastic cover completely, see Figure 1.
3. Remove M12 nuts on bumper to loosen it then pull the bumper forward, see Figure 2.
4. Slide passenger side mounting bracket into the designate slot in the frame. Align the holes on the bracket with the holes on the frame, loosely install with supplied M10 hardware. See Figure 3 and Assembly.
5. Push the bumper back into the stock location.
6. Loosely install the hoop light mount to the previously installed mounting brackets with the supplied M12 hardware. See Figure 4 and Assembly.
7. Align and adjust as needed then torque: M10 hardware to 20-25 ft-lbs. and M12 hardware to 50-55 ft-lbs.





INSTALLATION COMPLETE



CARE INSTRUCTIONS

- REGULAR WAXING IS RECOMMENDED. DO NOT USE ANY TYPE OF POLISH OR WAX THAT MAY CONTAIN ABRASIVES.
- STAINLESS STEEL PRODUCTS CAN BE CLEANED WITH MILD SOAP AND WATER. STAINLESS STEEL POLISH SHOULD BE USED TO POLISH SMALL SCRATCHES.
- GLOSS BLACK FINISHES SHOULD BE CLEANED WITH MILD SOAP AND WATER.

Westin

SIGNATURE OF QUALITY

AUTOMOTIVE PRODUCTS, INC.



WARNING



Failure to follow these instructions could lead to death, personal injury, and / or property damage.

FASTENERS:

All Westin supplied fasteners must be utilized and installed in accordance with the installation instructions and apply torque to the specifications as defined. **DOUBLE CHECK ALL FASTENERS BEFORE INITIAL USE, AND PERIODICALLY IN THE FUTURE TO ENSURE PROPER FUNCTION AND SAFETY.**

DRILLING:

Most Westin products do not require drilling for installation. If drilling is defined as required, use caution when drilling a vehicle. **FAILURE TO REVIEW AN AREA TO BE DRILLED MAY RESULT IN PERSONAL INJURY AND/OR INJURY TO OTHERS AS WELL AS VEHICLE DAMAGE.**

EYE PROTECTION:

ALWAYS WEAR SAFETY GLASSES OR GOGGLES DURING THE INSTALLATION PROCESS TO AVOID PERSONAL INJURY.

MAXIMUM TOWING/CARRYING CAPACITY:

The Westin Receiver Hitches will have a visible tow rating label affixed directly on the product. User should never exceed the vehicle manufacturers maximum tow and weight rating regardless of the capacity of the hitch. **FAILURE TO FOLLOW THESE GUIDELINES WILL VOID THE WESTIN WARRANTY AND MAY RESULT IN PERSONAL INJURY AND/OR INJURY TO OTHERS AS WELL AS VEHICLE DAMAGE.**

Westin

SIGNATURE OF QUALITY

Learn more about off-road bumpers we have.