

# INSTALLATION INSTRUCTIONS

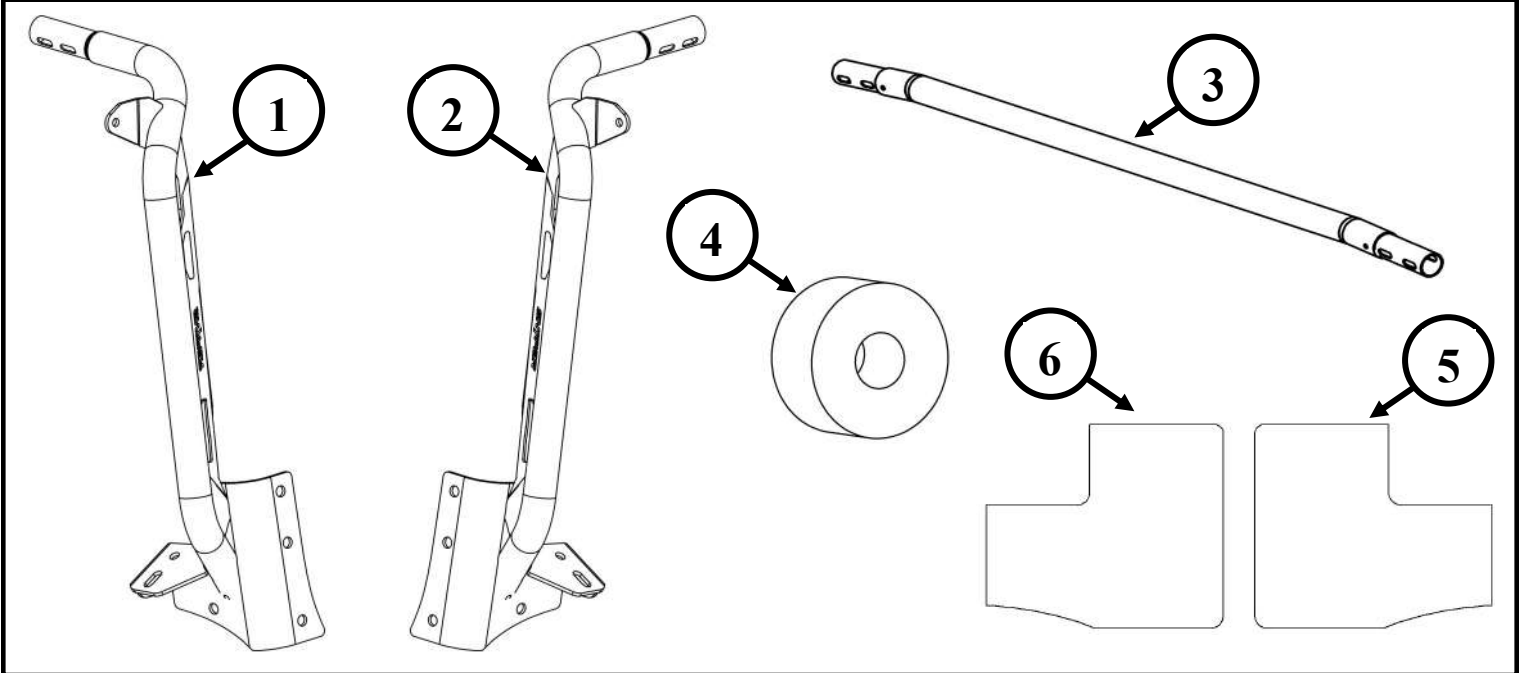
## OVERHEAD LED LIGHT HOOP

# WESTiN®

**APPLICATION:**  
2007-2018 Jeep Wrangler JK (Excl. JL)  
**PART NUMBER:**  
62-41005

| ITEM | QUANTITY | DESCRIPTION   | TOOLS NEEDED     |
|------|----------|---|------------------|
| 1,2  | 2        | HOOP ASSEMBLY, DRIVER (1) AND PASSENGER (2)             | 8MM SOCKET       |
| 3    | 1        | HOOP CENTER BAR   | ALLEN KEY        |
| 4    | 2        | SPACER  | RATCHET          |
| 5,6  | 2        | GASKET, DRIVER (5) AND PASSENGER (6)                    | TORQUE WRENCH    |
| 7    | 10       | SHORT M8 HEX SOCKET BUTTON HEAD SCREW (STAINLESS STEEL) | T-40 TORX SOCKET |
| 8    | 10       | M8 CUP WASHER (STAINLESS STEEL)                         |                  |
| 9    | 4        | LONG M8 HEX SOCKET BUTTON HEAD SCREW (STAINLESS STEEL)  |                  |
| 10   | 6        | M8 SPLIT LOCK WASHER (STAINLESS STEEL)                  |                  |
| 11   | 4        | M8 HEX NUT (STAINLESS STEEL)                            |                  |
| 12   | 2        | M8 HEX HEAD CAP SCREW (STAINLESS STEEL)                 |                  |
| 13   | 2        | WIRE/CABLE GROMMET                                      |                  |
| 14   | 2        | RUBBER HOLE PLUG  |                  |

**ANTI-SEIZE LUBRICANT MUST BE USED ON ALL STAINLESS STEEL FASTENERS TO PREVENT THREAD DAMAGE AND GALLING**



**IMPORTANT: This product will cause difficulty opening and closing many soft tops. Special methods are necessary. (See Soft Top Special Procedure)**

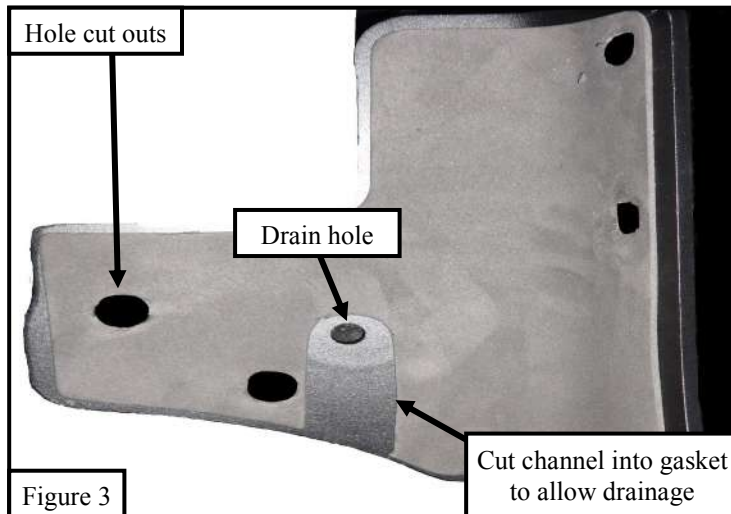
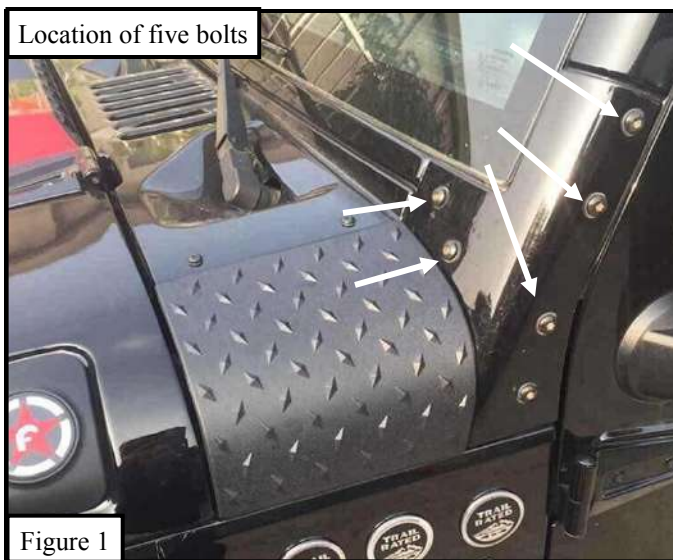
### CARE INSTRUCTIONS

- REGULAR WAXING IS RECOMMENDED. DO NOT USE ANY TYPE OF POLISH OR WAX THAT MAY CONTAIN ABRASIVES.
- STAINLESS STEEL PRODUCTS CAN BE CLEANED WITH MILD SOAP AND WATER. STAINLESS STEEL POLISH SHOULD BE USED TO POLISH SMALL SCRATCHES.
- GLOSS BLACK FINISHES SHOULD BE CLEANED WITH MILD SOAP AND WATER.

# WESTiN

## PROCEDURE

1. Remove contents from box, verify if all parts listed are present and free from damage.  
Carefully read and understand all instructions before attempting installation.  
**Failure to identify damage before installation could lead to a rejection of any claim.**
2. Starting on the drivers side of the vehicle, locate and remove the five existing bolts located on the A-pillar using a T-40 torx socket. **See Figure 1.**
3. Locate the driver side gasket and hoop assembly (Items 1 and 5). Place the gasket onto the hoop base assembly as shown in **Figure 2** and cut out the five holes on the gasket to allow re-installment of the five bolts. An additional channel for drain support will also need to be cut out. **See Figure 3.**
4. Align the five holes of the hoop assembly base with the corresponding holes on the A-pillar. Loosely attach the hoop assembly using (5) M8 hex socket button head screws and (5) M8 cup washers. **See Figure 4.** Do not fully tighten at this time.
5. **Note: This step, as well as Step 8, requires an assistant.** Carefully lift up the hoop center bar and position it over the windshield, making sure to align the two holes on the center hoop end with those of the hoop assembly. **Refer to Figure 7.**  
**Note: Placing the threaded ends of the screws toward the front of the vehicle will aid in future top removal.** Secure the hoop center bar to the driver hoop assembly using (2) M8 hex socket button head screws, (2) M8 split lock washers, and (2) M8 hex nuts. **See Figure 4.**



Hoop hardware assembly  
NOTE: LED light bar sold separately

Optional (see step 8)

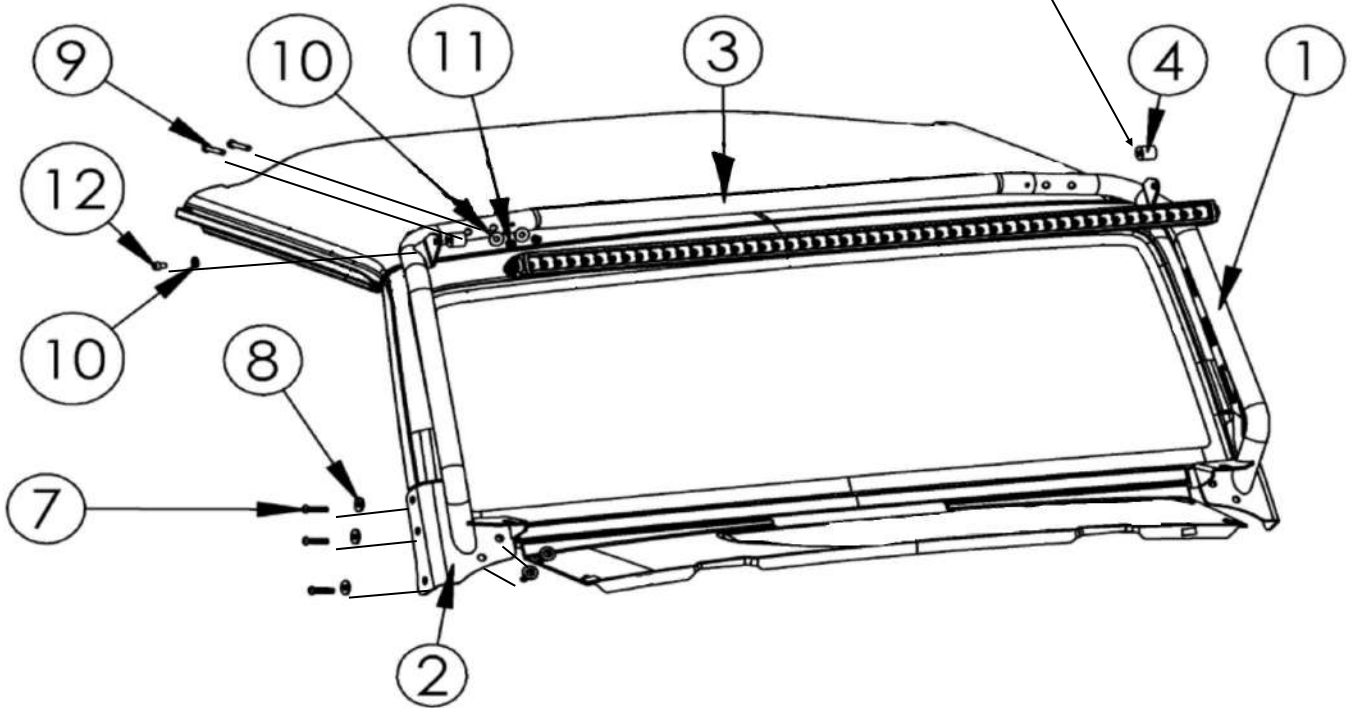


Figure 4

- Repeat Steps 2-4 for passenger side, then secure the other end of the center bar to the passenger hoop assembly as described in Step 5.
- Wiring for the LED light bar can be run through either of the hoop side assemblies. If wiring is run through the passenger hoop side assembly, use a rubber grommet on the hole near the hoop base assembly (**Figure 5**) and also at the top of the tubing next to the light bar mounting tab (**Figure 6**). On the opposite hoop assembly, cover both holes previously mentioned with the (2) rubber hole plugs provided.

Grommet (1) install  
(Passenger Side)



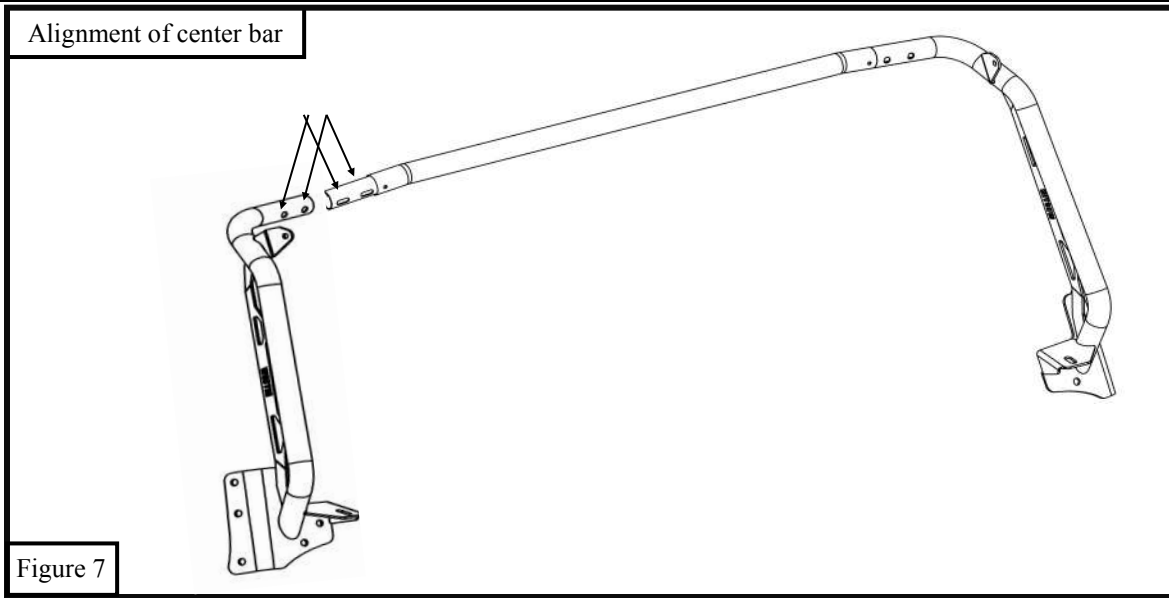
Figure 5

Figure 6



Grommet (2) install  
(Passenger Side)

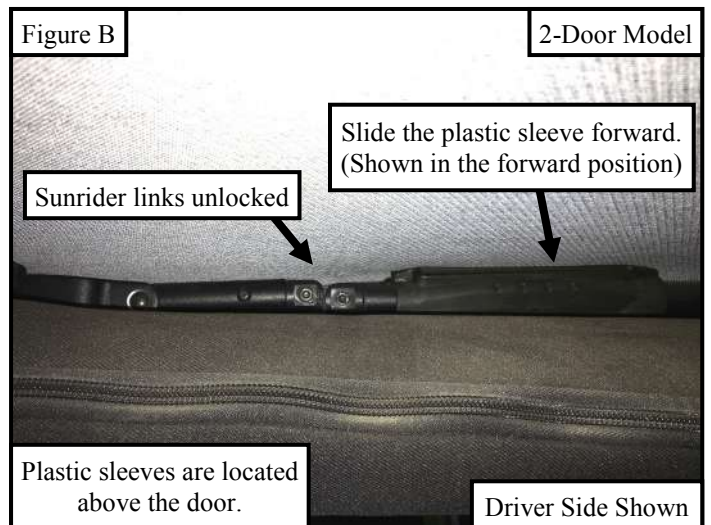
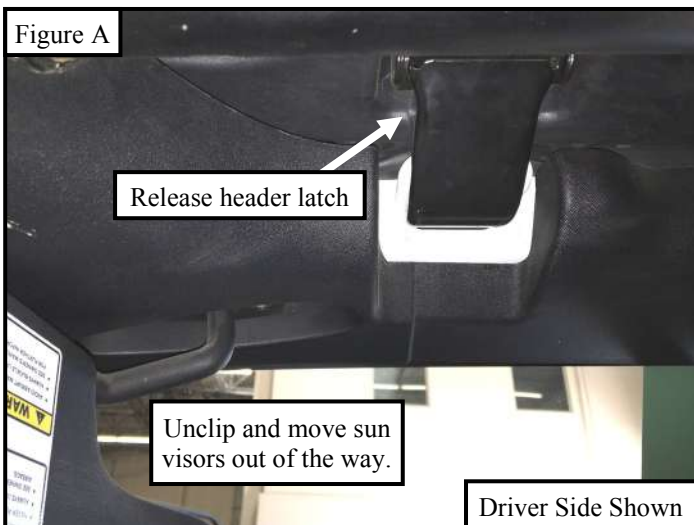
8. **Note: LED Light bar sold separately.** To install the light bar, carefully lift it and position it between the two hoop assembly upper pillars. Align the holes on both ends of the light bar with the upper pillar mount tabs on the hoop assemblies.  
**Note: Some light bars require the use of the supplied spacers and the use of the (2) supplied M8 hex head cap screws, to fully span the distance between the brackets.**
9. Align and adjust the light bar as necessary and then tighten all M8 hardware to 15 ft-lbs.
10. Refer to **Figure 8** for a picture showing the complete assembly of the Snyder Overhead LED light hoop mount kit.



#### Soft Top Special Procedure:

“Flipping up” the front half of the vehicle’s Sunrider soft top will require de-latching the top frame hooks located behind the seat headrests in order to clear the light bar hoop.

1. Unclip sun visors and move them out of the way. Release the header latches from the loops on the windshield frame on both sides. See **Figure A**.
2. **2-Door Models Only:** Slide the plastic sleeves forward to unlock the Sunrider links on both sides. See **Figure B**.
3. Take the header and soft top and fold them back. Locate the straps to secure the bows by wrapping them on both sides.  
**4-Door Models Only:** Fold the material in order that forms a “W” and make sure material makes two folds.
4. Reposition the sun visors.



INSTALLATION COMPLETE





## WARNING



Failure to follow these instructions could lead to death, personal injury, and / or property damage.

**FASTENERS:**

All Westin supplied fasteners must be utilized and installed in accordance with the installation instructions and apply torque to the specifications as defined. **DOUBLE CHECK ALL FASTENERS BEFORE INITIAL USE, AND PERIODICALLY IN THE FUTURE TO ENSURE PROPER FUNCTION AND SAFETY.**

**DRILLING:**

Most Westin products do not require drilling for installation. If drilling is defined as required, use caution when drilling a vehicle. **FAILURE TO REVIEW AN AREA TO BE DRILLED MAY RESULT IN PERSONAL INJURY AND/OR INJURY TO OTHERS AS WELL AS VEHICLE DAMAGE.**

**EYE PROTECTION:**

**ALWAYS WEAR SAFETY GLASSES OR GOGGLES DURING THE INSTALLATION PROCESS TO AVOID PERSONAL INJURY.**

**MAXIMUM TOWING/CARRYING CAPACITY:**

The Westin Receiver Hitches will have a visible tow rating label affixed directly on the product. User should never exceed the vehicle manufacturers maximum tow and weight rating regardless of the capacity of the hitch. **FAILURE TO FOLLOW THESE GUIDELINES WILL VOID THE WESTIN WARRANTY AND MAY RESULT IN PERSONAL INJURY AND/OR INJURY TO OTHERS AS WELL AS VEHICLE DAMAGE.**