

# INSTALLATION INSTRUCTIONS

WJ2 Front Stubby And Full-Width Bumper

APPLICATION:

2007-2018 Jeep Wrangler JK

2018 And Up Jeep Wrangler JL (Stubby only) PART

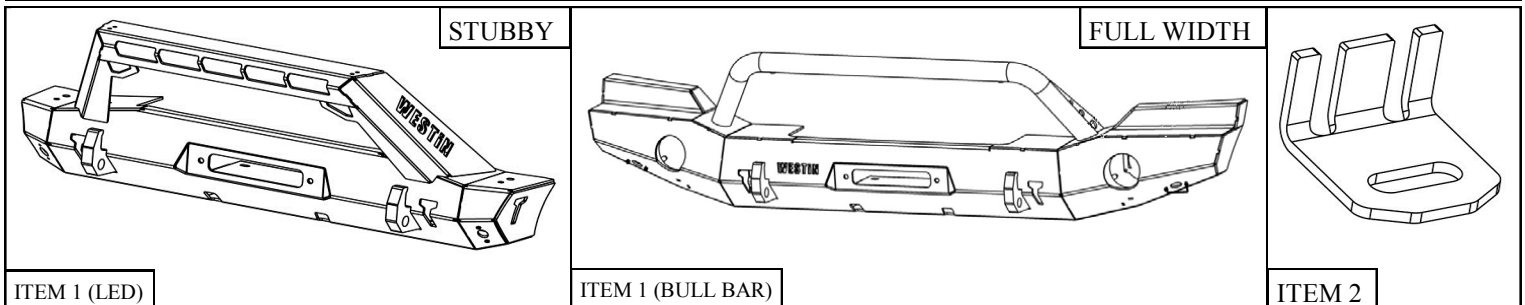
NUMBER:

59-80005, 59-80015, 59-80025, 59-80035, 59-80045, 59-80055, 59-80065,  
59-80075, 59-80085



CONTENT			
ITEM	QUANTITY	DESCRIPTION	TOOLS NEEDED
1	1	FRONT BUMPER ASSEMBLY	PRY TOOL
2	2	LED MOUNTING TAB (ONLY INCLUDED WITH 59-80025 & 59-80055)	18MM SOCKET
3	4	M6 BUTTON HEAD SCREW (ONLY INCLUDED WITH 59-80025, 59-80055, & 59-80085)	18MM WRENCH
4	4	M6 SERRATED FLANGE NUT (ONLY INCLUDED WITH 59-80025, 59-80055, & 59-80085)	16MM SOCKET
5	8	M10 FLAT WASHER (BLACK ZINC)	16MM WRENCH
6	8	M10 SPLIT LOCK WASHER (BLACK ZINC)	RATCHET
7	4	M10 HEX HEAD CAP SCREW (BLACK ZINC)	ALLEN WRENCH
8	4	M10 HEX NUT (BLACK ZINC)	7MM SOCKET
9	(4) (12*)	M4 HEX NUT (BLACK ZINC) *Full-width has 8 more than Stubby	
10	(4) (12*)	SMALL M4 FLAT WASHER (BLACK ZINC) *Full-width has 8 more than Stubby	
11	(4) (12*)	M4 SPLIT LOCK WASHER (BLACK ZINC) *Full-width has 8 more than Stubby	
12	4	M4 SHORT BUTTON HEAD SCREW (BLACK ZINC)	
13	8	M4 LONG BUTTON HEAD SCREW (BLACK ZINC) (Only included with 59-80035, 59-80045 & 59-80055)	
14	8	NYLON SPACER (Only included with 59-80035, 59-80045 & 59-80055)	
15	1	RUBBER GROMMET (Only used with 59-80015 & 59-80045)	
16	8	LARGE M4 FLAT WASHER	

**ANTI-SEIZE LUBRICANT MUST BE USED ON ALL STAINLESS STEEL FASTENERS TO PREVENT THREAD DAMAGE AND GALLING**



## PROCEDURE

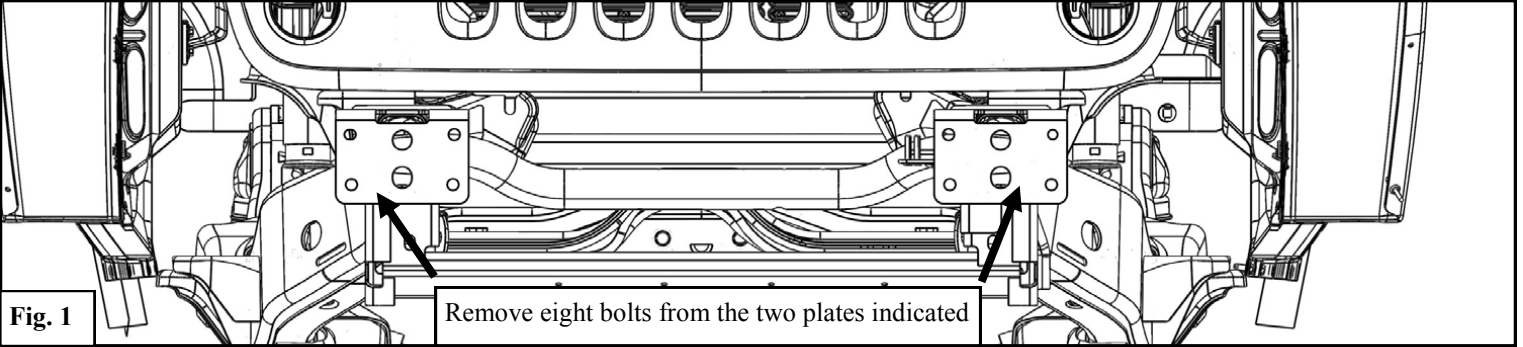
1. Remove contents from box, verify if all parts listed are present and free from damage.  
Carefully read and understand all instructions before attempting installation.  
**Failure to identify damage before installation could lead to a rejection of any claim.**



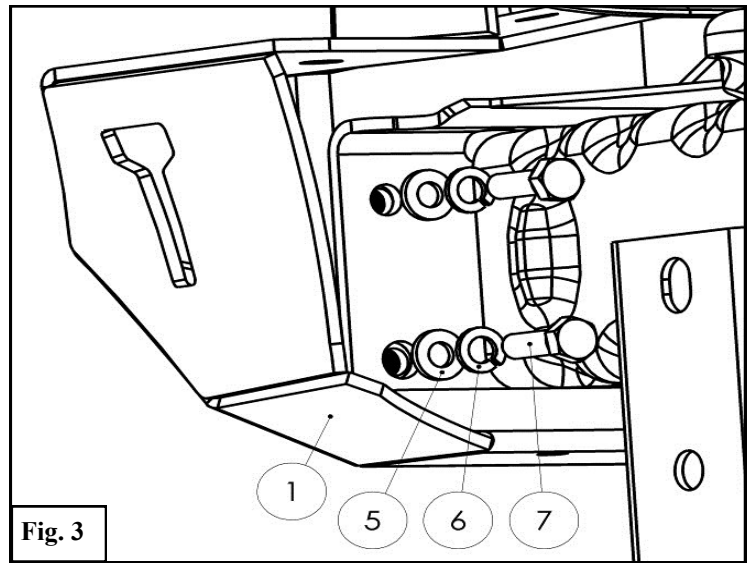
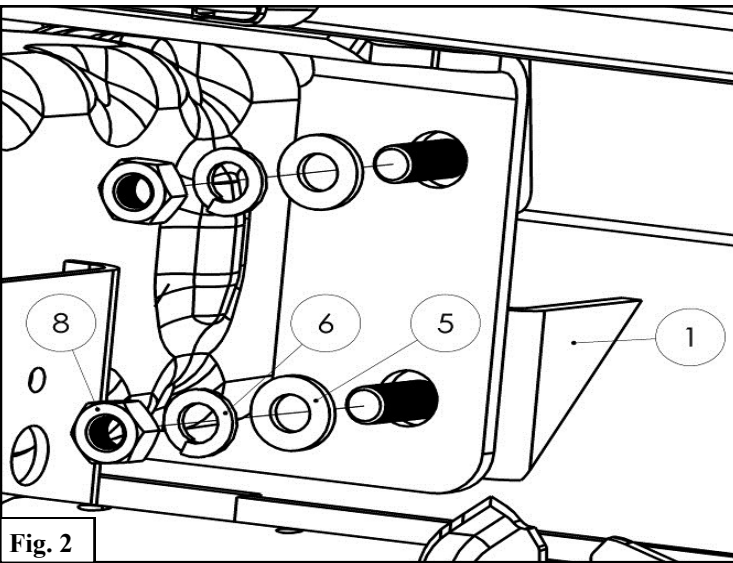
2. Remove Stock Bumper

- a. Remove plastic valence underneath factory front bumper. *Note:* Use a pry tool to remove the clips holding it in place.
- b. Disconnect all electrical connections to the stock front bumper.
- c. Remove the eight bolts fastening the stock bumper to the frame. See **Figure 1**.

*Note:* For JL, the Support Bracket Bolt on each side will need to be loosened. See **Figure 4**.



- 3. Loosely install front bumper assembly (1) using the supplied M10 hardware (5-8) according to **Figures 2-3**. *Note:* Driver's side shown in **Figures 2 & 3**. Tighten M10 hardware to 30-35 ft-lbs.
- 4. Install winch per winch manufacturer's instructions.

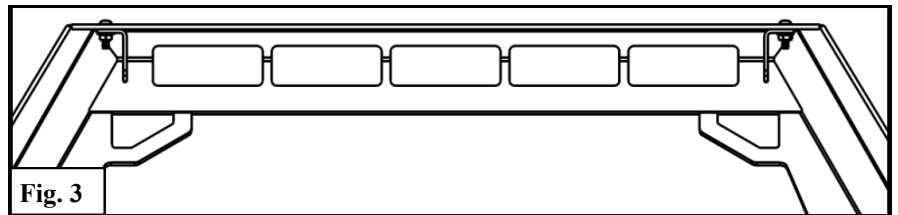
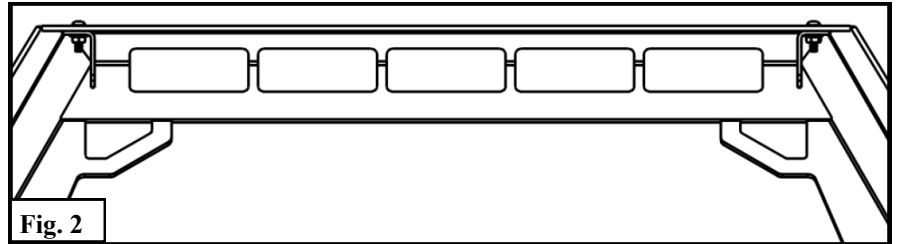
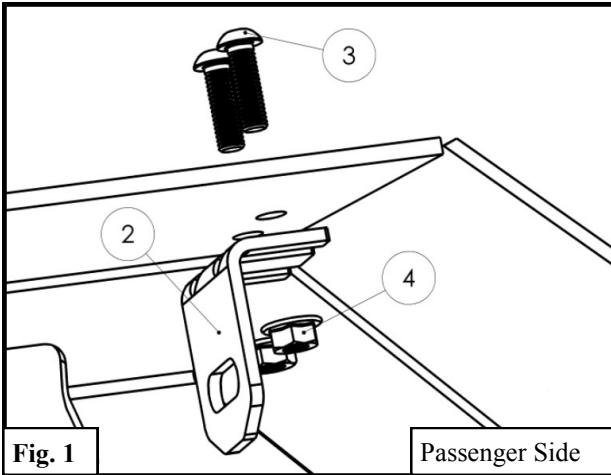


# LED Light Mounting Instructions

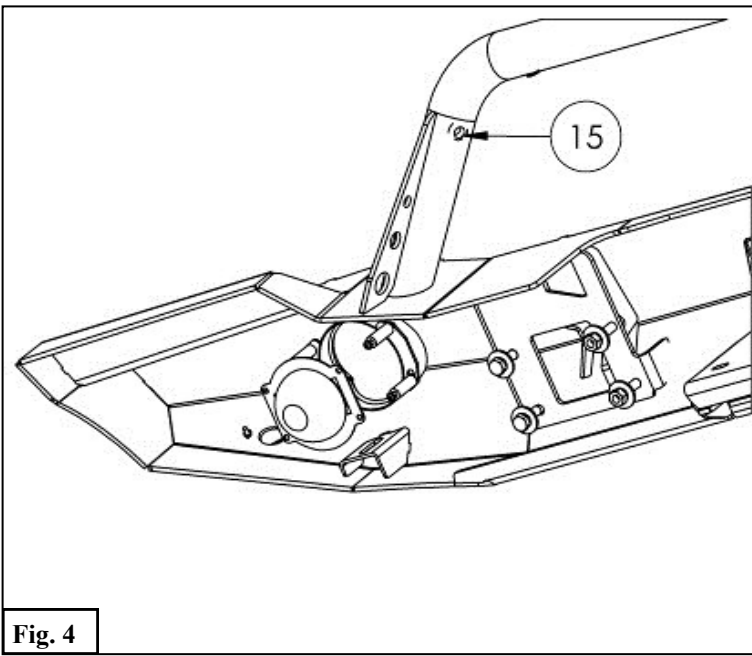
Lights Sold Separately

## 20 Inch LED Light Bar Installation (59-80025 & 59-80085 Only)

1. Loosely install the LED mounting tabs (2) to the front bumper assembly (1) using the supplied M6 hardware (3 & 4). See **Figure 1**. *Note:* The mounting tabs can be installed at a range of distances from one another in order to accommodate the width of the light bar. **Figure 2** shows the mounting tabs arranged in a wide configuration while **Figure 3** shows them arranged in a narrow configuration.
2. Install light bar according to manufacturer's instructions.
3. Tighten M6 hardware to 5-7 ft-lbs.

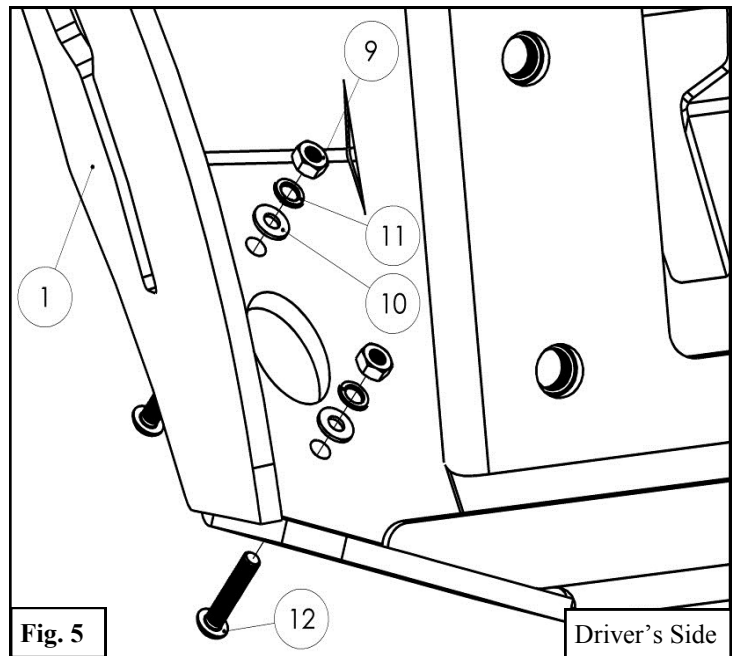


4. If wiring aftermarket lights, the supplied rubber grommet (15) can be installed in the existing hole and used to run excess wire through the bumper. See **Figure 4**.



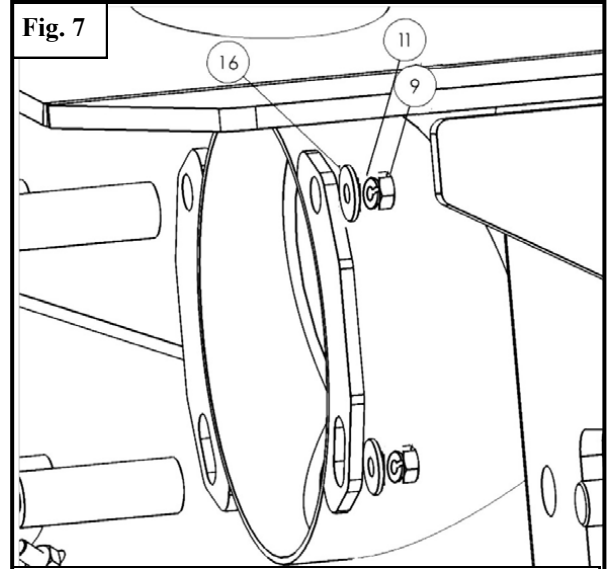
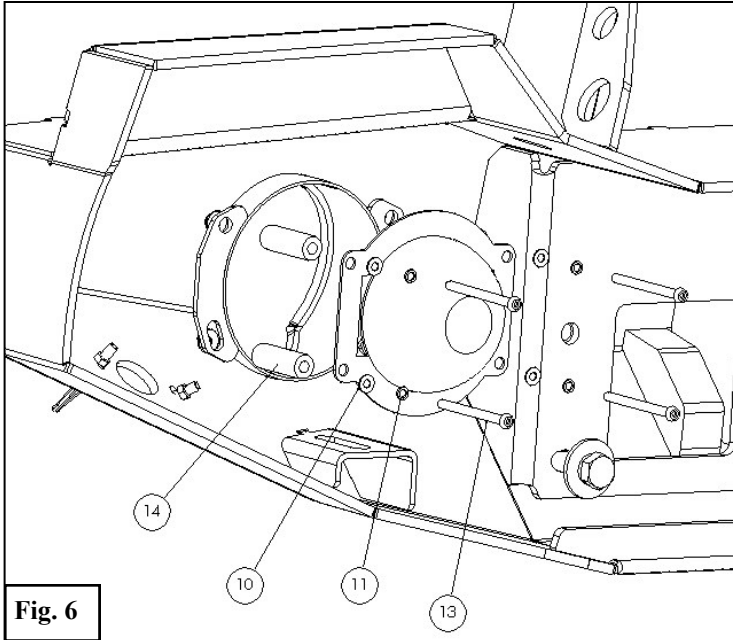
## Rock Light Installation

Install lights in the lower corners of the bumper using supplied M4 hardware (9-12). See **Figure 5**.  
*Note:* Wire lights per manufacturer's instructions.



### Factory Fog Light Installation

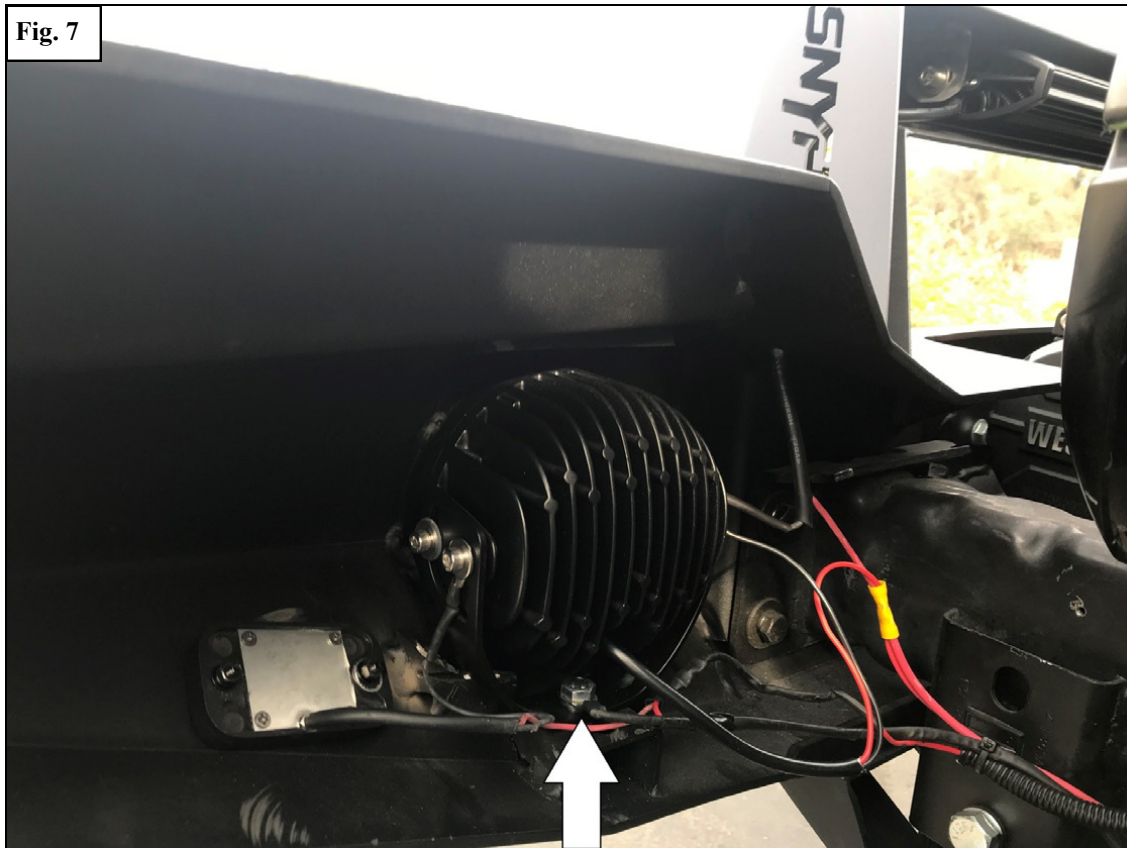
If installing factory fog lamps, use the supplied nylon spacers and M4 Hardware to secure the light to bracket as shown in **Figures 6 & 7**. \*JK Full-Width Only



The back of every button head screw will receive a large M4 Flat washer and Hex Nut (9).

### Aftermarket LED Installation

Installing aftermarket LED lights will utilize the bottom bracket as shown in **Figure 7**. \*JK Full-Width Only



**Note:** This product utilizes points for lifting using a Hi-Lift jack or similar product. See **Figure 8**.



**Note:** If mounting a winch, the hook can be attached to the bumper underneath the light bar. See **Figure 9**.



**Installation Complete (Lights, Winch and Skid Plate Sold Separately)**

Stubby Bumper Shown (JK)



Stubby Bumper Shown (JL)



**Installation Complete (Lights, Winch and Skid Plate Sold Separately)**



Full-Width Bumper Shown



## WARNING



Failure to follow these instructions could lead to death, personal injury, and / or property damage.

Failure to follow these instructions could lead to death, personal injury, and / or property damage.

### **FASTENERS:**

All Westin supplied fasteners must be utilized and installed in accordance with the installation instructions and apply torque to the specifications as defined. **DOUBLE CHECK ALL FASTENERS BEFORE INITIAL USE, AND PERIODICALLY IN THE FUTURE TO ENSURE PROPER FUNCTION AND SAFETY.**

### **DRILLING:**

Most Westin products do not require drilling for installation. If drilling is defined as required, use caution when drilling a vehicle. **FAILURE TO REVIEW AN AREA TO BE DRILLED MAY RESULT IN PERSONAL INJURY AND/OR INJURY TO OTHERS AS WELL AS VEHICLE DAMAGE.**

### **EYE PROTECTION:**

**ALWAYS WEAR SAFETY GLASSES OR GOGGLES DURING THE INSTALLATION PROCESS TO AVOID PERSONAL INJURY.**

### **MAXIMUM TOWING/CARRYING CAPACITY:**

The Westin Receiver Hitches will have a visible tow rating label affixed directly on the product. User should never exceed the vehicle manufacturers maximum tow and weight rating regardless of the capacity of the hitch. **FAILURE TO FOLLOW THESE GUIDELINES WILL VOID THE WESTIN WARRANTY AND MAY RESULT IN PERSONAL INJURY AND/OR INJURY TO OTHERS AS WELL AS VEHICLE DAMAGE.**