

INSTALLATION INSTRUCTIONS

WJ2 Front Stubby And Full-Width Bumper

APPLICATION:

2007-2018 Jeep Wrangler JK

2018 And Up Jeep Wrangler JL (Stubby only) PART

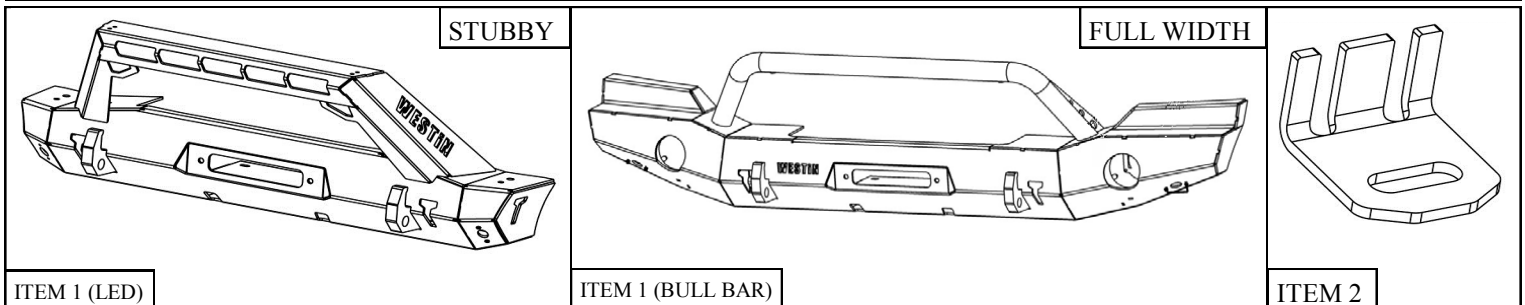
NUMBER:

59-80005, 59-80015, 59-80025, 59-80035, 59-80045, 59-80055, 59-80065,
59-80075, 59-80085



CONTENT			
ITEM	QUANTITY	DESCRIPTION	TOOLS NEEDED
1	1	FRONT BUMPER ASSEMBLY	PRY TOOL
2	2	LED MOUNTING TAB (ONLY INCLUDED WITH 59-80025 & 59-80055)	18MM SOCKET
3	4	M6 BUTTON HEAD SCREW (ONLY INCLUDED WITH 59-80025, 59-80055, & 59-80085)	18MM WRENCH
4	4	M6 SERRATED FLANGE NUT (ONLY INCLUDED WITH 59-80025, 59-80055, & 59-80085)	16MM SOCKET
5	8	M10 FLAT WASHER (BLACK ZINC)	16MM WRENCH
6	8	M10 SPLIT LOCK WASHER (BLACK ZINC)	RATCHET
7	4	M10 HEX HEAD CAP SCREW (BLACK ZINC)	ALLEN WRENCH
8	4	M10 HEX NUT (BLACK ZINC)	7MM SOCKET
9	(4) (12*)	M4 HEX NUT (BLACK ZINC) *Full-width has 8 more than Stubby	
10	(4) (12*)	SMALL M4 FLAT WASHER (BLACK ZINC) *Full-width has 8 more than Stubby	
11	(4) (12*)	M4 SPLIT LOCK WASHER (BLACK ZINC) *Full-width has 8 more than Stubby	
12	4	M4 SHORT BUTTON HEAD SCREW (BLACK ZINC)	
13	8	M4 LONG BUTTON HEAD SCREW (BLACK ZINC) (Only included with 59-80035, 59-80045 & 59-80055)	
14	8	NYLON SPACER (Only included with 59-80035, 59-80045 & 59-80055)	
15	1	RUBBER GROMMET (Only used with 59-80015 & 59-80045)	
16	8	LARGE M4 FLAT WASHER	

ANTI-SEIZE LUBRICANT MUST BE USED ON ALL STAINLESS STEEL FASTENERS TO PREVENT THREAD DAMAGE AND GALLING



ITEM 1 (LED)

ITEM 1 (BULL BAR)

ITEM 2

PROCEDURE

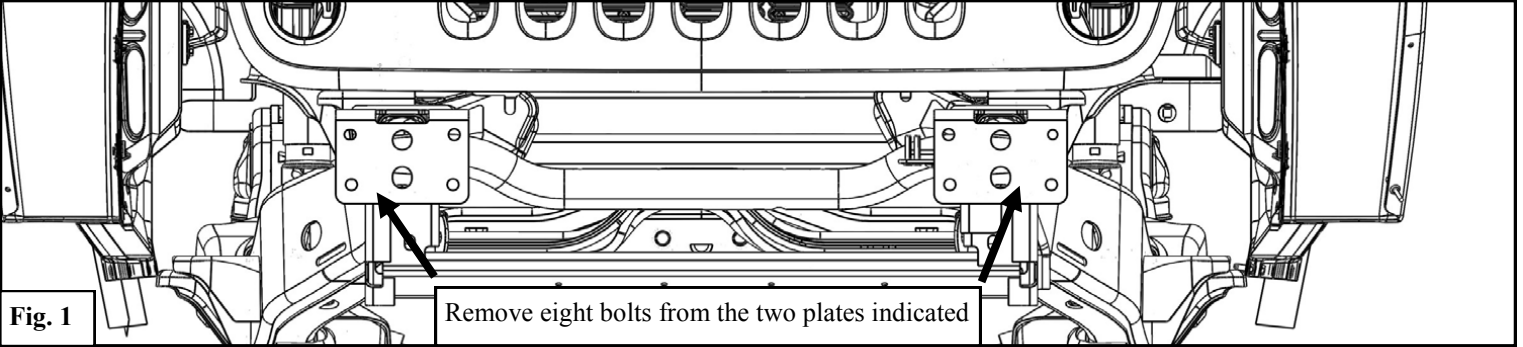
1. Remove contents from box, verify if all parts listed are present and free from damage.
Carefully read and understand all instructions before attempting installation.
Failure to identify damage before installation could lead to a rejection of any claim.



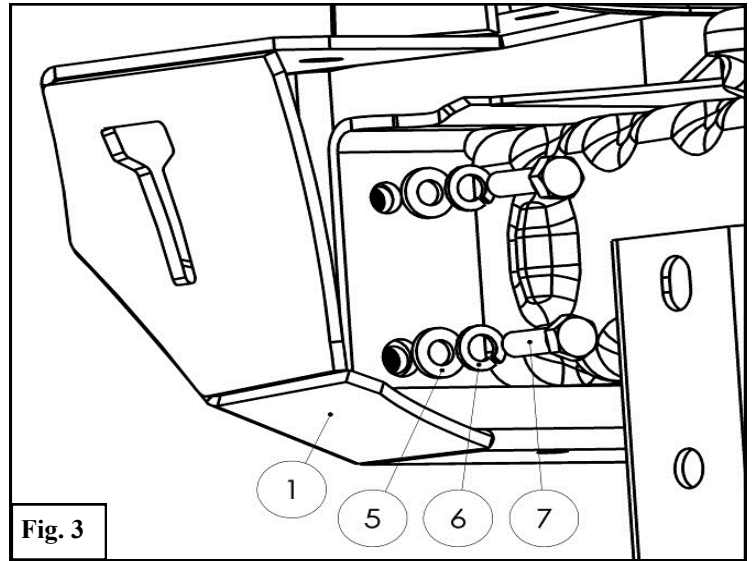
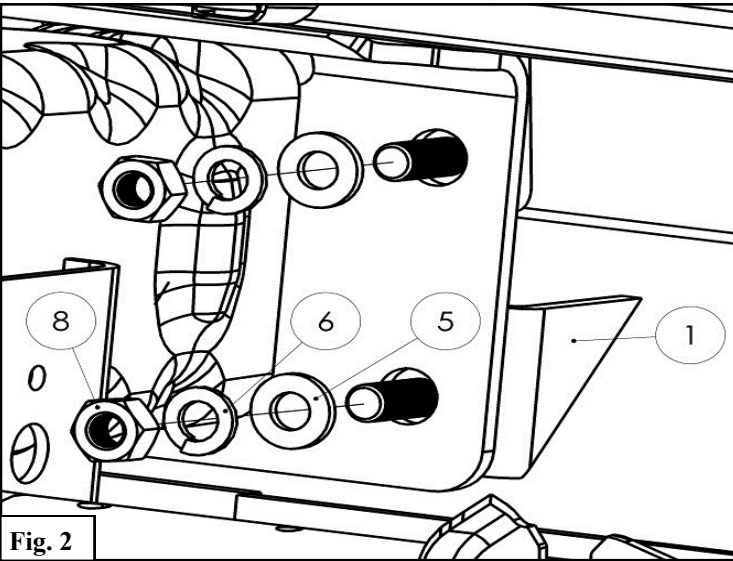
2. Remove Stock Bumper

- a. Remove plastic valence underneath factory front bumper. *Note:* Use a pry tool to remove the clips holding it in place.
- b. Disconnect all electrical connections to the stock front bumper.
- c. Remove the eight bolts fastening the stock bumper to the frame. See **Figure 1**.

Note: For JL, the Support Bracket Bolt on each side will need to be loosened. See **Figure 4**.



3. Loosely install front bumper assembly (1) using the supplied M10 hardware (5-8) according to **Figures 2-3**. *Note:* Driver's side shown in **Figures 2 & 3**. Tighten M10 hardware to 30-35 ft-lbs.
4. Install winch per winch manufacturer's instructions.

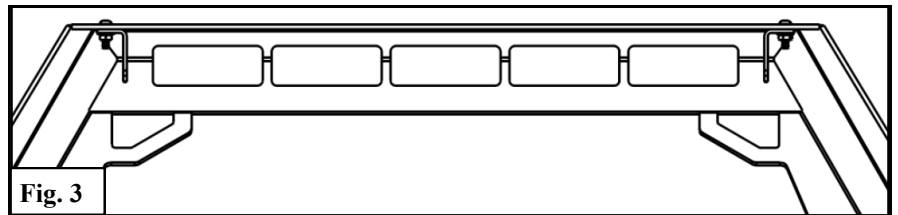
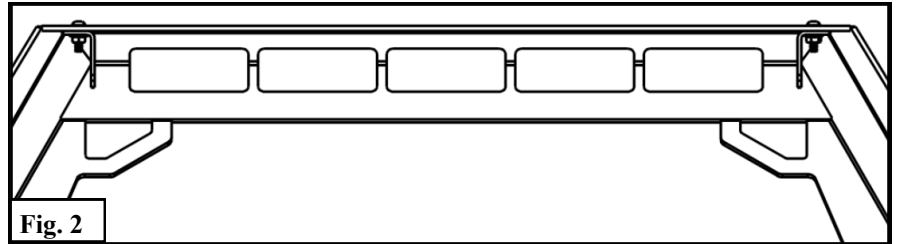
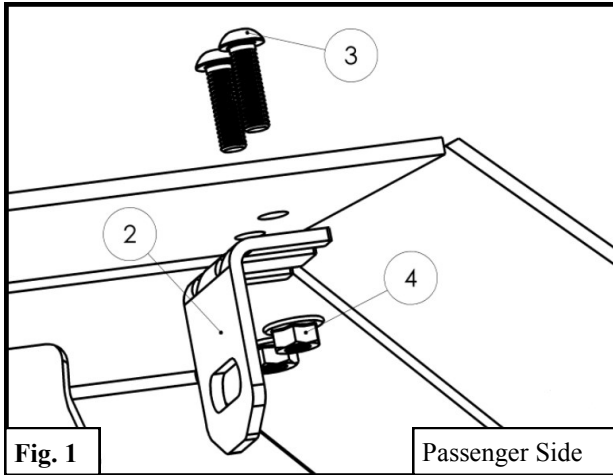


LED Light Mounting Instructions

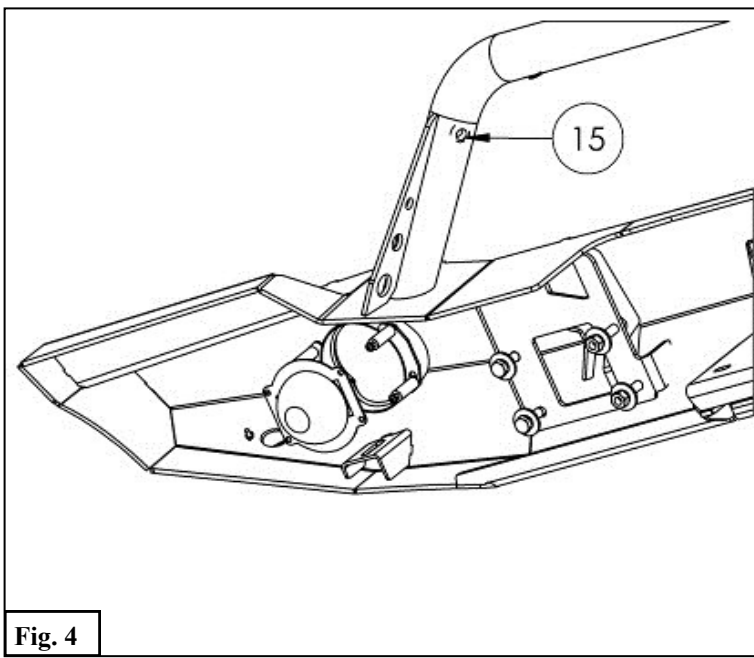
Lights Sold Separately

20 Inch LED Light Bar Installation (59-80025 & 59-80085 Only)

1. Loosely install the LED mounting tabs (2) to the front bumper assembly (1) using the supplied M6 hardware (3 & 4). See **Figure 1**. *Note:* The mounting tabs can be installed at a range of distances from one another in order to accommodate the width of the light bar. **Figure 2** shows the mounting tabs arranged in a wide configuration while **Figure 3** shows them arranged in a narrow configuration.
2. Install light bar according to manufacturer's instructions.
3. Tighten M6 hardware to 5-7 ft-lbs.

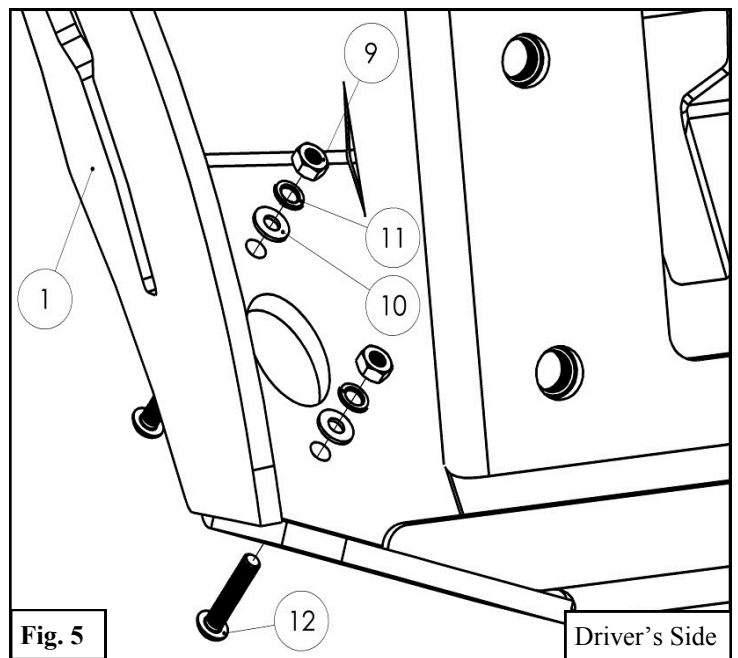


4. If wiring aftermarket lights, the supplied rubber grommet (15) can be installed in the existing hole and used to run excess wire through the bumper. See **Figure 4**.



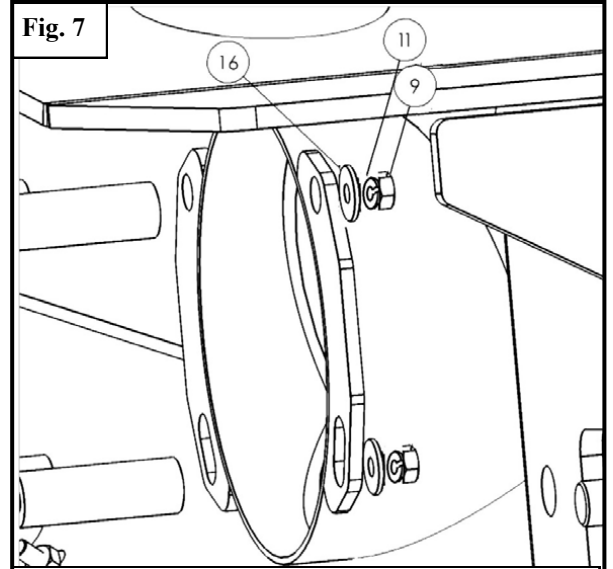
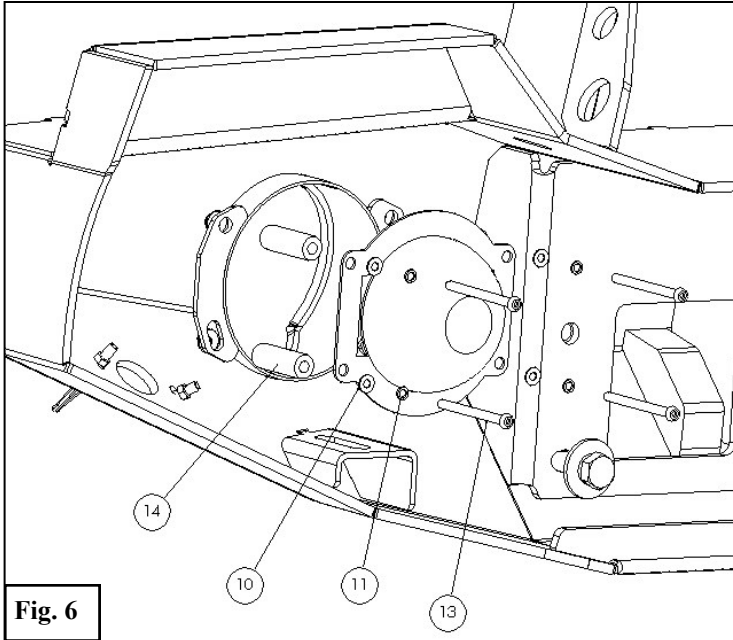
Rock Light Installation

Install lights in the lower corners of the bumper using supplied M4 hardware (9-12). See **Figure 5**.
Note: Wire lights per manufacturer's instructions.



Factory Fog Light Installation

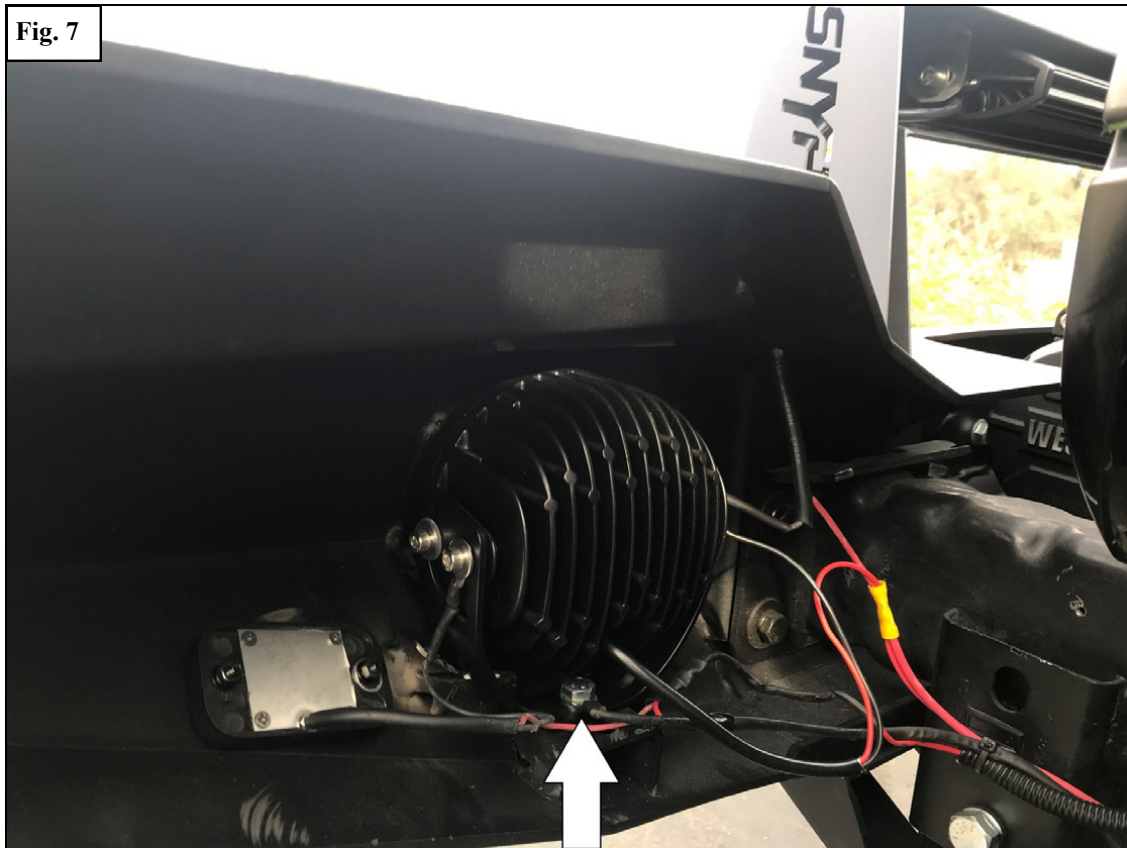
If installing factory fog lamps, use the supplied nylon spacers and M4 Hardware to secure the light to bracket as shown in **Figures 6 & 7**. *JK Full-Width Only



The back of every button head screw will receive a large M4 Flat washer and Hex Nut (9).

Aftermarket LED Installation

Installing aftermarket LED lights will utilize the bottom bracket as shown in **Figure 7**. *JK Full-Width Only



Note: This product utilizes points for lifting using a Hi-Lift jack or similar product. See **Figure 8**.



Note: If mounting a winch, the hook can be attached to the bumper underneath the light bar. See **Figure 9**.



Installation Complete (Lights, Winch and Skid Plate Sold Separately)

Stubby Bumper Shown (JK)



Stubby Bumper Shown (JL)



Installation Complete (Lights, Winch and Skid Plate Sold Separately)



Full-Width Bumper Shown



WARNING



Failure to follow these instructions could lead to death, personal injury, and / or property damage.

Failure to follow these instructions could lead to death, personal injury, and / or property damage.

FASTENERS:

All Westin supplied fasteners must be utilized and installed in accordance with the installation instructions and apply torque to the specifications as defined. **DOUBLE CHECK ALL FASTENERS BEFORE INITIAL USE, AND PERIODICALLY IN THE FUTURE TO ENSURE PROPER FUNCTION AND SAFETY.**

DRILLING:

Most Westin products do not require drilling for installation. If drilling is defined as required, use caution when drilling a vehicle. **FAILURE TO REVIEW AN AREA TO BE DRILLED MAY RESULT IN PERSONAL INJURY AND/OR INJURY TO OTHERS AS WELL AS VEHICLE DAMAGE.**

EYE PROTECTION:

ALWAYS WEAR SAFETY GLASSES OR GOGGLES DURING THE INSTALLATION PROCESS TO AVOID PERSONAL INJURY.

MAXIMUM TOWING/CARRYING CAPACITY:

The Westin Receiver Hitches will have a visible tow rating label affixed directly on the product. User should never exceed the vehicle manufacturers maximum tow and weight rating regardless of the capacity of the hitch. **FAILURE TO FOLLOW THESE GUIDELINES WILL VOID THE WESTIN WARRANTY AND MAY RESULT IN PERSONAL INJURY AND/OR INJURY TO OTHERS AS WELL AS VEHICLE DAMAGE.**