

# INSTALLATION INSTRUCTIONS

## OUTLAW FRONT BUMPER

**APPLICATION:**

2019 Ram 1500 (Excl. 2019 Ram 1500 Classic)(Excl. Rebel)

**PART NUMBER:**

58-61075

<b>CONTENT</b>			
<b>ITEM</b>	<b>QUANTITY</b>	<b>DESCRIPTION</b>	<b>TOOLS NEEDED</b>
1	1	BUMPER ASSEMBLY	10MM SOCKET
2	2	MESHED CORNER COVER (DRIVER & PASSENGER)	10MM WRENCH
3	2	MESHED SIDE COVER	13MM SOCKET
4	1	DRIVER FRAME BRACKET	13MM WRENCH
5	1	PASSENGER FRAME BRACKET	16MM SOCKET
6	1	DRIVER LED SLIDER BRACKET	16MM WRENCH
7	1	PASSENGER LED SLIDER BRACKET	18MM SOCKET
8	1	DRIVER LED L-BRACKET	19MM WRENCH
9	1	PASSENGER LED L-BRACKET	ALLEN WRENCH
10	1	DRIVER CENTER SENSOR TAB	RATCHET
11	1	PASSENGER CENTER SENSOR TAB	TORQUE WRENCH
12	4	SIDE SENSOR TAB	
13	2	FUSION 5 LED MOUNT	
14	6	HOLE PLUG	
15	6	M10 SERRATED FLANGE BOLT	
16	12	M10 FLAT WASHER	
17	6	M10 SPLIT LOCK WASHER	
18	6	M10 HEX NUT	
19	2	M6 HEX HEAD BOLT	
20	4	M6 CARRIAGE BOLT	
21	4	M6 HEX NUT	
22	6	M6 SPLIT LOCK WASHER	
23	6	M6 FLAT WASHER	
24	8	M8 CARRIAGE BOLT	
25	12	M8 HEX NUT	
26	12	M8 SPLIT LOCK WASHER	
27	16	M8 FLAT WASHER	
28	4	M8 BUTTON HEAD BOLT	

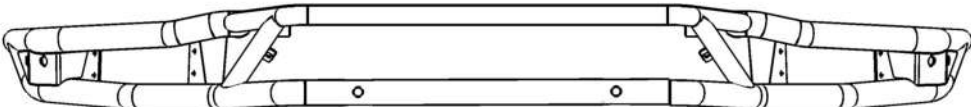
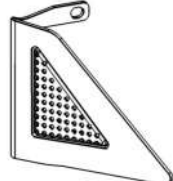
**ANTI-SEIZE LUBRICANT MUST BE USED ON ALL STAINLESS STEEL FASTENERS TO PREVENT THREAD DAMAGE AND GALLING**

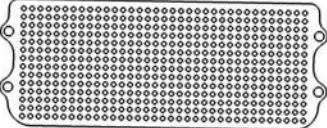
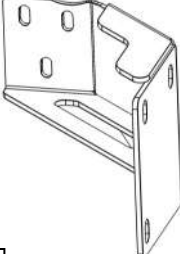
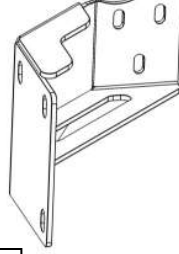
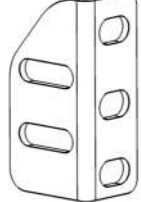


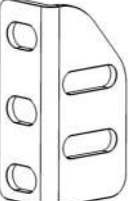
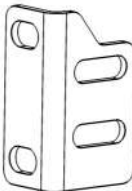


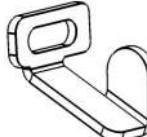
## CONTENT


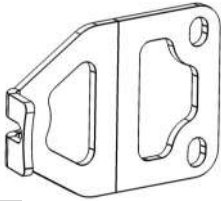

ITEM	QUANTITY	DESCRIPTION	TOOLS NEEDED
29	6	M12 SERRATED FLANGE BOLT	
30	12	M12 FLAT WASHER	
31	6	M12 SPLIT LOCK WASHER	
32	6	M12 HEX NUT	
33	15	ZIP TIE	
34	6	DOUBLE-SIDED TAPE SQUARE	

**ANTI-SEIZE LUBRICANT MUST BE USED ON ALL STAINLESS STEEL FASTENERS TO PREVENT THREAD DAMAGE AND GALLING**

	<div style="border: 1px solid black; padding: 2px; display: inline-block;">Passenger Opposite</div> 
ITEM 1	ITEM 2

			
ITEM 3	ITEM 4	ITEM 5	ITEM 6

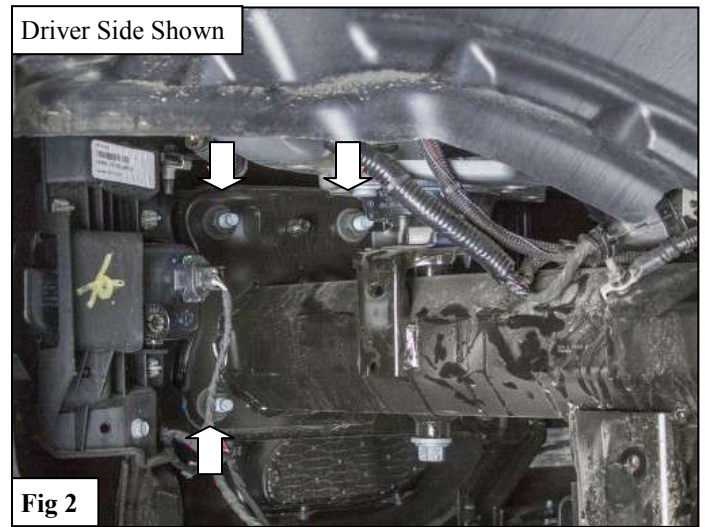
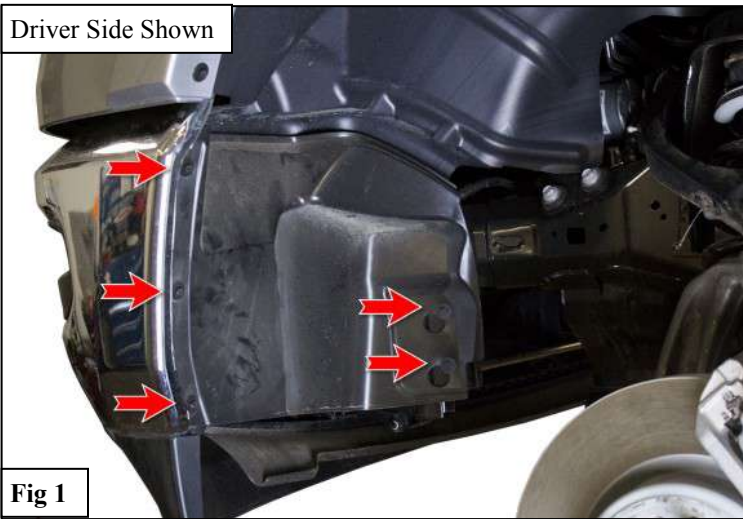
				
ITEM 7	ITEM 8	ITEM 9	ITEM 10	ITEM 11

		
ITEM 12	ITEM 13	ITEM 14

## PROCEDURE

1. Remove contents from box, verify if all parts listed are present and free from damage.  
Carefully read and understand all instructions before attempting installation.  
**Failure to identify damage before installation could lead to a rejection of any claim.**

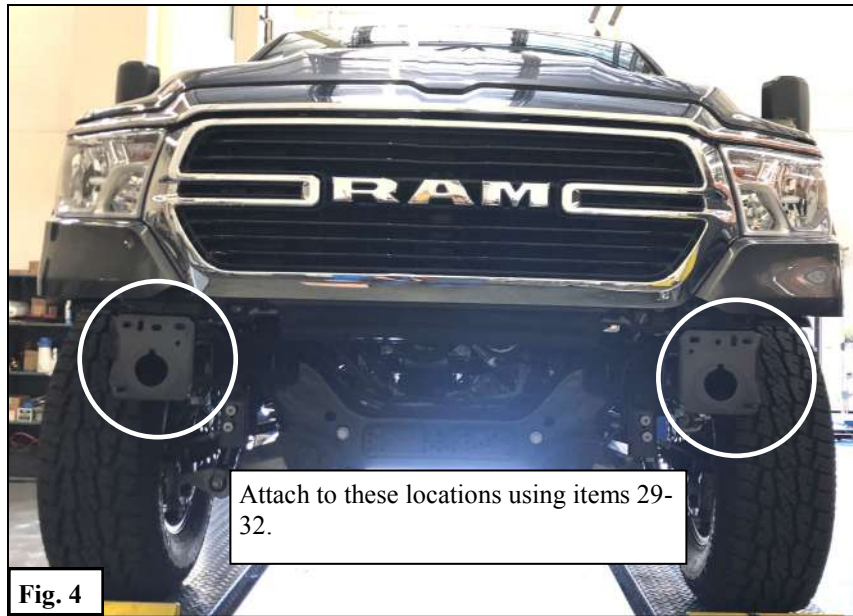
2. Unplug any connections to the OEM front bumper (sensors, fog lights ,etc).
3. Remove the front inner fender pieces by removing the 5 screws shown in **Figure 1**.
4. Remove the three frame mounted bolts from each side of the vehicle. Then, carefully remove the OEM bumper. See **Figure 2**.



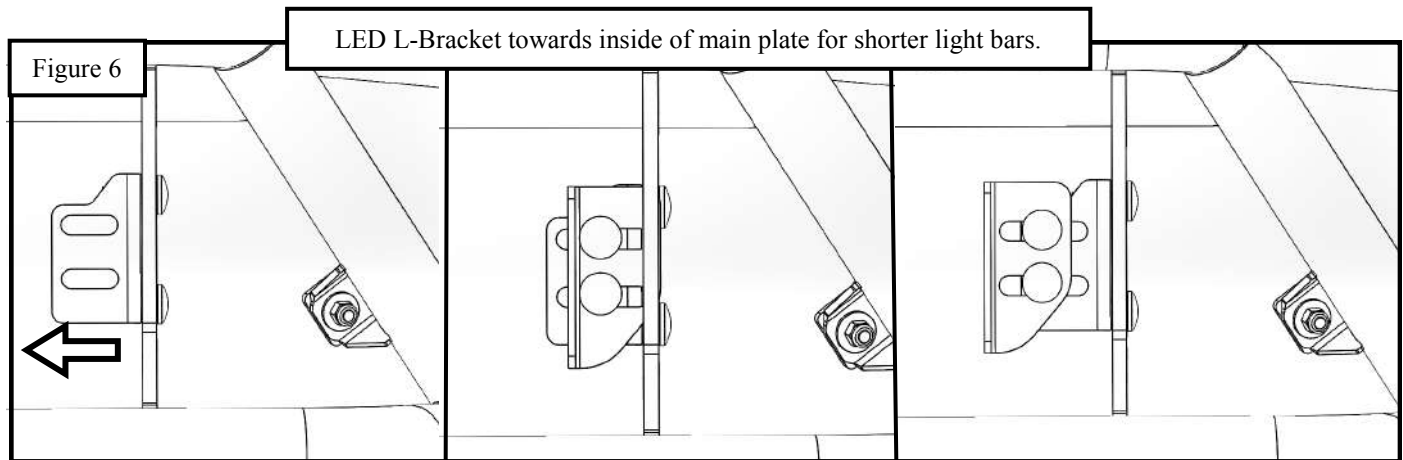
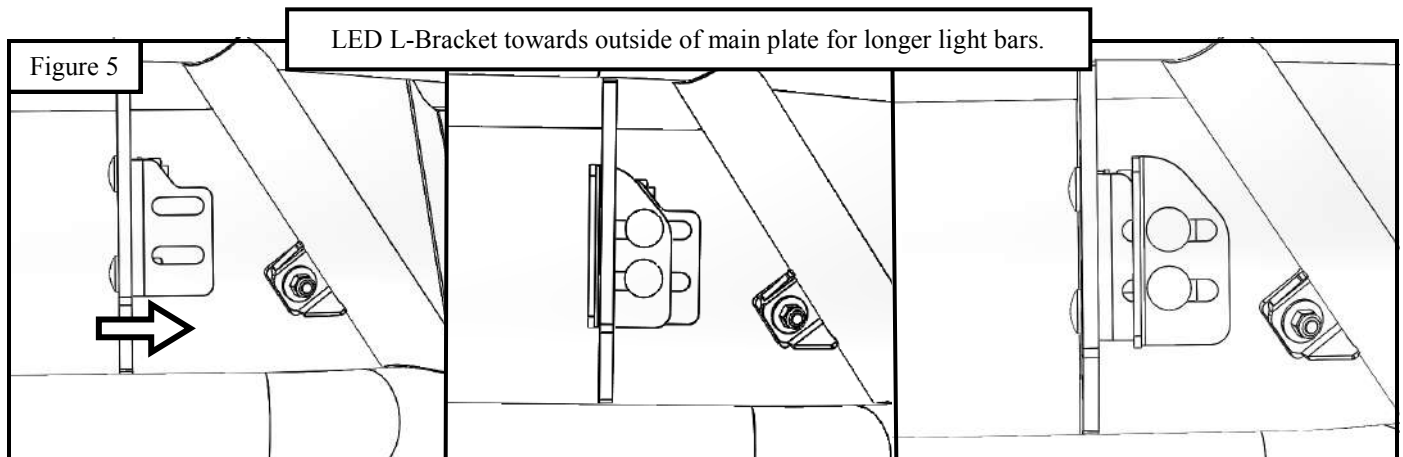
5. Unplug and remove the active valence from the vehicle if equipped. See **Figure 3**.

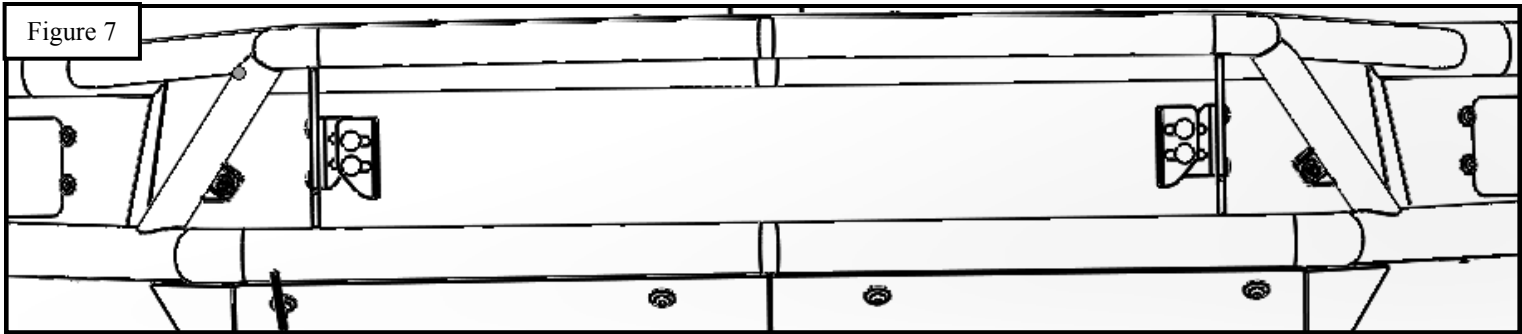


6. Use the supplied M12 Hardware to attach the Frame Brackets to the frame of the vehicle. See **Figure 4**.

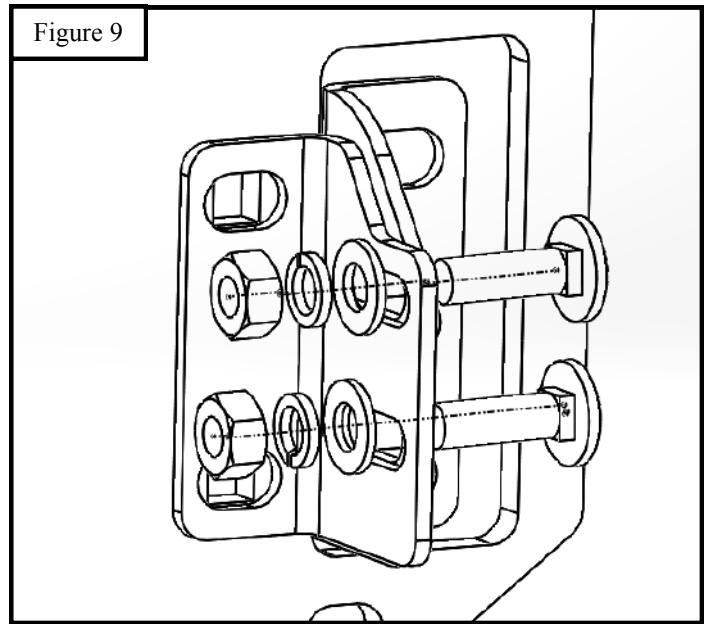
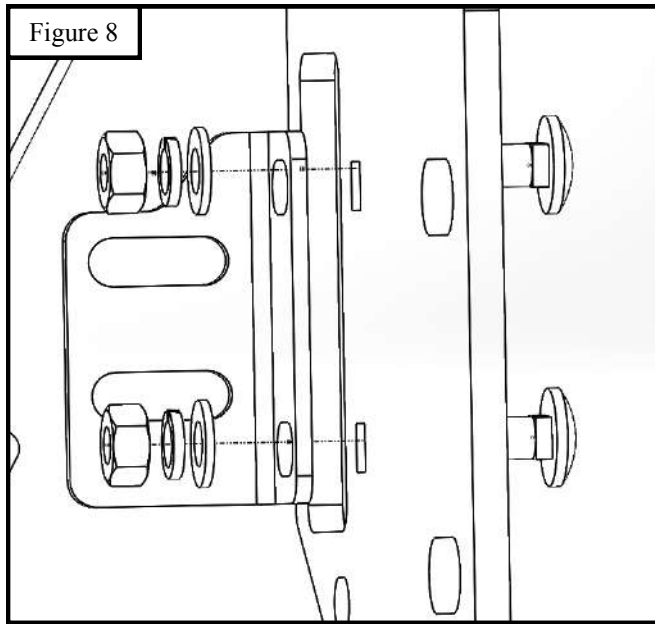


7. Proceed to install center light bar brackets and light bar (s) (sold separately). Items 6-9 can be mounted in different configurations in order to have the necessary adjustment for various “30” inch light bar overall lengths. See **Figure 5-7**.

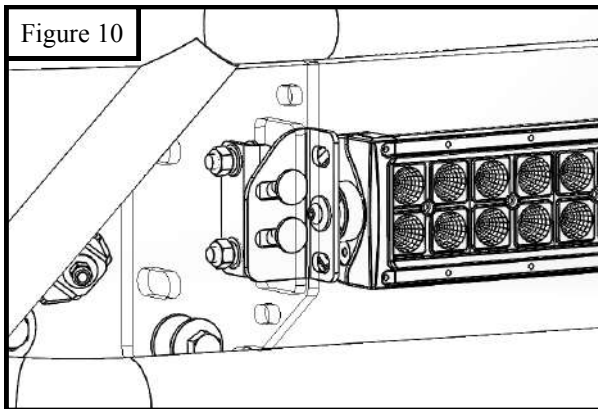




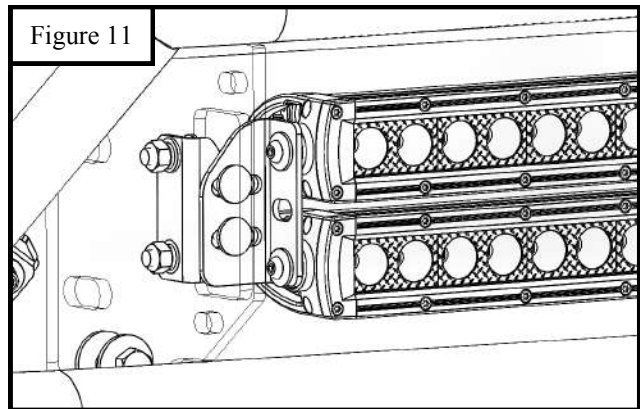
**Figure 7** is an example that shows the LED brackets towards the inside adjusted in for the shortest light bar configuration.



8. Using items 24-27, fasten LED L-Brackets (8,9) to main plate. Do not tighten. See **Figure 8**.
9. Using items 24-27, fasten LED Slider Brackets (6,7) to LED L-Bracket. Do not tighten. See **Figure 9**.
10. Using hardware included in the LED light bar hardware kit, fasten to bracket according to **Figures 10-11**.
11. Position light bar as desired and tighten all M8 hardware to 15-18 ft-lbs.

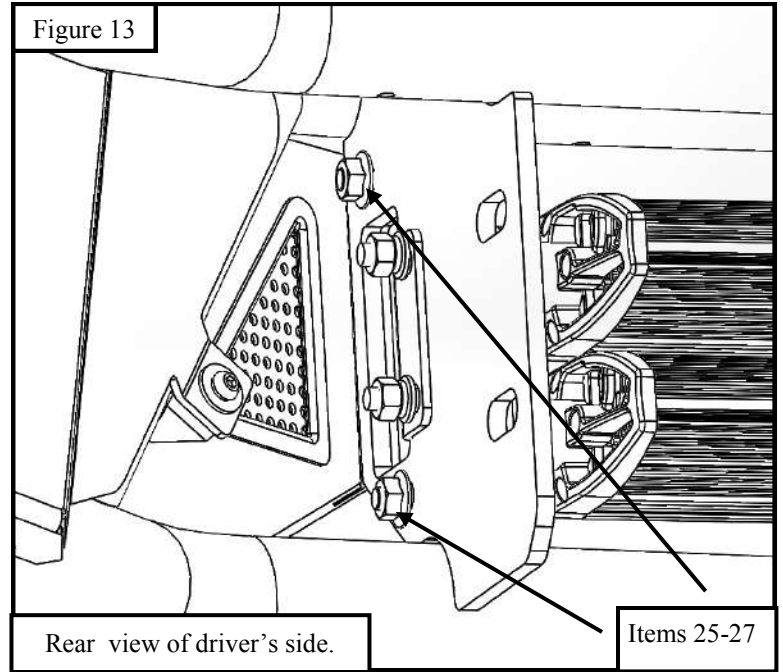
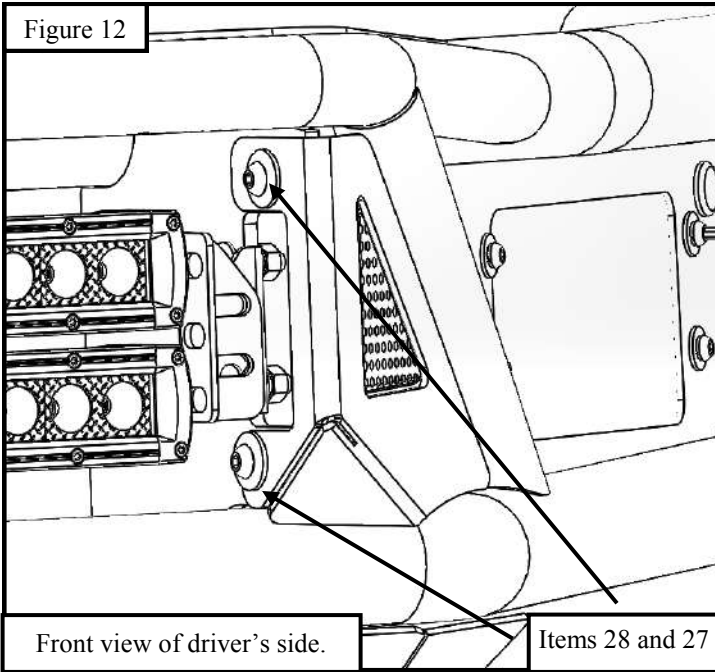


Single "Double Row" Light Bar Configuration



Double "Single Row" Light Bar Configuration

12. Position the meshed corner covers (2) as seen in **Figures 12 & 13**

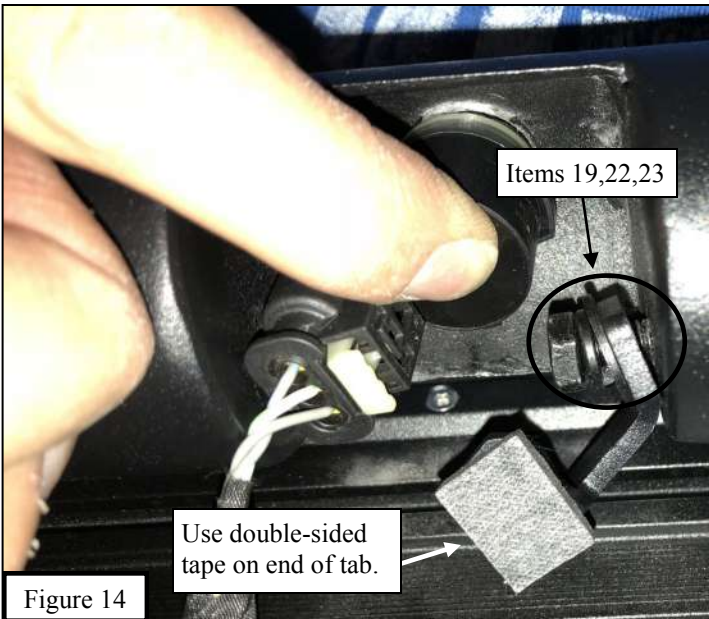


13. Use the supplied M6 Hardware and Center Sensor Tabs to install the parking sensors to the bumper. See **Figure 14 & 15**.

14. Use the supplied M6 Hardware and Side Sensor Tabs to install the 4 side sensors. See **Figure 16**.

15. If sensors will not be used, install hole plugs (14) into the holes on the bumper.

**Keep the orientation of the sensors the same as the stock orientation.**



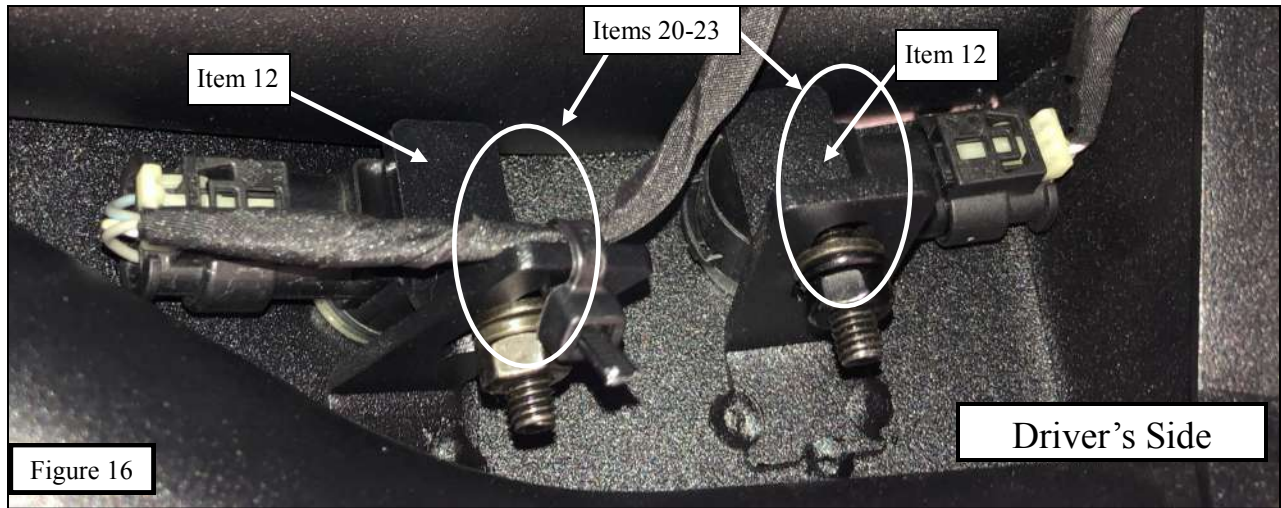
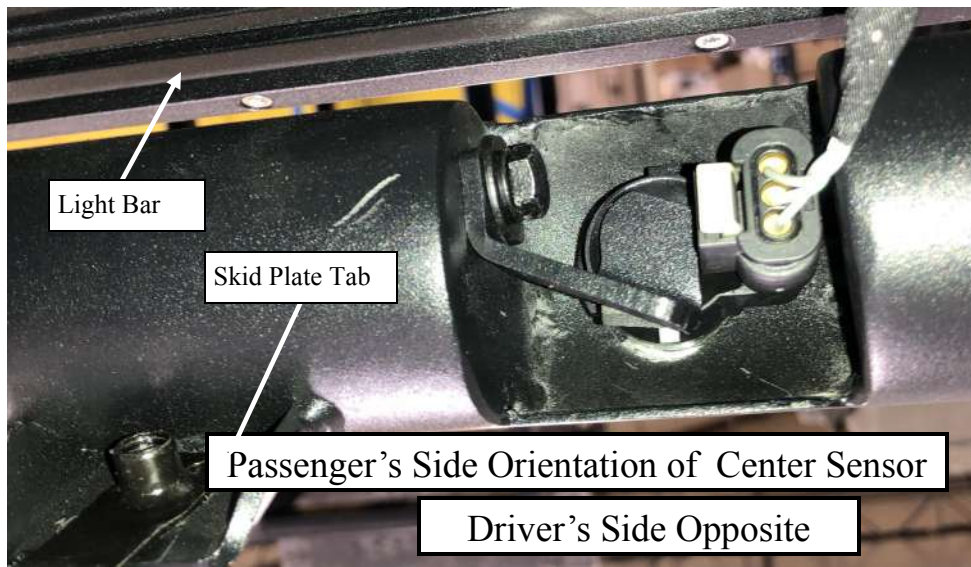
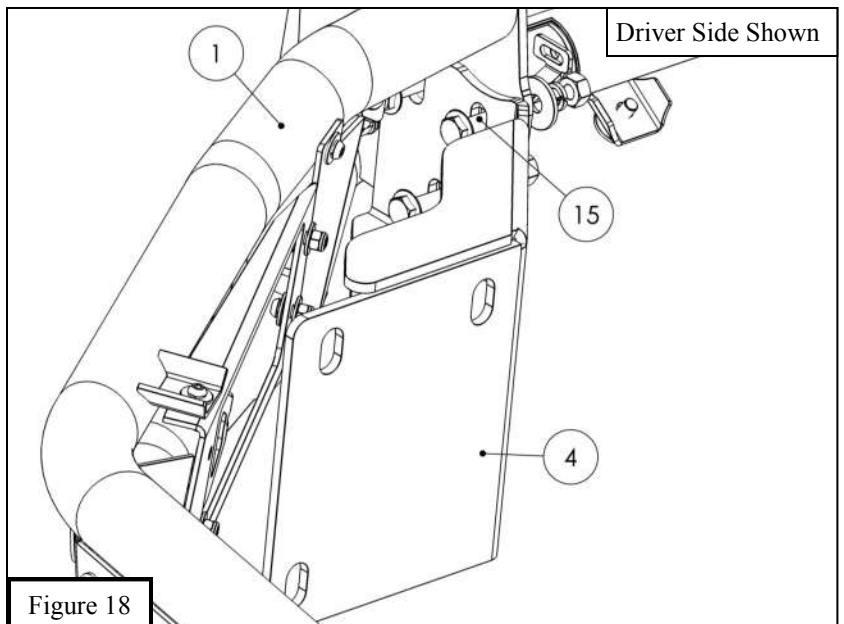
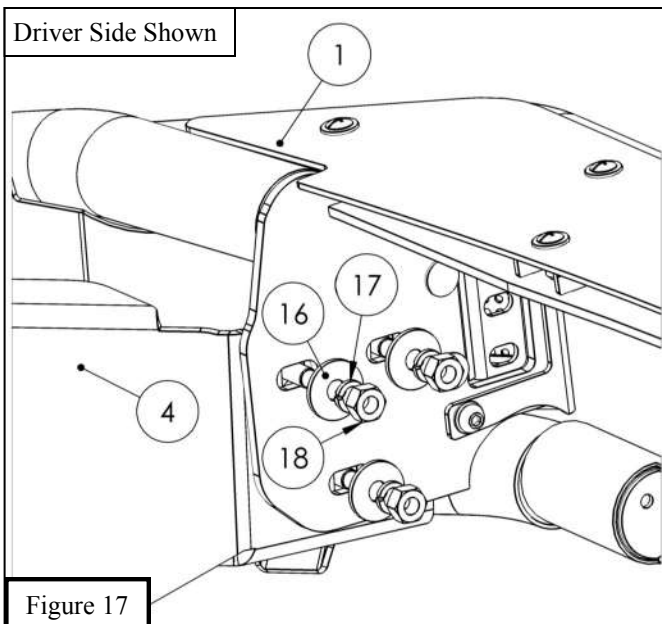
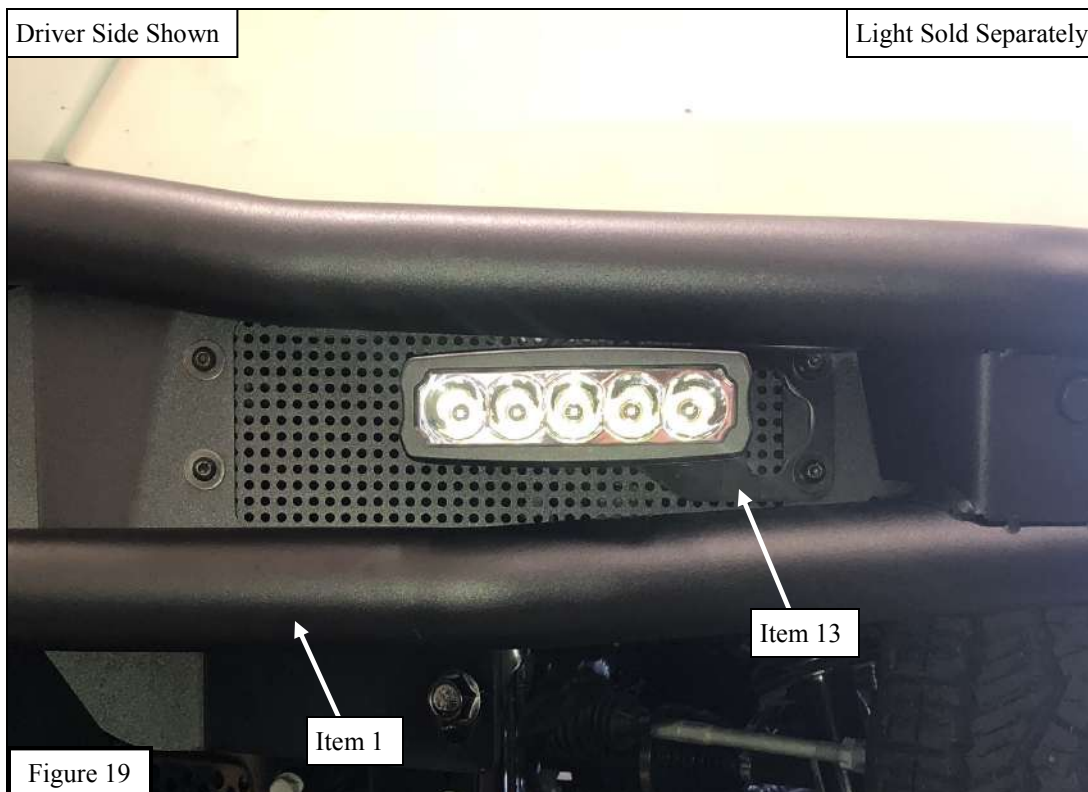


Figure 16

16. Use the supplied M10 Hardware to attach the Bumper (1) to the Frame Brackets (4,5). See **Figures 17 & 18.**



17. The Fusion 5 LED Light (sold separately) can be used along with the supplied Fusion 5 Mount (13) along with the existing hardware for the Mesh Side Covers (3). See **Figure 19**.
18. Align the bumper as desired and tighten all hardware as specified: M6 to 8 ft-lbs, M8 to 18 ft-lbs, M10 to 38 ft-lbs, M12 to 60 ft-lbs.





INSTALLATION COMPLETE



Lights and Skid Plate Sold Separately

#### CARE INSTRUCTIONS

- REGULAR WAXING IS RECOMMENDED. DO NOT USE ANY TYPE OF POLISH OR WAX THAT MAY CONTAIN ABRASIVES.
- STAINLESS STEEL PRODUCTS CAN BE CLEANED WITH MILD SOAP AND WATER. STAINLESS STEEL POLISH SHOULD BE USED TO POLISH SMALL SCRATCHES.
- GLOSS BLACK FINISHES SHOULD BE CLEANED WITH MILD SOAP AND WATER.



## WARNING



Failure to follow these instructions could lead to death, personal injury, and / or property damage.

Failure to follow these instructions could lead to death, personal injury, and / or property damage.

### FASTENERS:

All Westin supplied fasteners must be utilized and installed in accordance with the installation instructions and apply torque to the specifications as defined. **DOUBLE CHECK ALL FASTENERS BEFORE INITIAL USE, AND PERIODICALLY IN THE FUTURE TO ENSURE PROPER FUNCTION AND SAFETY.**

### DRILLING:

Most Westin products do not require drilling for installation. If drilling is defined as required, use caution when drilling a vehicle. **FAILURE TO REVIEW AN AREA TO BE DRILLED MAY RESULT IN PERSONAL INJURY AND/OR INJURY TO OTHERS AS WELL AS VEHICLE DAMAGE.**

### EYE PROTECTION:

**ALWAYS WEAR SAFETY GLASSES OR GOGGLES DURING THE INSTALLATION PROCESS TO AVOID PERSONAL INJURY.**

### MAXIMUM TOWING/CARRYING CAPACITY: (if applicable)

The Westin Receiver Hitches will have a visible tow rating label affixed directly on the product. User should never exceed the vehicle manufacturers maximum tow and weight rating regardless of the capacity of the hitch. **FAILURE TO FOLLOW THESE GUIDELINES WILL VOID THE WESTIN WARRANTY AND MAY RESULT IN PERSONAL INJURY AND/OR INJURY TO OTHERS AS WELL AS VEHICLE DAMAGE.**

### FOR CALIFORNIA RESIDENTS ONLY-PROP 65 WARNING:

Some products may contain chemicals such as DEHP, which can cause cancer, birth defects or other reproductive harm.

