

INSTALLATION INSTRUCTIONS

OUTLAW NERF STEP BARS

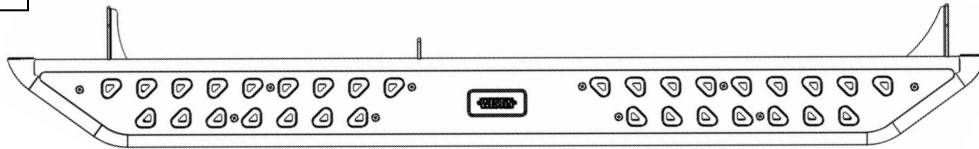


APPLICATION:
2015-2019 Chevrolet/GMC Colorado/Canyon Crew Cab
PART NUMBER:
58-53155

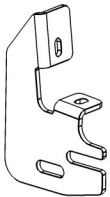
CONTENT			
ITEM	QUANTITY	DESCRIPTION	TOOLS NEEDED
1	1	DRIVER STEP BAR ASSEMBLY	13MM SOCKET
2	1	PASSENGER STEP BAR ASSEMBLY	13MM WRENCH
3	2	DRIVER MOUNTING BRACKET	16MM SOCKET
4	2	PASSENGER MOUNTING BRACKET	16MM WRENCH
5	1	DRIVER CENTER MOUNTING BRACKET	RATCHET
6	1	PASSENGER CENTER MOUNTING BRACKET	TORQUE WRENCH
7	12	M8 U-CLIP	
8	12	M8 SPLIT LOCK WASHER	
9	12	M8 FLAT WASHER	
10	12	M8 HEX HEAD CAP SCREW	
11	12	M10 HEX HEAD CAP SCREW	
12	12	M10 BELLVILLE WASHER	
13	12	M10 SERRATED FLANGE NUT	

ANTI-SEIZE LUBRICANT MUST BE USED ON ALL STAINLESS STEEL FASTENERS TO PREVENT THREAD DAMAGE AND GALLING

Passenger Side Opposite



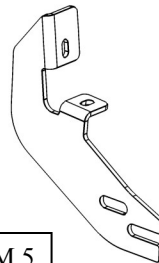
ITEM 1



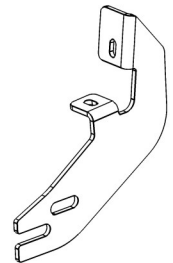
ITEM 3



ITEM 4



ITEM 5



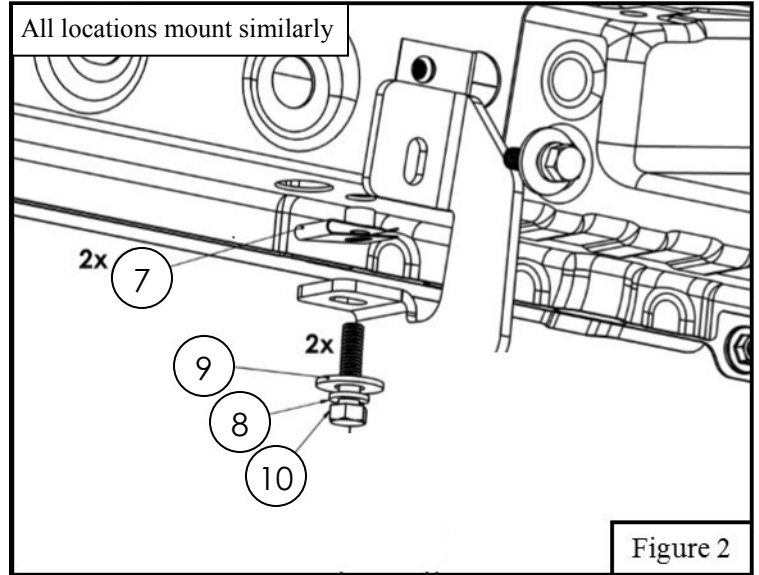
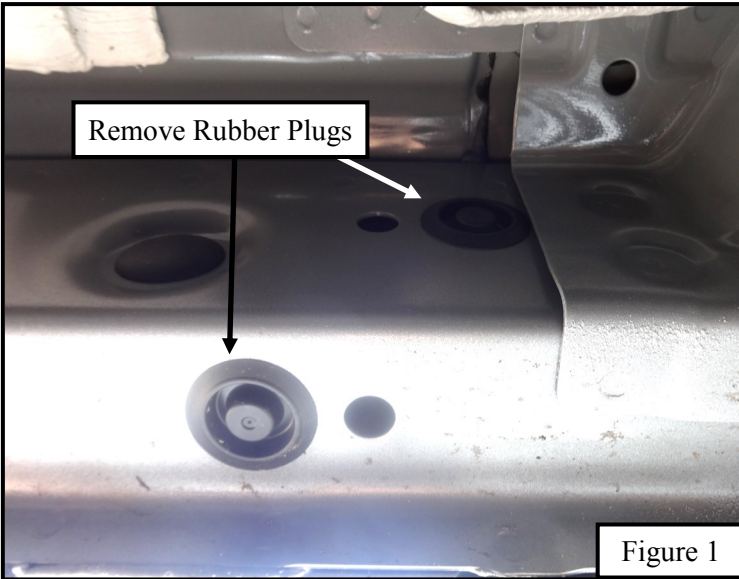
ITEM 6



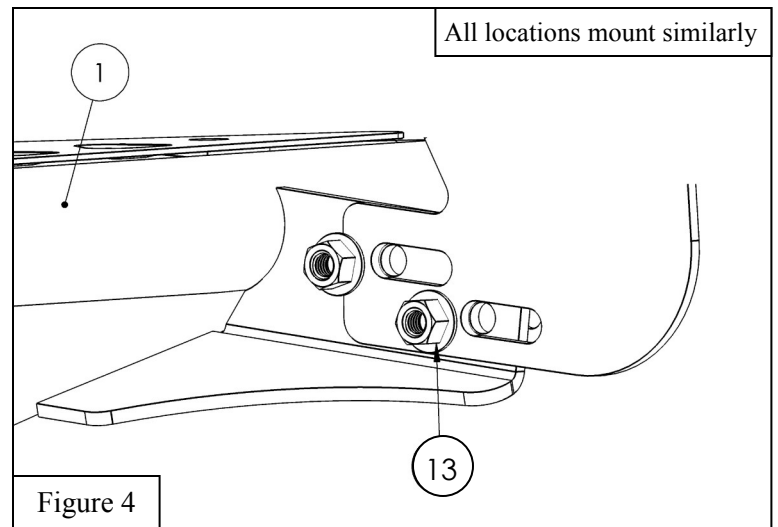
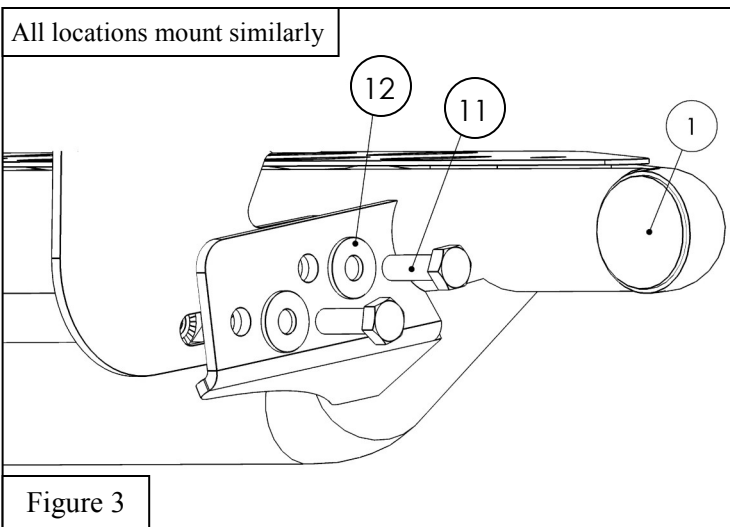
PROCEDURE

1. Remove contents from box, verify if all parts listed are present and free from damage.
Carefully read and understand all instructions before attempting installation.
Failure to identify damage before installation could lead to a rejection of any claim.

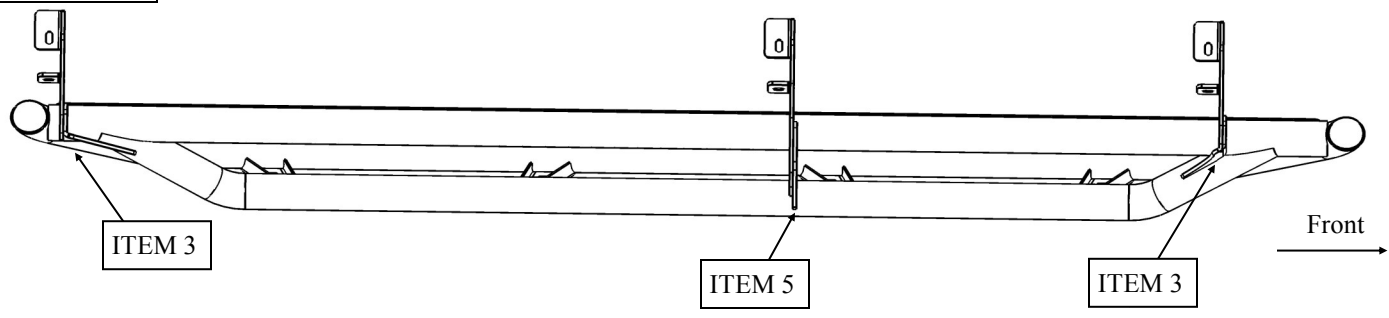
2. Remove the rubber plugs located on the rocker panel at each bracket mounting location. **See Figure 1.**
3. Locate (1) Mounting Bracket and loosely secure it to the rocker panel using the provided hardware: (2) M8 hex head bolt, (2) M8 flat washer, (2) M8 lock washer, and (2) M8 u-nut clip. **See Figure 2.**
4. Repeat **Step 3** for every other bracket mounting location. (**See Page 3 For Bracket Orientation**)



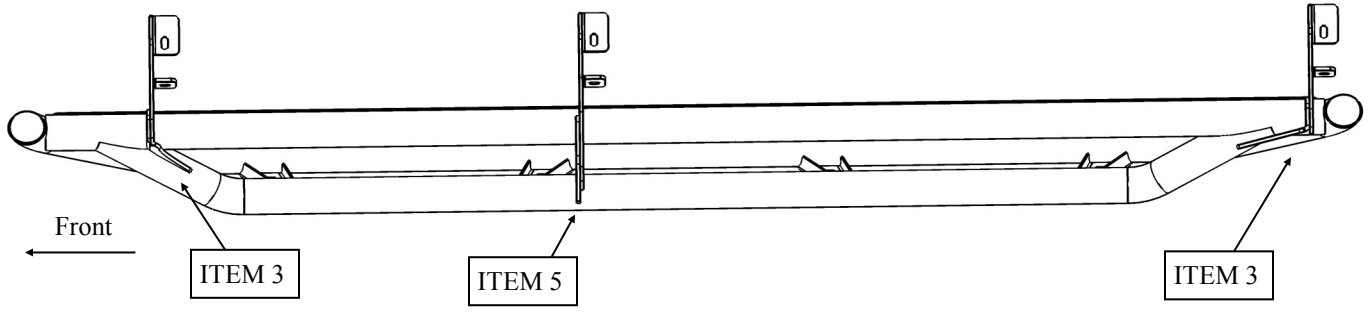
5. For Step Board installation to the previously installed mounting brackets use the supplied M10 bolts and M10 hardware. **See Figures 3 & 4.**
6. Align step bar and brackets to desired positioning then torque and tighten all: M8 to 20 ft-lbs, M10 to 38 ft-lbs.



Driver Side Shown



Passenger Side Shown



INSTALLATION COMPLETE



CARE INSTRUCTIONS

- REGULAR WAXING IS RECOMMENDED. DO NOT USE ANY TYPE OF POLISH OR WAX THAT MAY CONTAIN ABRASIVES.
- STAINLESS STEEL PRODUCTS CAN BE CLEANED WITH MILD SOAP AND WATER. STAINLESS STEEL POLISH SHOULD BE USED TO POLISH SMALL SCRATCHES.
- GLOSS BLACK FINISHES SHOULD BE CLEANED WITH MILD SOAP AND WATER





WARNING



Failure to follow these instructions could lead to death, personal injury, and / or property damage.

Failure to follow these instructions could lead to death, personal injury, and / or property damage.

FASTENERS:

All Westin supplied fasteners must be utilized and installed in accordance with the installation instructions and apply torque to the specifications as defined. **DOUBLE CHECK ALL FASTENERS BEFORE INITIAL USE, AND PERIODICALLY IN THE FUTURE TO ENSURE PROPER FUNCTION AND SAFETY.**

DRILLING:

Most Westin products do not require drilling for installation. If drilling is defined as required, use caution when drilling a vehicle. **FAILURE TO REVIEW AN AREA TO BE DRILLED MAY RESULT IN PERSONAL INJURY AND/OR INJURY TO OTHERS AS WELL AS VEHICLE DAMAGE.**

EYE PROTECTION:

ALWAYS WEAR SAFETY GLASSES OR GOGGLES DURING THE INSTALLATION PROCESS TO AVOID PERSONAL INJURY.

MAXIMUM TOWING/CARRYING CAPACITY: (if applicable)

The Westin Receiver Hitches will have a visible tow rating label affixed directly on the product. User should never exceed the vehicle manufacturers maximum tow and weight rating regardless of the capacity of the hitch. **FAILURE TO FOLLOW THESE GUIDELINES WILL VOID THE WESTIN WARRANTY AND MAY RESULT IN PERSONAL INJURY AND/OR INJURY TO OTHERS AS WELL AS VEHICLE DAMAGE.**



Learn more about running boards and step bars we have.