

INSTALLATION INSTRUCTIONS

PRO-MOD BUMPER

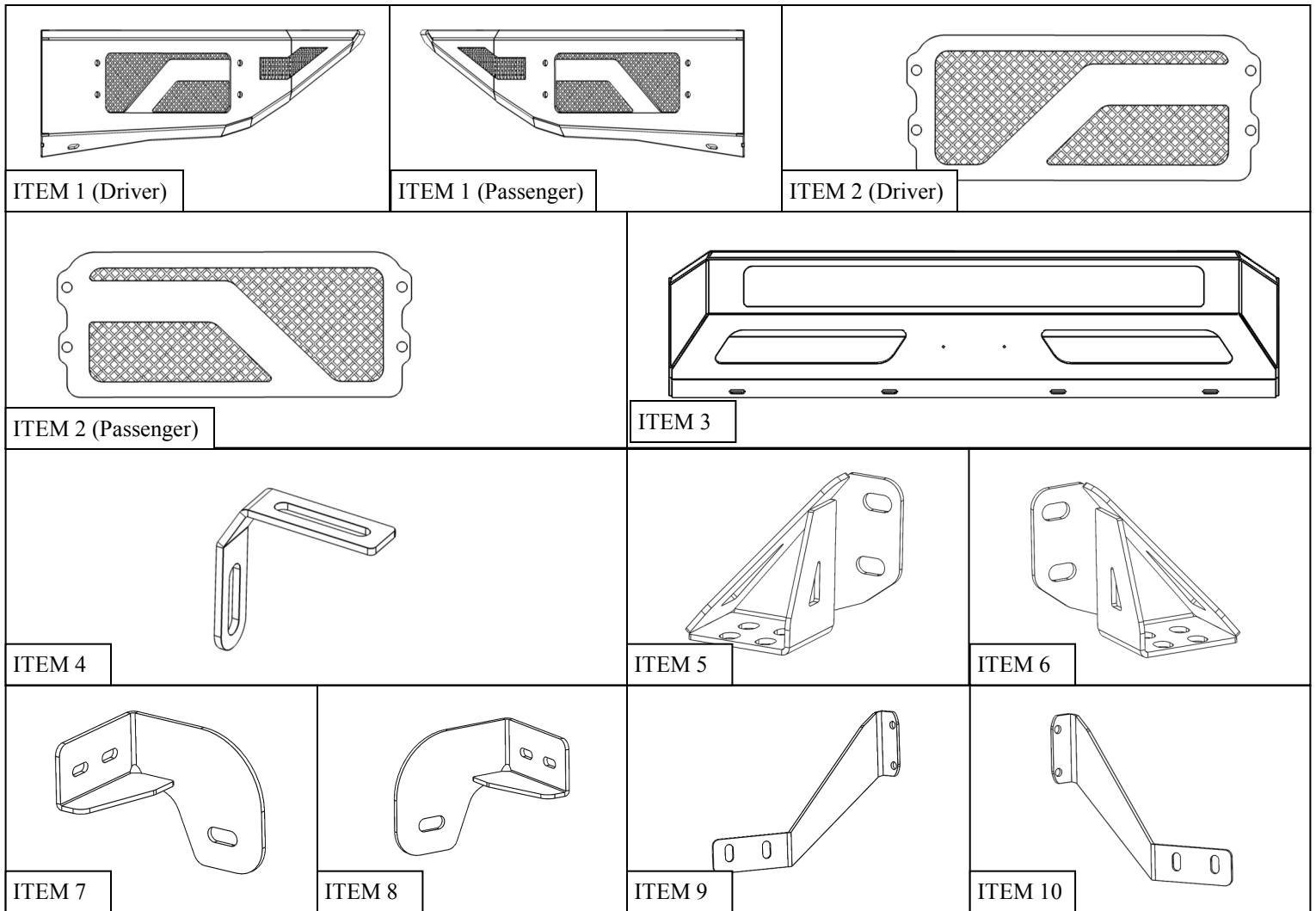


APPLICATION:
2017-2019 Ford F-250/350 Super Duty
PART NUMBER: 58-41175

CONTENT			
ITEM	QUANTITY	DESCRIPTION	TOOLS NEEDED
1	2	SIDE POD ASSEMBLY (1 DRIVER, 1 PASSENGER)	10MM SOCKET
2	2	MESH SIDE COVERS (1 DRIVER, 1 PASSENGER)	10MM WRENCH
3	1	CENTER SECTION	13MM SOCKET
4	1	LED LIGHT BRACKET	13MM WRENCH
5	1	DRIVER MOUNTING BRACKET	16MM SOCKET
6	1	PASSENGER MOUNTING BRACKET	16MM WRENCH
7	1	PASSENGER SUPPORT BRACKET	18MM SOCKET
8	1	DRIVER SUPPORT BRACKET	19MM WRENCH
9	1	DRIVER SIDE STRAP	RATCHET
10	2	PASSENGER SIDE STRAP	TORQUE WRENCH
11	12	M6 BUTTON HEAD SCREW	
12	12	M6 FLAT WASHER	
13	12	M6 SERRATED FLANGE NUT	
14	12	M6 LOCK WASHER	
15	4	M8 FLAT WASHER	
16	4	M8 LOCK WASHER	
17	4	M8 SERRATED FLANGE NUT	
18	4	M8 BUTTON HEAD BOLTS	
19	12	M12 SERRATED FLANGE NUT	
20	12	M12 HEX BOLT	
21	14	M12 LOCK WASHER (2 BLACK ZINC)	
22	28	M12 FLAT WASHER (4 BLACK ZINC)	
23	4	M10 HEX HEAD BOLT	
24	4	M10 SERRATED FLANGE NUT	
25	4	M10 FLAT WASHER	
26	2	M12 HEX NUT (BLACK ZINC)	
27	2	M12 BUTTON HEAD BOLTS (BLACK ZINC)	

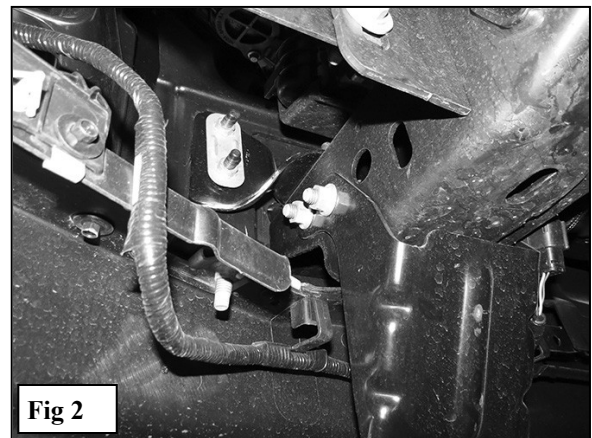
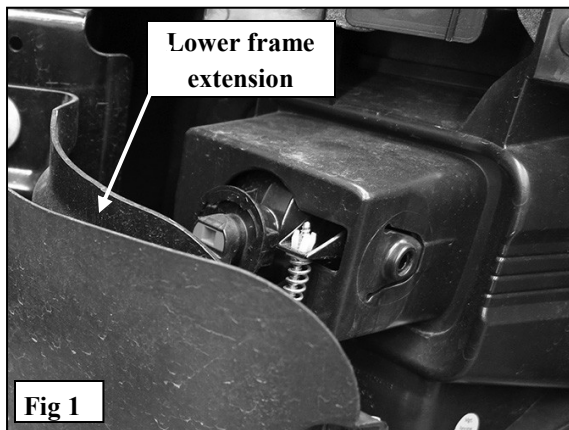
ANTI-SEIZE LUBRICANT MUST BE USED ON ALL STAINLESS STEEL FASTENERS TO PREVENT THREAD DAMAGE AND GALLING





PROCEDURE

1. Remove contents from box, verify if all parts listed are present and free from damage. Carefully read and understand all instructions before attempting installation.
Failure to identify damage before installation could lead to a rejection of any claim.
2. Remove the license plate and bracket. On models with factory fog lights, unplug both lights. Release the wiring harness from the clips attached to the back of the bumper, **(Figures 1 & 2)**. Move harness away from bumper.



3. Next, remove the plastic lower air dam from the bottom of the bumper, (**Figure 3**). Remove the outer bumper supports attaching the outer ends of the bumper to the sides of the frame, (**Figure 4**). Remove the plastic covers from the tow hooks to uncover the bumper bolts, (**Figure 5**).

Fig 3

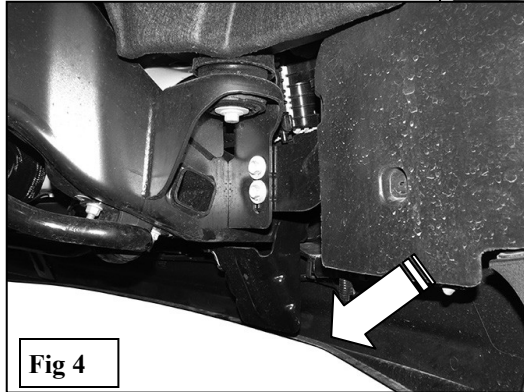
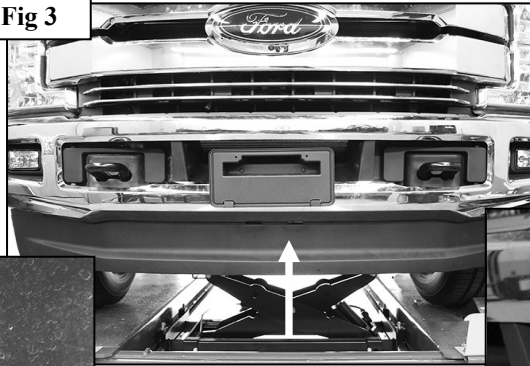


Fig 4

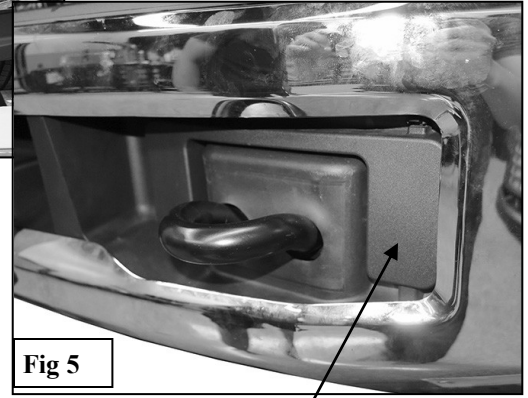


Fig 5

4. Place blocks or jack stands under the front bumper to support it during mounting bolt removal. Once the bumper has been safely supported, remove the (8) factory bumper bolts, (**Figure 6**).

WARNING! Assistance is required to hold the bumper in place during bolt removal to prevent the bumper from falling. Carefully slide the bumper off over the tow hooks.

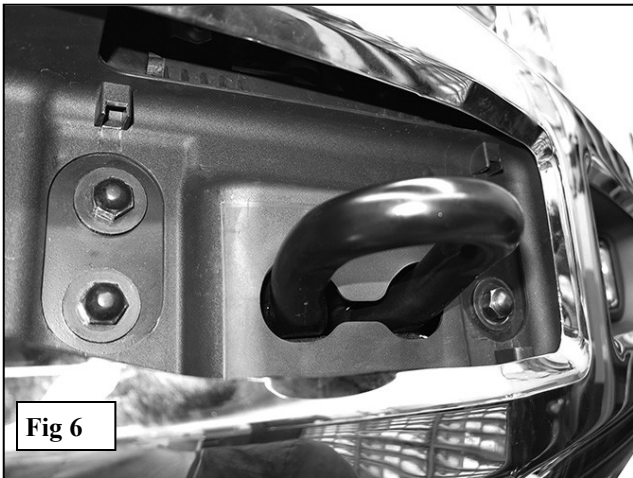


Fig 6

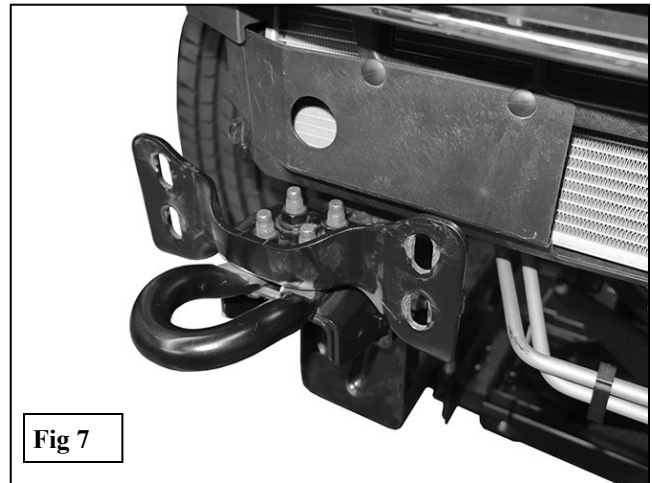
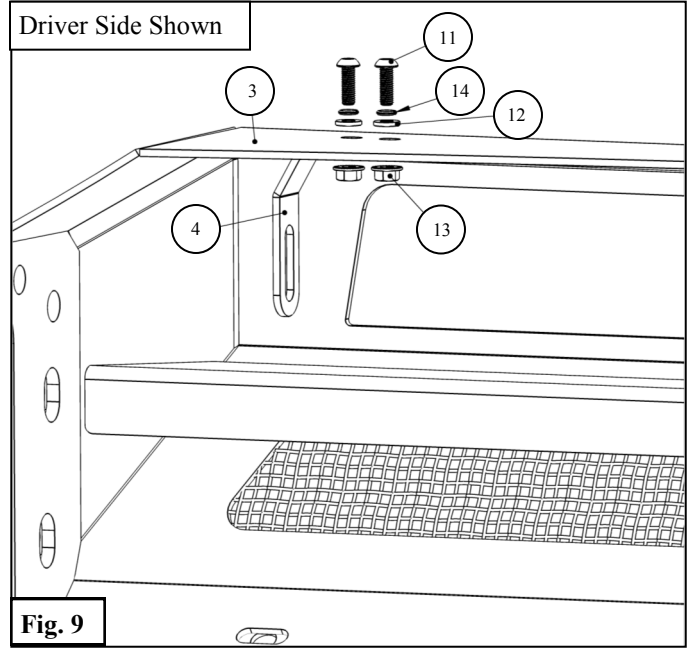
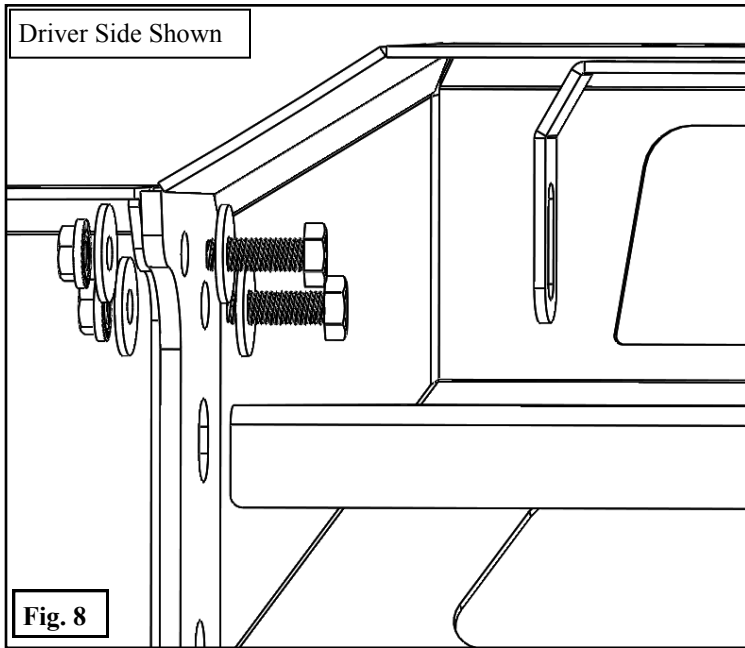


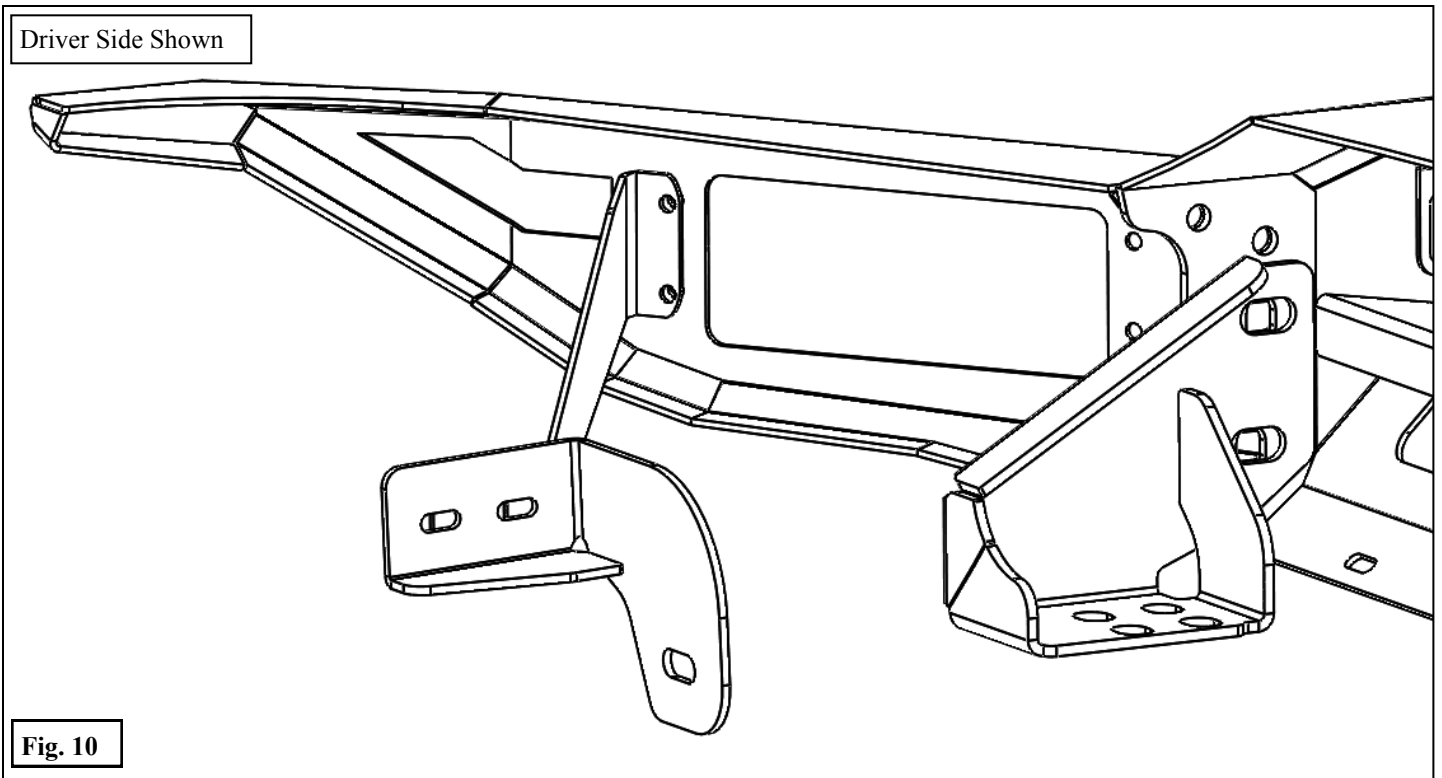
Fig 7

5. Remove the passenger/right side tow hook from the end of the frame, (**Figure 7**). Next, remove the (4) factory hex nuts, lower frame extension and double bolt plates from the end of the frame, (**Figures 2 & 7**). Repeat for Driver Side.

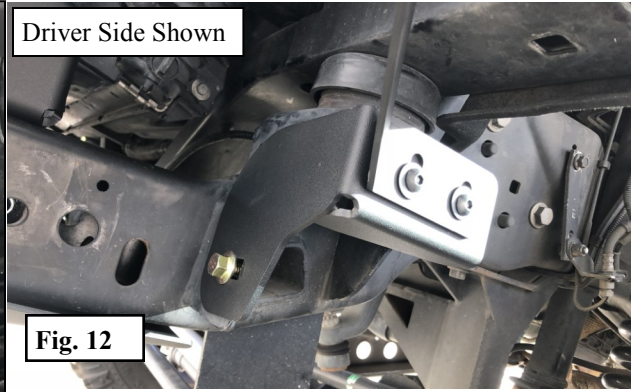
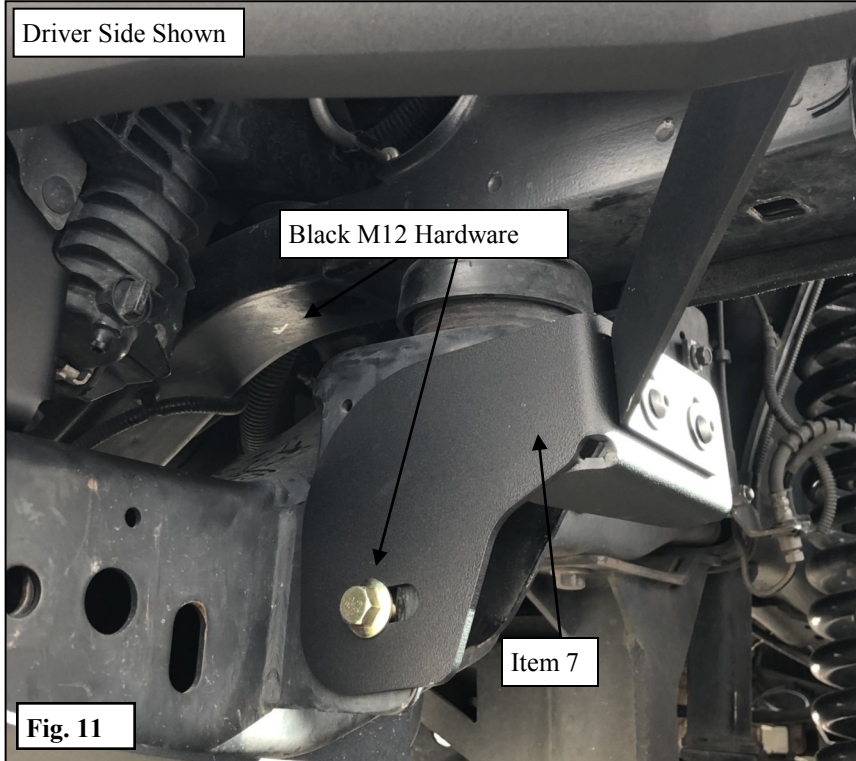
6. Use the supplied M10 Hardware to attach each Side Pod Assembly (1,2) to the Center Section (3). See **Figure 8**.
7. Use the supplied M6 Hardware to attach the LED Brackets (4) to the center section. See **Figure 9**. *Note: If installing an LED Light Bar (sold separately), install it at this time.*



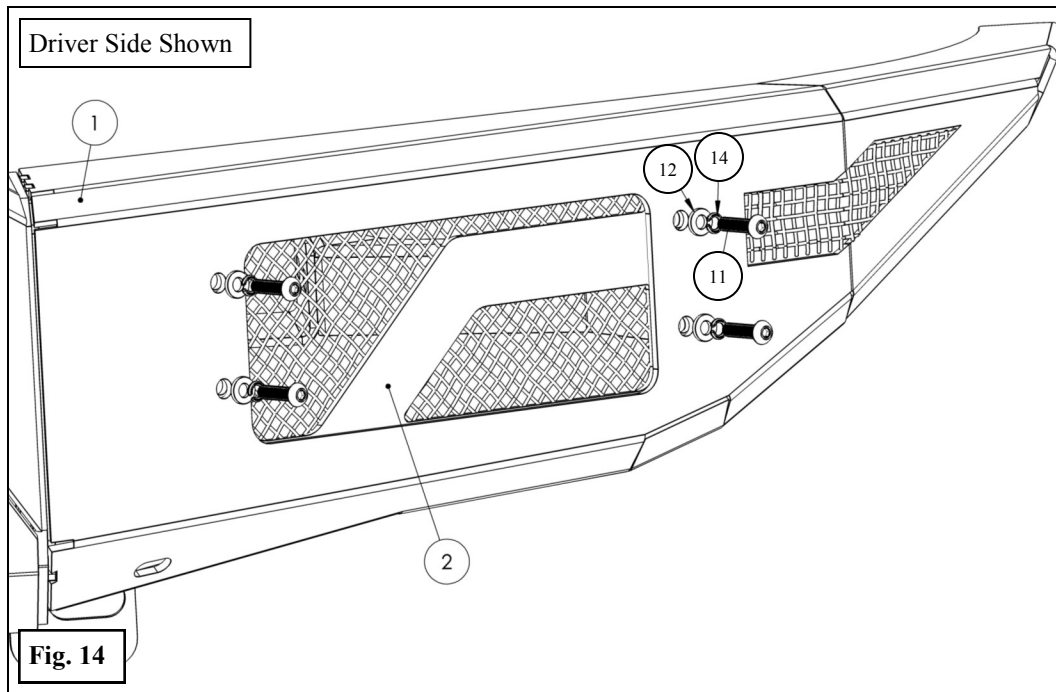
8. Loosely install the bumper assembly to the Mounting Brackets (5,6) using the supplied M12 Hardware. See **Figures 10,16**.



9. Loosely install the Support Brackets (7,8) to the frame of the vehicle using the M12 hardware (black) . See **Figure 11**.
10. Loosely attach the Side Straps (9,10) to the Support Brackets (7,8) using the supplied M8 Hardware. See **Figure 12**.



11. Attach the Mesh Side Covers (2) to the Bumper and Side Straps (9,10) using the supplied M6 Hardware. See **Figures 13 & 14**.



12. Align bumper as desired and torque all hardware as specified: M6 to 7 ft-lbs, M8 to 18 ft-lbs, M10 to 38 ft-lbs, M12 to 60 ft-lbs.

Fig. 15



Fig. 16

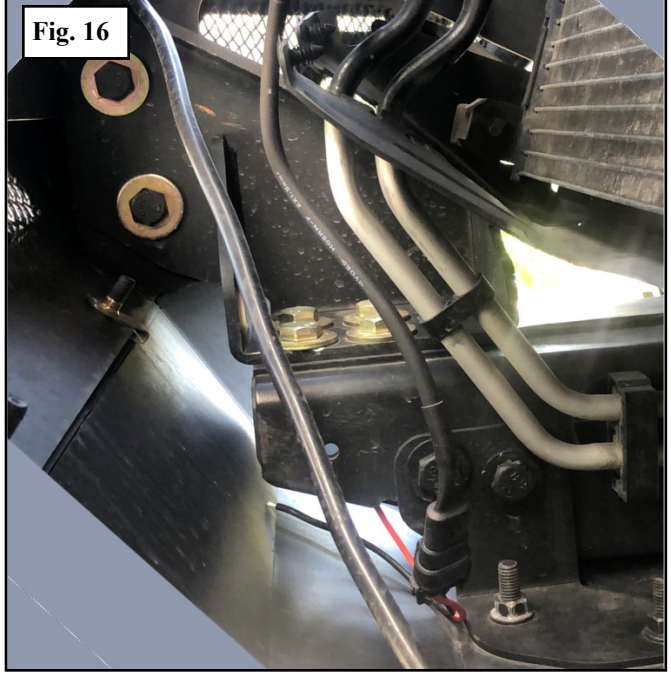
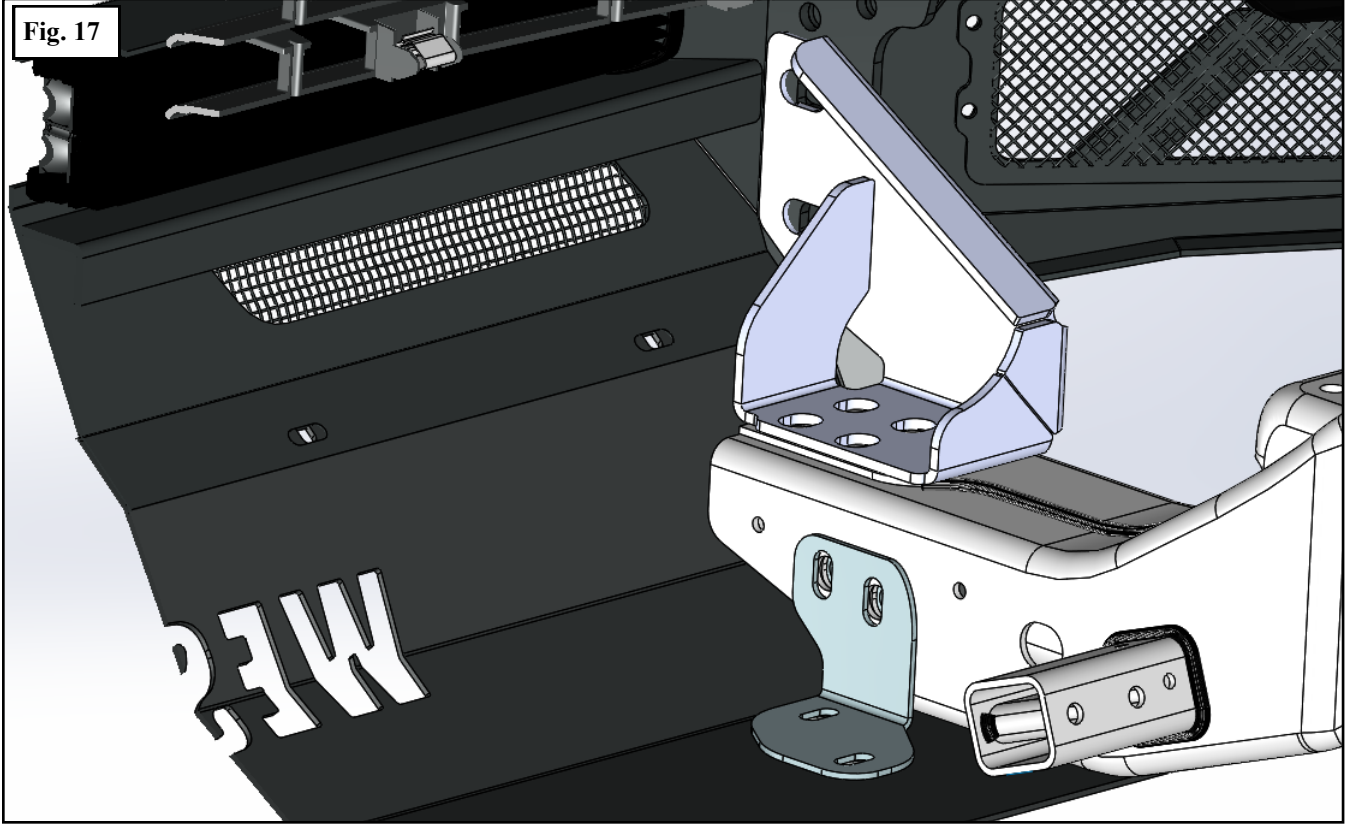


Fig. 17



INSTALLATION COMPLETE



LED Lights, side pod light mounts and skid plate sold separately

CARE INSTRUCTIONS

- REGULAR WAXING IS RECOMMENDED. DO NOT USE ANY TYPE OF POLISH OR WAX THAT MAY CONTAIN ABRASIVES.
- STAINLESS STEEL PRODUCTS CAN BE CLEANED WITH MILD SOAP AND WATER. STAINLESS STEEL POLISH SHOULD BE USED TO POLISH SMALL SCRATCHES.
- GLOSS BLACK FINISHES SHOULD BE CLEANED WITH MILD SOAP AND WATER



WARNING



Failure to follow these instructions could lead to death, personal injury, and / or property damage.

Failure to follow these instructions could lead to death, personal injury, and / or property damage.

FASTENERS:

All Westin supplied fasteners must be utilized and installed in accordance with the installation instructions and apply torque to the specifications as defined. **DOUBLE CHECK ALL FASTENERS BEFORE INITIAL USE, AND PERIODICALLY IN THE FUTURE TO ENSURE PROPER FUNCTION AND SAFETY.**

DRILLING:

Most Westin products do not require drilling for installation. If drilling is defined as required, use caution when drilling a vehicle. **FAILURE TO REVIEW AN AREA TO BE DRILLED MAY RESULT IN PERSONAL INJURY AND/OR INJURY TO OTHERS AS WELL AS VEHICLE DAMAGE.**

EYE PROTECTION:

ALWAYS WEAR SAFETY GLASSES OR GOGGLES DURING THE INSTALLATION PROCESS TO AVOID PERSONAL INJURY.

MAXIMUM TOWING/CARRYING CAPACITY: (if applicable)

The Westin Receiver Hitches will have a visible tow rating label affixed directly on the product. User should never exceed the vehicle manufacturers maximum tow and weight rating regardless of the capacity of the hitch. **FAILURE TO FOLLOW THESE GUIDELINES WILL VOID THE WESTIN WARRANTY AND MAY RESULT IN PERSONAL INJURY AND/OR INJURY TO OTHERS AS WELL AS VEHICLE DAMAGE.**

FOR CALIFORNIA RESIDENTS ONLY-PROP 65 WARNING:

Some products may contain chemicals such as DEHP, which can cause cancer, birth defects or other reproductive harm.



Learn more about off-road bumpers we have.