

INSTALLATION INSTRUCTIONS

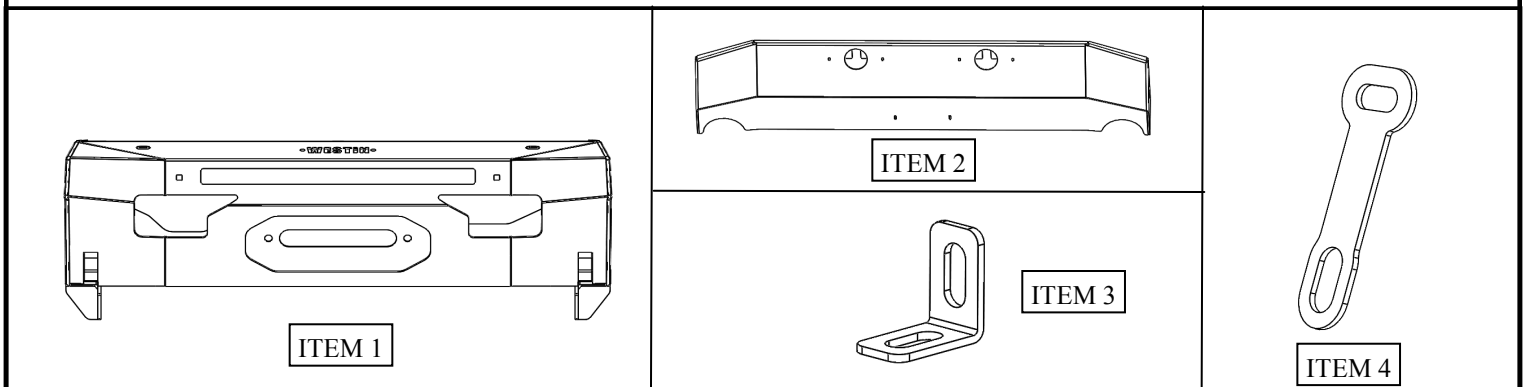
Pro-Series Front Bumper



APPLICATION:
Toyota 4Runner 2014-2020
PART NUMBER:
58-411155

CONTENT			
ITEM	QUANTITY	DESCRIPTION	TOOLS NEEDED
1	1	PRO-SERIES FRONT BUMPER	10MM SOCKET
2	1	SKID PLATE	13MM SOCKET
3	2	LED LIGHT BRACKET	14MM SOCKET
4	2	OEM BUMPER RETAINER	18MM SOCKET
5	10	M8 BUTTON HEAD BOLT (BLACK ZINC)	RATCHET
6	2	M8 NYLOCK HEX NUT (BLACK ZINC)	CUTTING TOOL
7	12	M8 FLAT WASHER (BLACK ZINC)	TAPE
8	8	M8 SERATED FLANGE HEX NUT (BLACK ZINC)	
9	2	M12 HEX HEAD BOLT (BLACK ZINC)	
10	2	M12 FLAT WASHER (BLACK ZINC)	
11	2	M12 SPLIT LOCK WASHER (BLACK ZINC)	
12	8	M10 FLAT WASHER (BLACK ZINC)	
13	3	EDGE TRIM	

ANTI-SEIZE LUBRICANT MUST BE USED ON ALL STAINLESS STEEL FASTENERS TO PREVENT THREAD DAMAGE AND GALLING



PROCEDURE

- Remove contents from box, verify if all parts listed are present and free from damage. Carefully read and understand all instructions before attempting installation.
- Begin by removing the OEM front bumper. To remove the OEM front bumper:
 - Remove the radiator shroud cover under the hood, by removing the pop clips holding it in place.
 - Remove the plastic pop clips and the 10mm bolt on the hood latch that are securing the bumper to the radiator support.

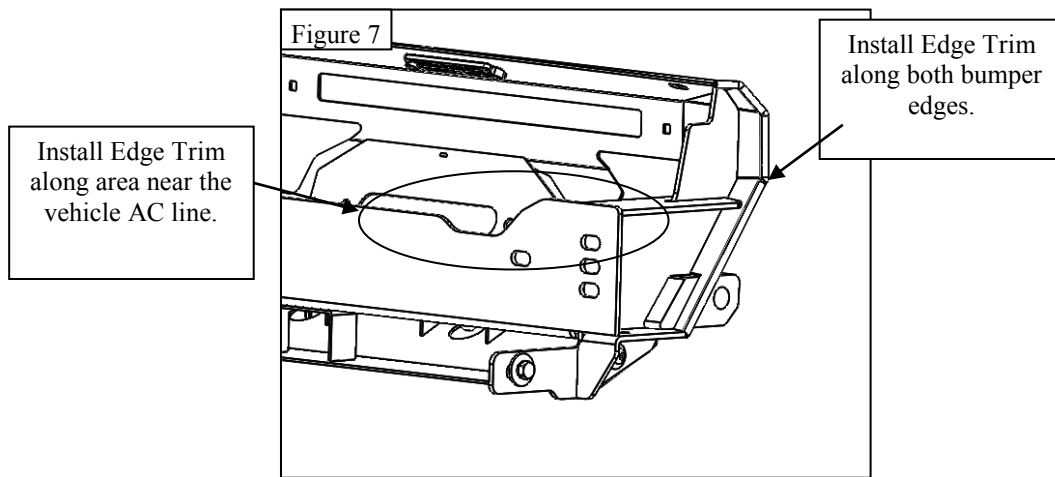
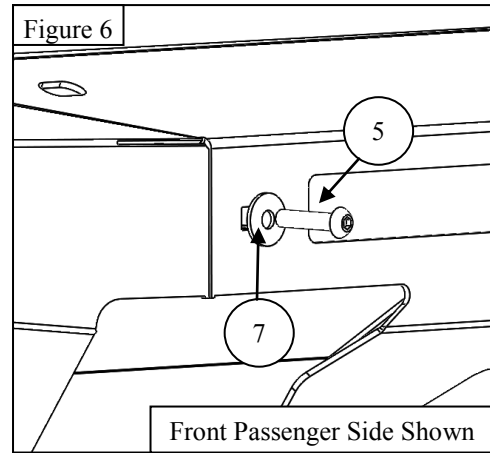
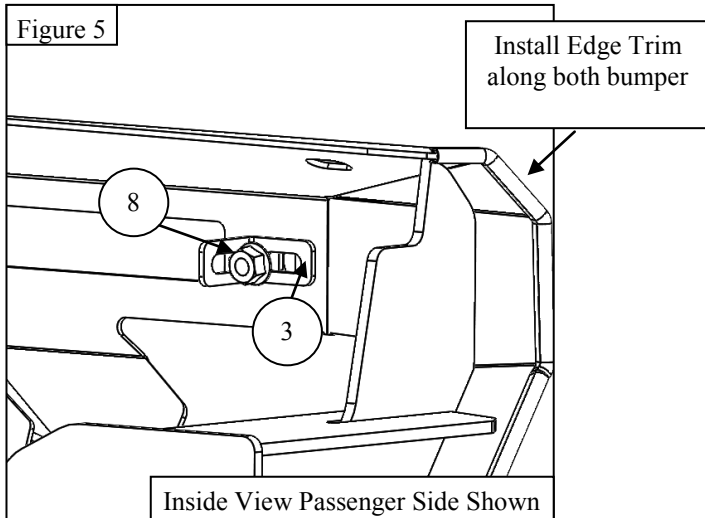
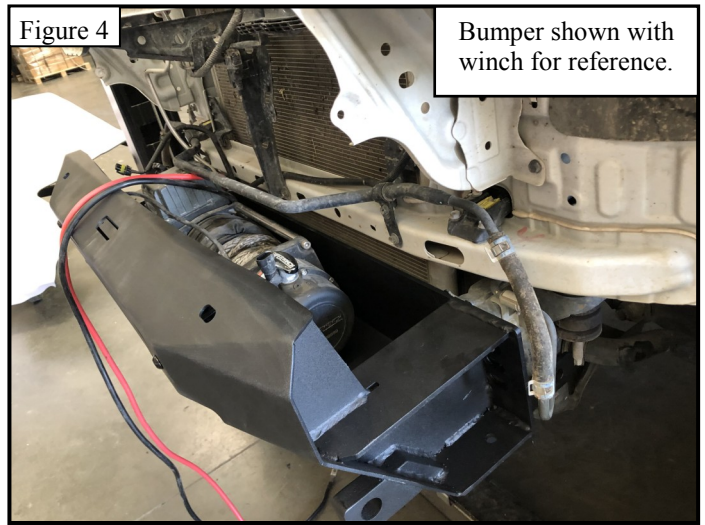
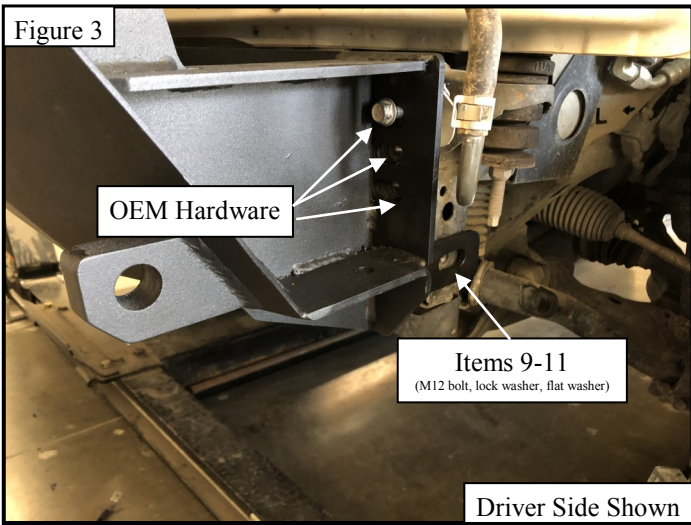


2. Begin by removing the OEM front bumper. To remove the OEM front bumper:
 - Disconnect both fog light wiring harnesses from the fog lights.
 - Carefully begin to pull the bumper off completely.
 3. Once the bumper is removed, the OEM crash bar can be removed from the frame of the vehicle.
4. Remove the plastic trim cover from the lower portion of the OEM bumper by removing the plastic clips.
 5. Next, **trimming** of the OEM bumper is **required** in order to be able to reinstall the bumper. See **Figure 1 & 2** for reference on where to trim the bumper.

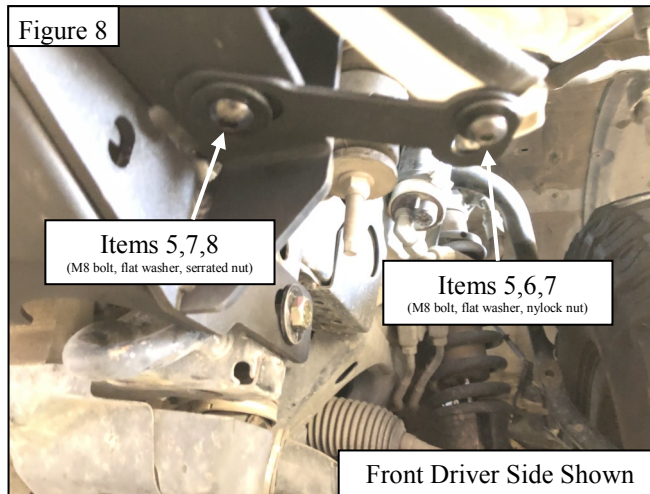


6. Trimming of the splash guards is required to prevent interference with the bumper. Trim as needed.
7. Install the Pro-Series front bumper onto the vehicle loosely while the OEM bumper is off using the OEM hardware and the provided M12 hardware (9-11). See **Figure 3** for reference. Make adjustments as needed.
8. If the bumper does not have the Edge Trim installed (13), install now along the two edges of the bumper and along the area where the bumper is near the AC line of the vehicle. See **Figure 5 & 7** for reference.

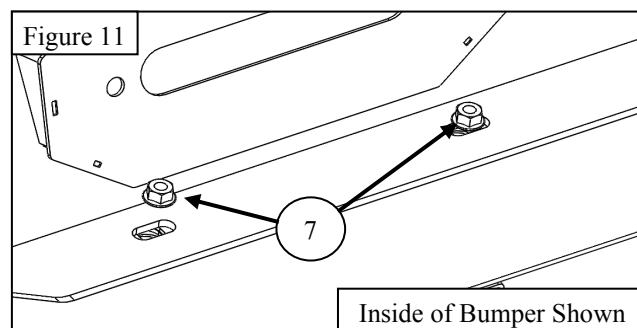
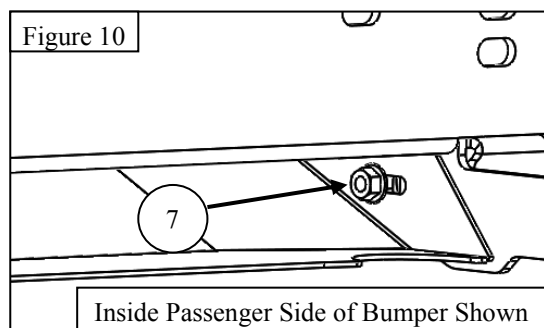
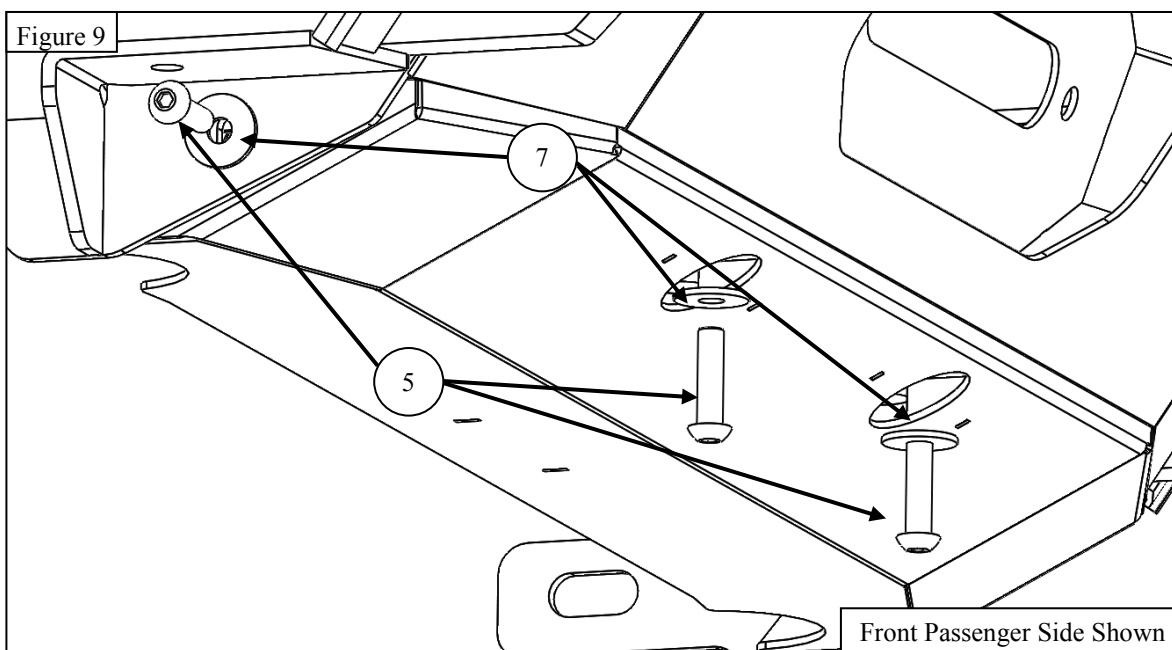
Note: *If installing a winch or a LED light, do so now. For LED light use LED Light Bracket (3), and provided M8 hardware (5,7-8). See Figure 4, 5, and 6 for reference. When installing the winch, leave the 4 bolts loose to be able to install the skid plate.*



8. Reinstall the OEM bumper with the OEM hardware. Plug in any wiring harnesses that were disconnected.
9. Install the OEM Bumper Retainer so that the OEM bumper is secured to the Pro Series Bumper. Use provided M8 hardware (5-7). See **Figure 8** for reference.



10. Install the skid plate for the Pro-Series Bumper using the provided M8 hardware (5,7-8). See **Figure 9, 10, and 11** for reference



COMPLETE INSTALLATION



CARE INSTRUCTIONS

- REGULAR WAXING IS RECOMMENDED. DO NOT USE ANY TYPE OF POLISH OR WAX THAT MAY CONTAIN ABRASIVES.
- STAINLESS STEEL PRODUCTS CAN BE CLEANED WITH MILD SOAP AND WATER. STAINLESS STEEL POLISH SHOULD BE USED TO POLISH SMALL SCRATCHES.
- GLOSS BLACK FINISHES SHOULD BE CLEANED WITH MILD SOAP AND WATER.

WESTIN



WARNING



Failure to follow these instructions could lead to death, personal injury, and / or property damage.

Failure to follow these instructions could lead to death, personal injury, and / or property damage.

FASTENERS:

All Westin supplied fasteners must be utilized and installed in accordance with the installation instructions and apply torque to the specifications as defined. **DOUBLE CHECK ALL FASTENERS BEFORE INITIAL USE, AND PERIODICALLY IN THE FUTURE TO ENSURE PROPER FUNCTION AND SAFETY.**

DRILLING:

Most Westin products do not require drilling for installation. If drilling is defined as required, use caution when drilling a vehicle. **FAILURE TO REVIEW AN AREA TO BE DRILLED MAY RESULT IN PERSONAL INJURY AND/OR INJURY TO OTHERS AS WELL AS VEHICLE DAMAGE.**

EYE PROTECTION:

ALWAYS WEAR SAFETY GLASSES OR GOGGLES DURING THE INSTALLATION PROCESS TO AVOID PERSONAL INJURY.

MAXIMUM TOWING/CARRYING CAPACITY: (if applicable)

The Westin Receiver Hitches will have a visible tow rating label affixed directly on the product. User should never exceed the vehicle manufacturers maximum tow and weight rating regardless of the capacity of the hitch. **FAILURE TO FOLLOW THESE GUIDELINES WILL VOID THE WESTIN WARRANTY AND MAY RESULT IN PERSONAL INJURY AND/OR INJURY TO OTHERS AS WELL AS VEHICLE DAMAGE.**

FOR CALIFORNIA RESIDENTS ONLY-PROP 65 WARNING:

Some products may contain chemicals such as DEHP, which can cause cancer, birth defects or other reproductive harm.



Learn more about grille guards and bull bars we have.