

INSTALLATION INSTRUCTIONS

PRO-MOD BUMPER

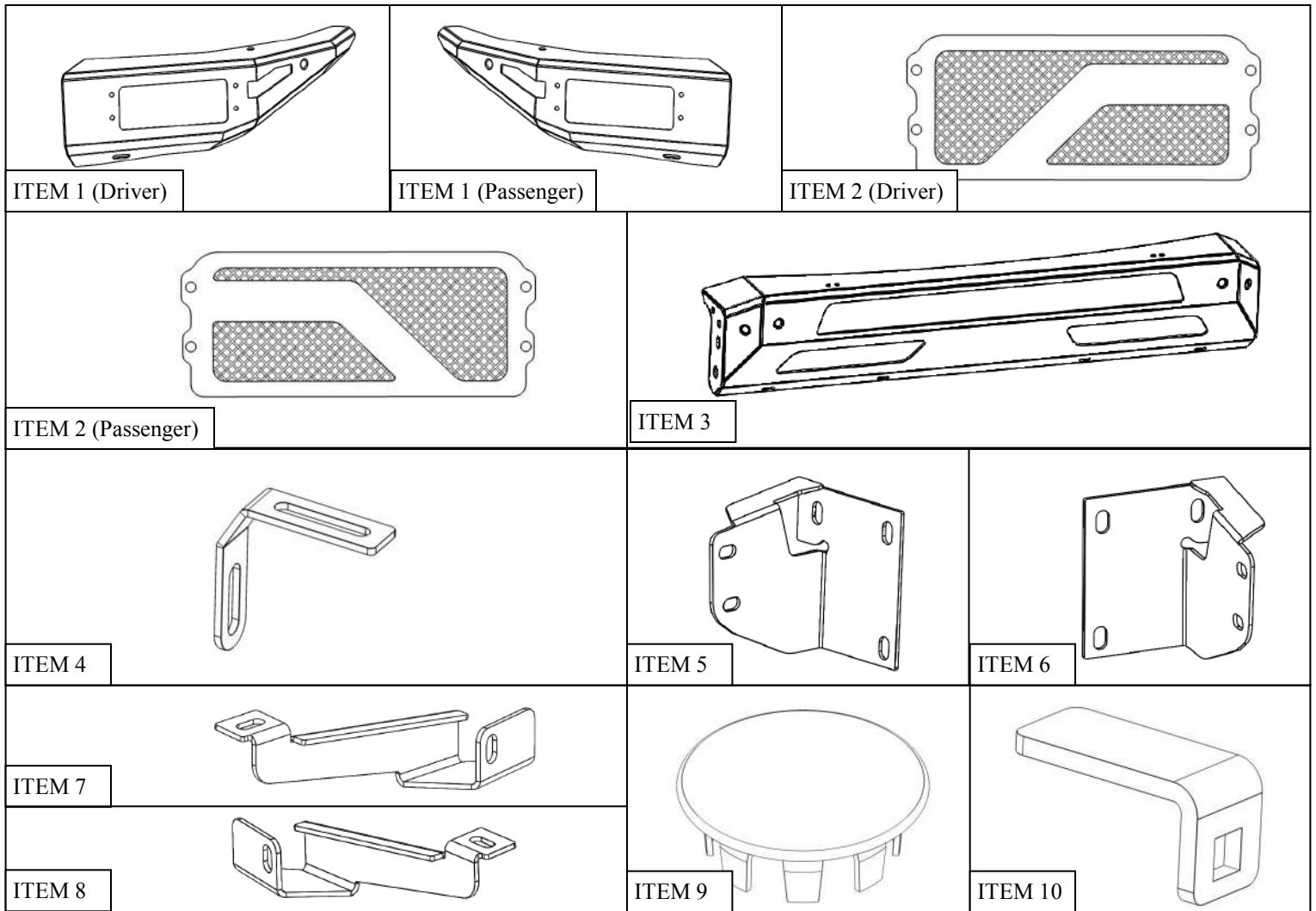


APPLICATION:
2019 Ram 1500 (Excl. 2019 Ram 1500 Classic; Rebel)
PART NUMBER:
58-41075

CONTENT			
ITEM	QUANTITY	DESCRIPTION	TOOLS NEEDED
1	2	SIDE POD ASSEMBLY (1 DRIVER, 1 PASSENGER)	10MM SOCKET
2	2	MESH SIDE COVERS (1 DRIVER, 1 PASSENGER)	10MM WRENCH
3	1	CENTER SECTION	13MM SOCKET
4	1	LED LIGHT BRACKET	13MM WRENCH
5	1	DRIVER MOUNTING BRACKET	16MM SOCKET
6	1	PASSENGER MOUNTING BRACKET	16MM WRENCH
7	1	PASSENGER SUPPORT BRACKET	18MM SOCKET
8	1	DRIVER SUPPORT BRACKET	19MM WRENCH
9	6	HOLE PLUG	RATCHET
10	6	SENSOR TAB	TORQUE WRENCH
11	10	M12 HEX HEAD BOLT (YELLOW ZINC)	
12	10	M12 HEX NUT (YELLOW ZINC)	
13	20	M12 FLAT WASHER (YELLOW ZINC)	
14	10	M12 SPLIT LOCK WASHER (YELLOW ZINC)	
15	6	M6 CARRIAGE BOLT (YELLOW ZINC)	
16	6	M6 SPLIT LOCK WASHER (YELLOW ZINC)	
17	6	M6 HEX NUT (YELLOW ZINC)	
18	12	M6 FLAT WASHERS (YELLOW ZINC)	
19	6	M10 SPLIT LOCK WASHER (BLACK ZINC)	
20	12	M10 FLAT WASHER (BLACK ZINC)	
21	6	M10 HEX HEAD BOLT (BLACK ZINC)	
22	6	M10 HEX NUT (BLACK ZINC)	
23	12	M6 FLAT WASHER (BLACK ZINC)	
24	12	M6 SPLIT LOCK WASHER (BLACK ZINC)	
25	4	M6 BUTTON HEAD BOLT (BLACK ZINC)	
26	12	M6 SERRATED FLANGE NUT (BLACK ZINC)	

ANTI-SEIZE LUBRICANT MUST BE USED ON ALL STAINLESS STEEL FASTENERS TO PREVENT THREAD DAMAGE AND GALLING

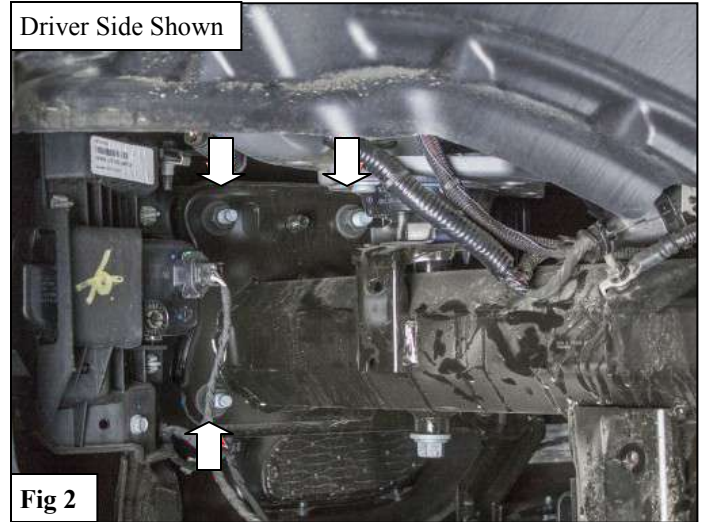
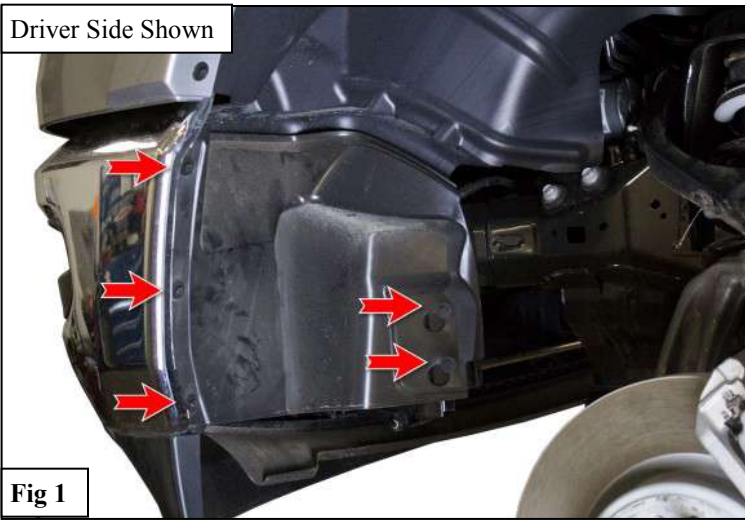




PROCEDURE

1. Remove contents from box, verify if all parts listed are present and free from damage. Carefully read and understand all instructions before attempting installation.
Failure to identify damage before installation could lead to a rejection of any claim.

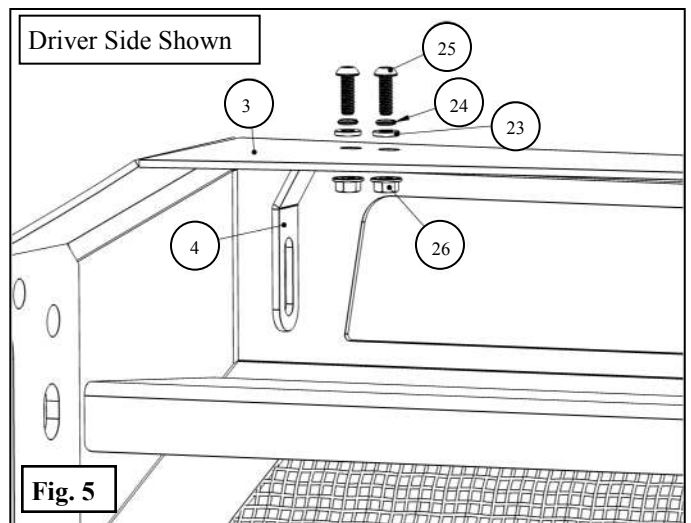
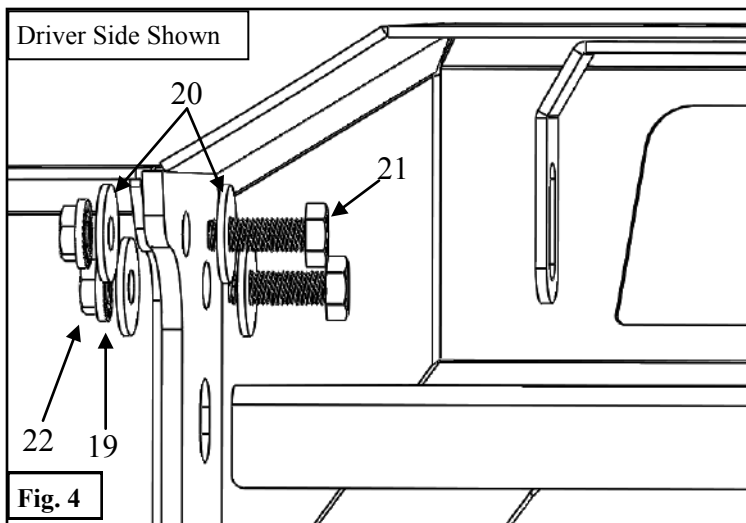
2. Unplug any connections to the OEM front bumper (sensors, fog lights ,etc).
3. Remove the front inner fender pieces by removing the 5 screws shown in **Figure 1**.
4. Remove the three frame mounted bolts from each side of the vehicle. Then, carefully remove the OEM bumper. See **Figure 2**.



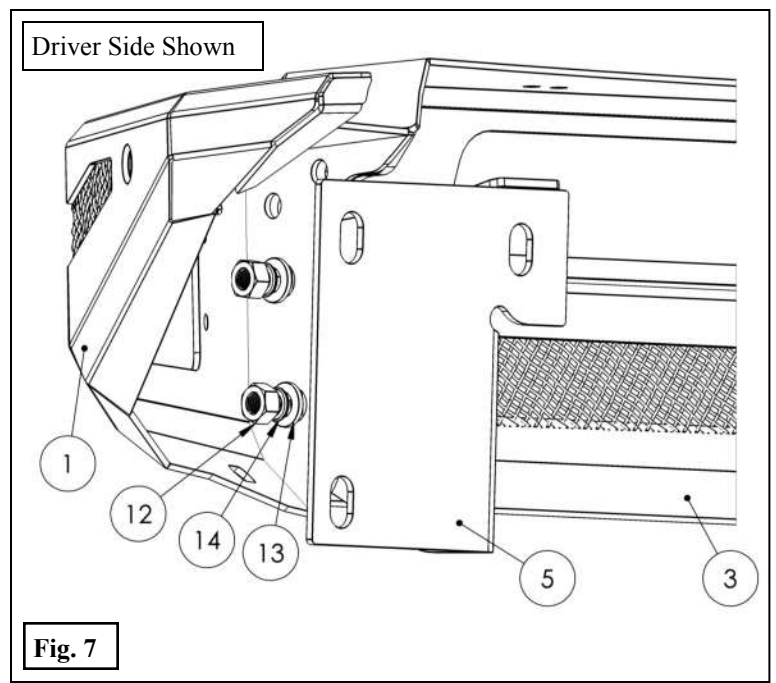
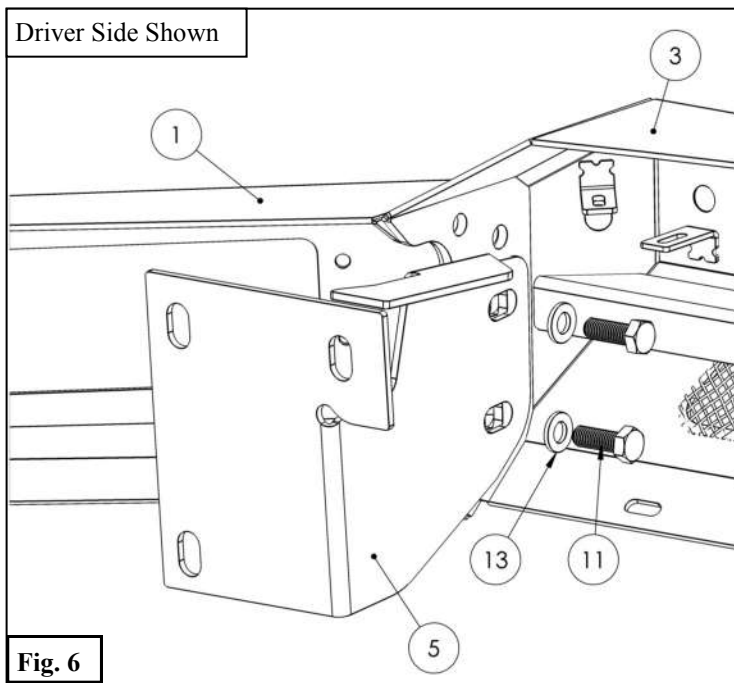
5. Unplug and remove the active valence from the vehicle if equipped. See **Figure 3**.



6. Use the supplied M10 Hardware to attach each Side Pod Assembly (1,2) to the Center Section (3). See **Figure 4**.
7. Tighten side pods in position now. Torque M10 hardware to 38 ft-lbs.
8. Use the supplied M6 Hardware to attach the LED Brackets (4) to the center section. See **Figure 5**. *Note: If installing an LED Light Bar (sold separately), install it at this time.*



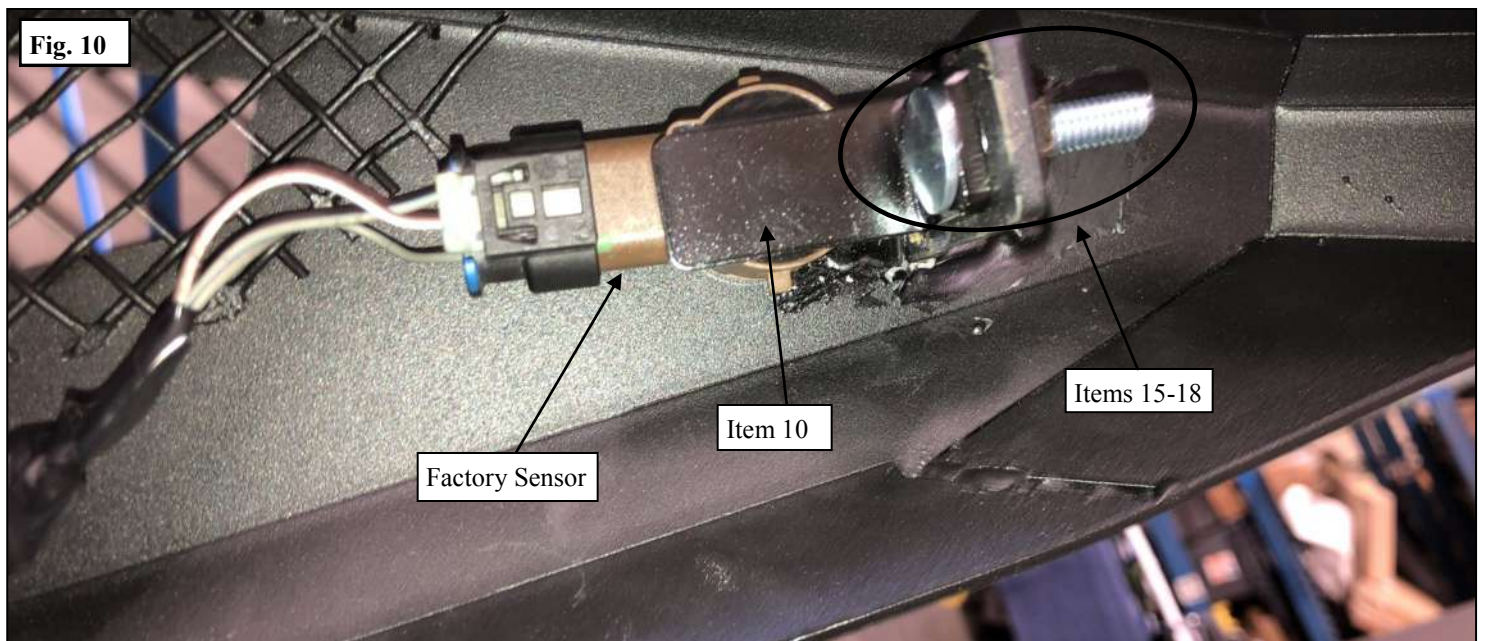
8. Loosely install the bumper assembly to the Mounting Brackets (5,6) using the supplied M12 Hardware. See **Figures 6 & 7.**



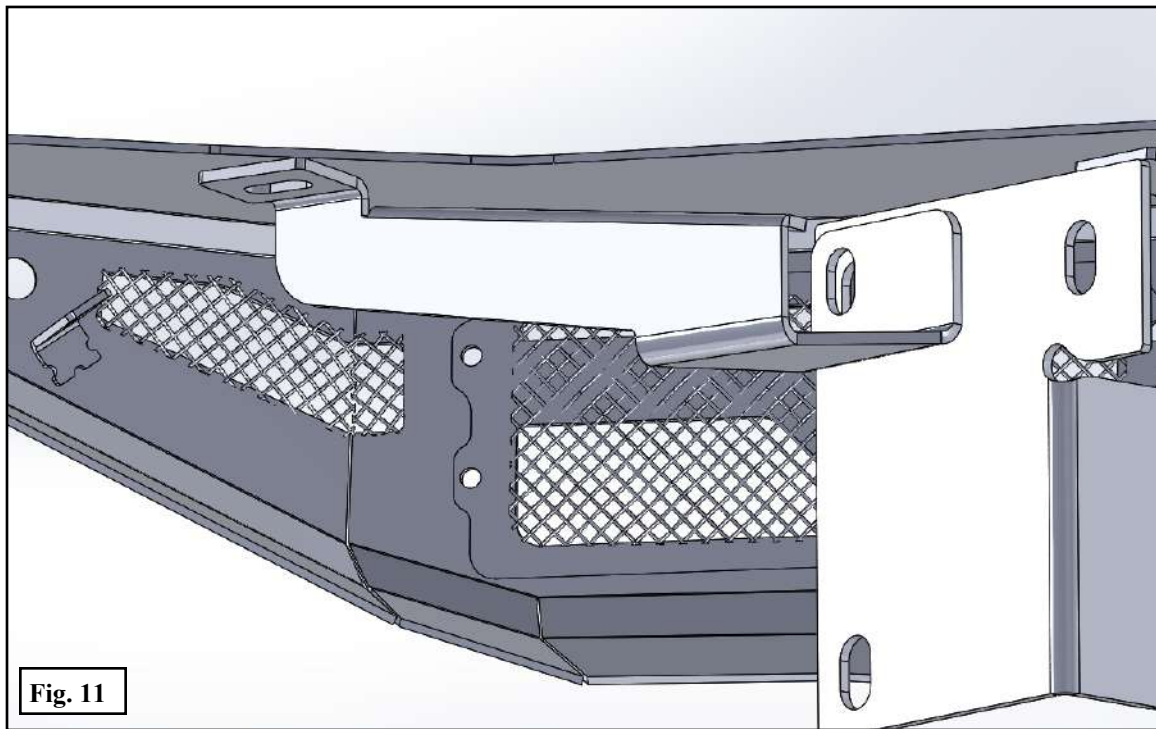
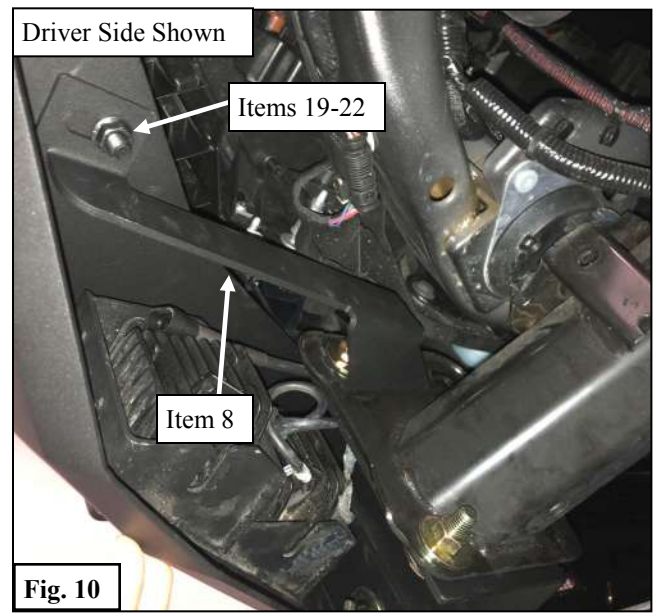
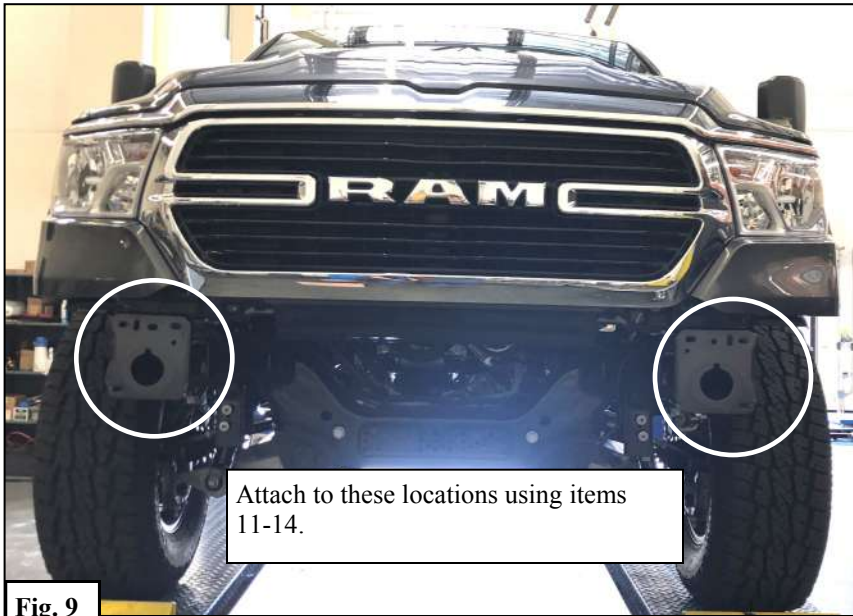
PARKING SENSOR INSTALLATION

***If not installing sensors, install Hole Plugs (9) into holes on bumper and proceed.**

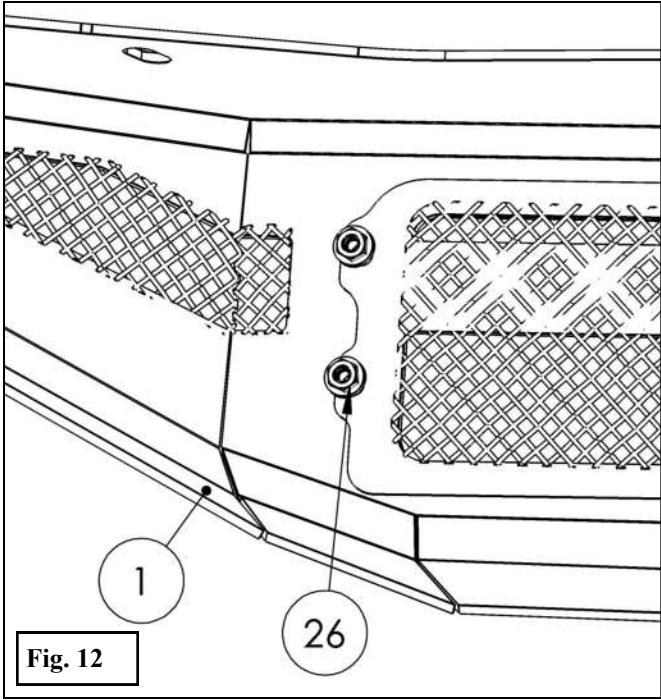
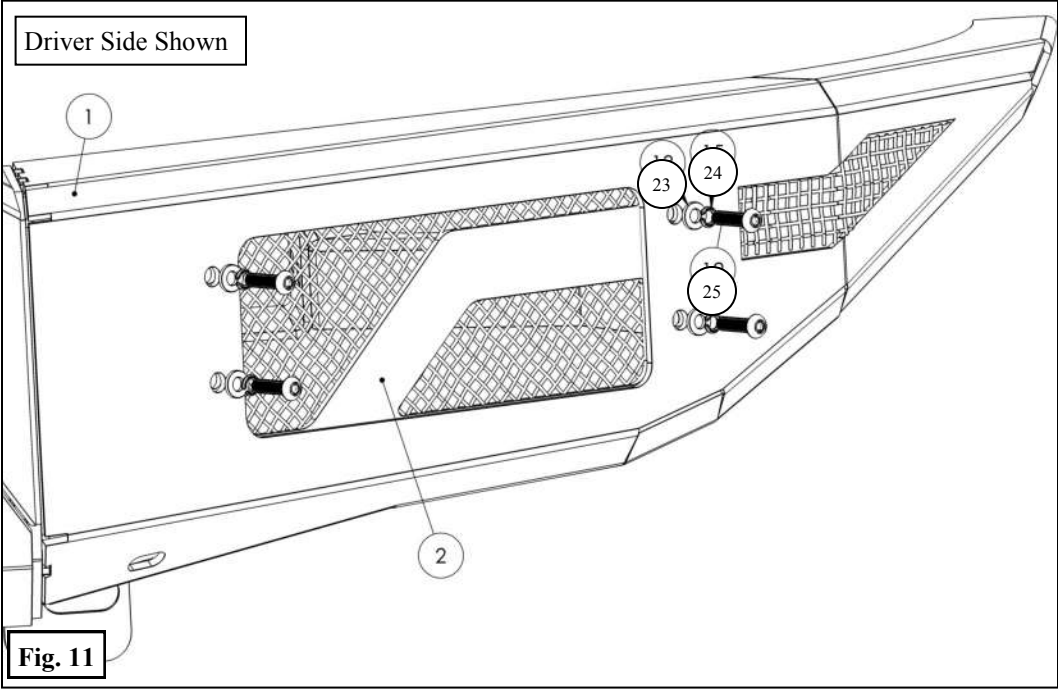
9. Remove the parking sensors from the OEM bumper. Pay attention to the orientation of the sensors. They must be installed in the same orientation. Handle sensors with care, they are very delicate .
 10. Use the Sensor Tab (10) along with the supplied M6 Hardware (15-18) to install the sensors as shown in **Figure 8.**
 11. Carefully route the harness around the bumper.
- Note: Zip ties or double sided tape can e used to route harness and to hold the sensor in position.



11. Loosely attach the preassembled bumper to the vehicle frame using the supplied M12 Hardware. See **Figure 9**.
12. Loosely attach the Support Brackets (7,8) to the rear of the mounting location for the bumper. See **Figure 10 and 11**.



13. Attach the Mesh Side Covers (2) to the Bumper using the supplied M6 Hardware. See **Figures 11 & 12.**



12. Align bumper as desired and torque all hardware as specified: M6 to 7 ft-lbs, M10 to 38 ft-lbs, M12 to 60 ft-lbs.

INSTALLATION COMPLETE



LED Lights, side pod light mounts and skid plate sold separately

CARE INSTRUCTIONS

- REGULAR WAXING IS RECOMMENDED. DO NOT USE ANY TYPE OF POLISH OR WAX THAT MAY CONTAIN ABRASIVES.
- STAINLESS STEEL PRODUCTS CAN BE CLEANED WITH MILD SOAP AND WATER. STAINLESS STEEL POLISH SHOULD BE USED TO POLISH SMALL SCRATCHES.
- GLOSS BLACK FINISHES SHOULD BE CLEANED WITH MILD SOAP AND WATER



WARNING



Failure to follow these instructions could lead to death, personal injury, and / or property damage.

Failure to follow these instructions could lead to death, personal injury, and / or property damage.

FASTENERS:

All Westin supplied fasteners must be utilized and installed in accordance with the installation instructions and apply torque to the specifications as defined. **DOUBLE CHECK ALL FASTENERS BEFORE INITIAL USE, AND PERIODICALLY IN THE FUTURE TO ENSURE PROPER FUNCTION AND SAFETY.**

DRILLING:

Most Westin products do not require drilling for installation. If drilling is defined as required, use caution when drilling a vehicle. **FAILURE TO REVIEW AN AREA TO BE DRILLED MAY RESULT IN PERSONAL INJURY AND/OR INJURY TO OTHERS AS WELL AS VEHICLE DAMAGE.**

EYE PROTECTION:

ALWAYS WEAR SAFETY GLASSES OR GOGGLES DURING THE INSTALLATION PROCESS TO AVOID PERSONAL INJURY.

MAXIMUM TOWING/CARRYING CAPACITY: (if applicable)

The Westin Receiver Hitches will have a visible tow rating label affixed directly on the product. User should never exceed the vehicle manufacturers maximum tow and weight rating regardless of the capacity of the hitch. **FAILURE TO FOLLOW THESE GUIDELINES WILL VOID THE WESTIN WARRANTY AND MAY RESULT IN PERSONAL INJURY AND/OR INJURY TO OTHERS AS WELL AS VEHICLE DAMAGE.**

FOR CALIFORNIA RESIDENTS ONLY-PROP 65 WARNING:

Some products may contain chemicals such as DEHP, which can cause cancer, birth defects or other reproductive harm.

