

# INSTALLATION INSTRUCTIONS

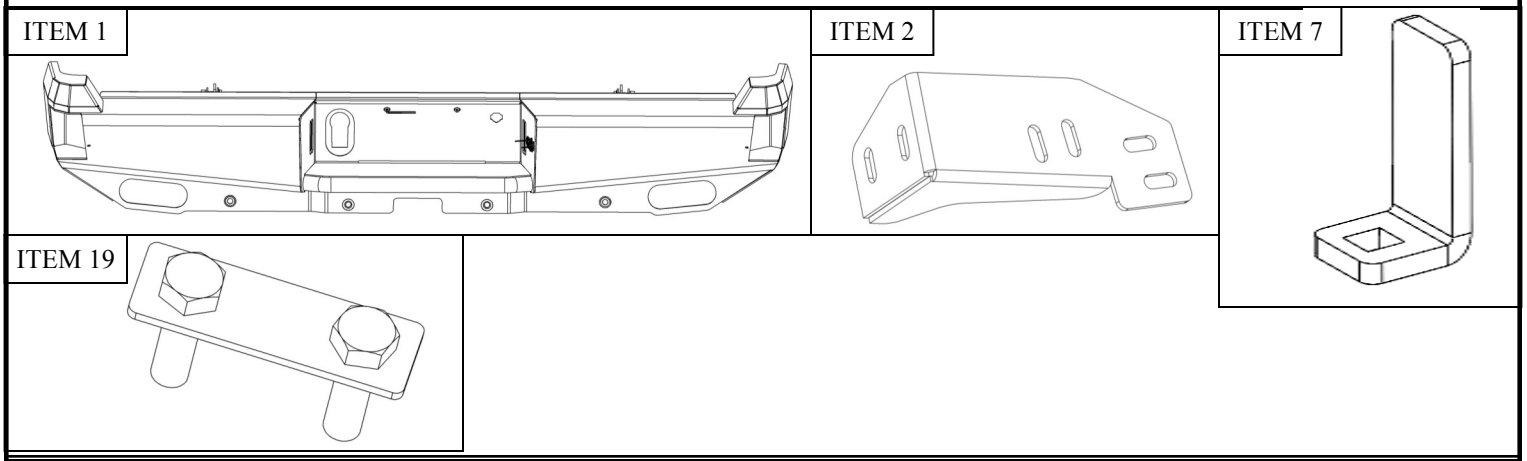
## HDX BANDIT REAR BUMPER



**APPLICATION:**  
2017-2019 Ford F-250/350  
**PART NUMBER:**  
58-341125

CONTENT			
ITEM	QUANTITY	DESCRIPTION	TOOLS NEEDED
1	1	REAR BANDIT BUMPER	19MM SOCKET
2	1	DRIVER MOUNTING BRACKET	19MM WRENCH
3	1	PASSENGER MOUNING BRACKET	10MM SOCKET
4	4	SENSOR PLUGS	10MM WRENCH
5	2	LICENSE PLATE LIGHT	18MM WRENCH
6	2	BACK UP LIGHT	ZIP TIES
7	4	SENSOR L-TAB	RATCHET
8	12	M12 SPLIT LOCK WASHER	TORQUE WRENCH
9	8	M12 FLANGE BOLT	
10	20	M12 FLAT WASHER	
11	12	M12 HEX NUT	
12	2	M6 BUTTON HEAD BOLT	
13	6	M6 FLAT WASHER	
14	2	M6 SERRATED FLANGE NUT	
15	4	M6 CARRIAGE BOLT	
16	4	M6 SPLIT LOCK WASHER	
17	4	M6 HEX NUT	
18	6	T-TAP CONNECTORS	
19	2	M12 DOUBLE BOLT PLATE	

**ANTI-SEIZE LUBRICANT MUST BE USED ON ALL STAINLESS STEEL FASTENERS TO PREVENT THREAD DAMAGE AND GALLING**

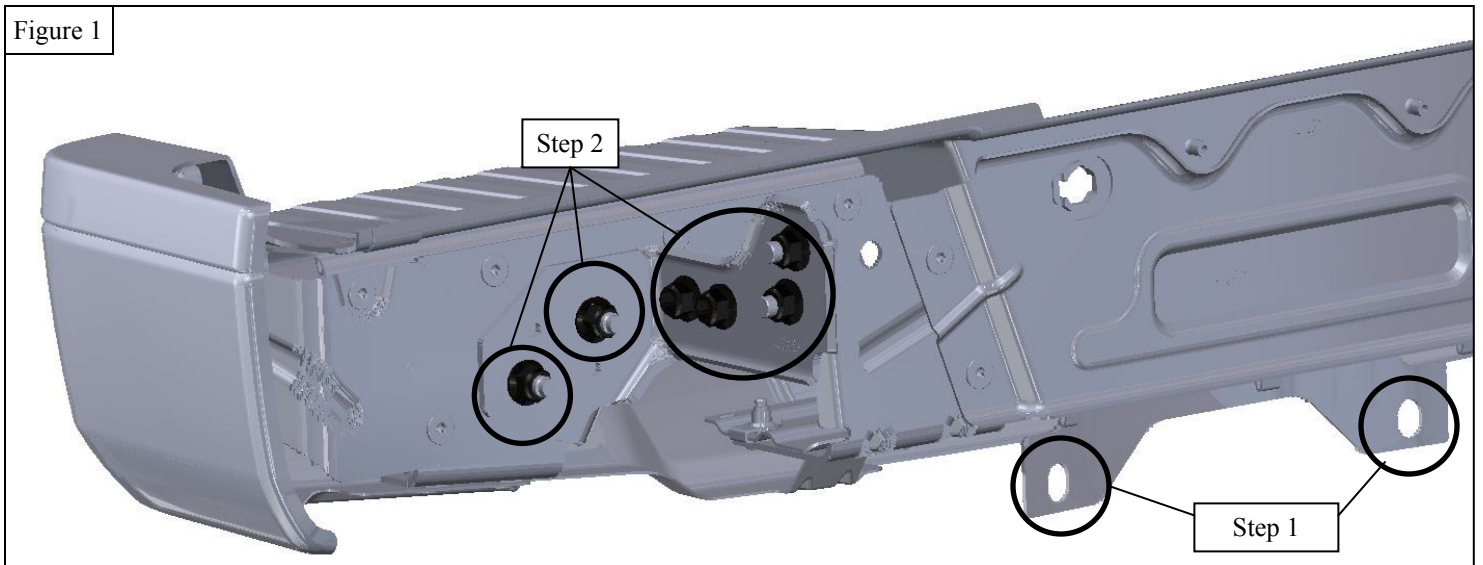


## PROCEDURE

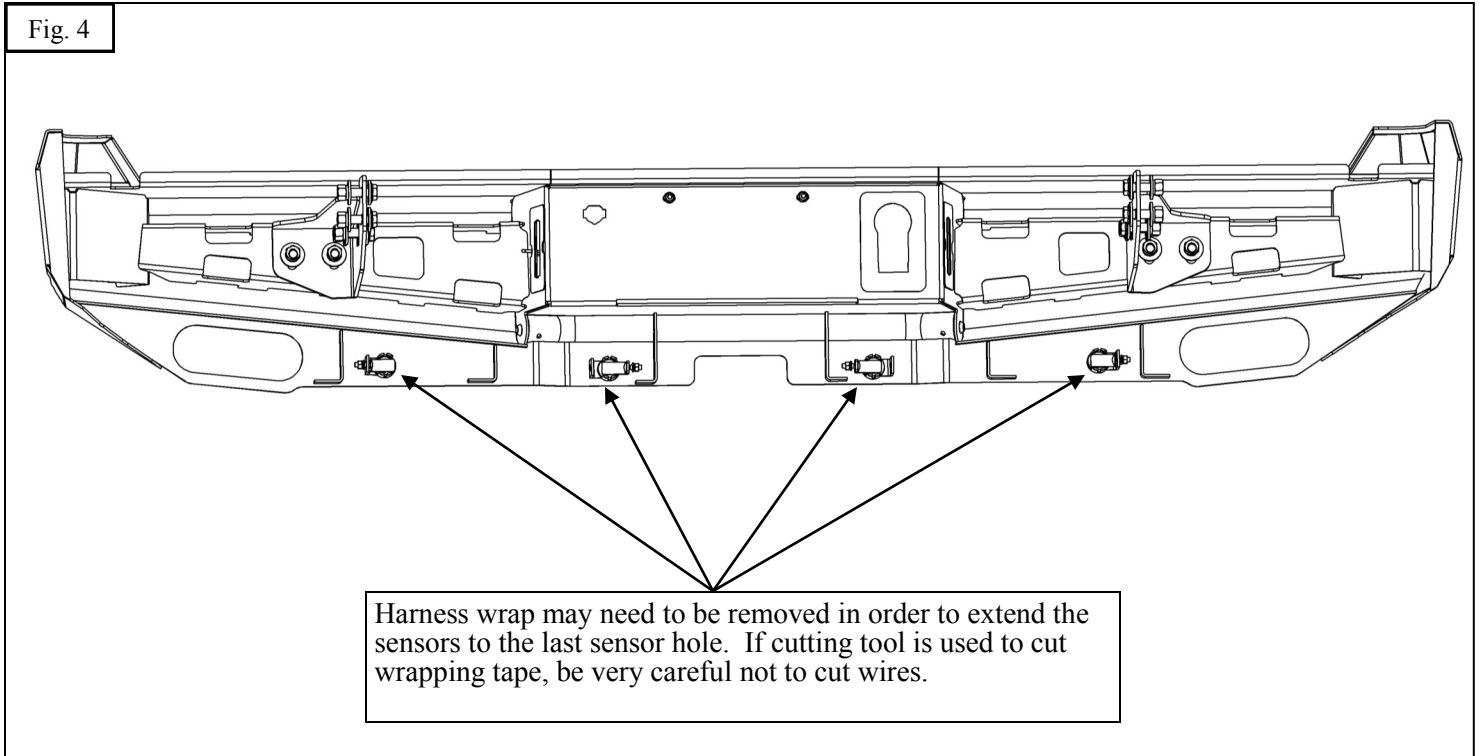
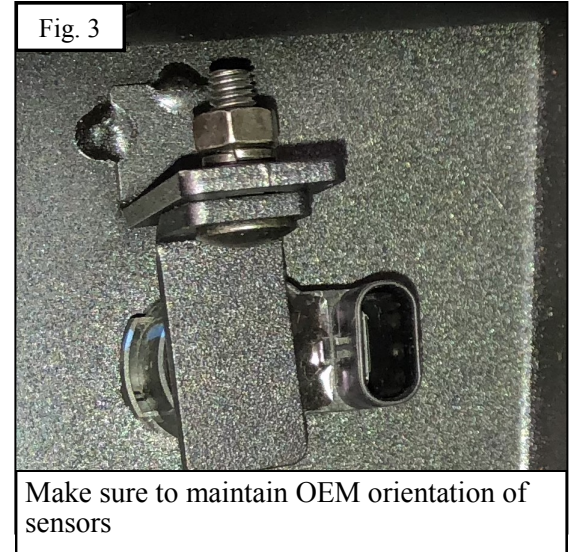
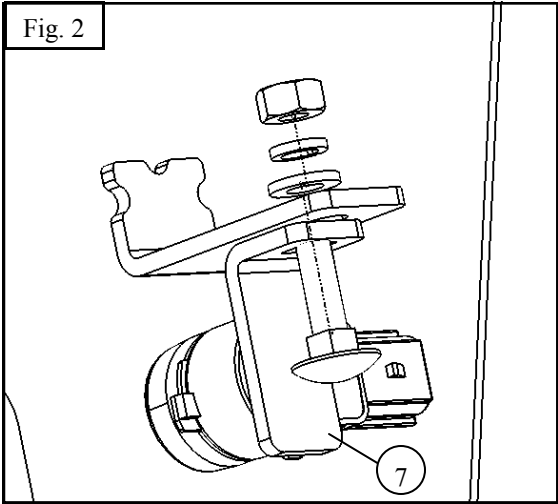
1. Remove contents from box, verify if all parts listed are present and free from damage.  
Carefully read and understand all instructions before attempting installation.  
**Failure to identify damage before installation could lead to a rejection of any claim.**

1. Remove all electrical connections.
2. Remove the two lower bolts at the bottom of the bumper. See **Figure 1**
3. Remove the six bolts holding the rear bumper on.
4. Remove the rear bumper.

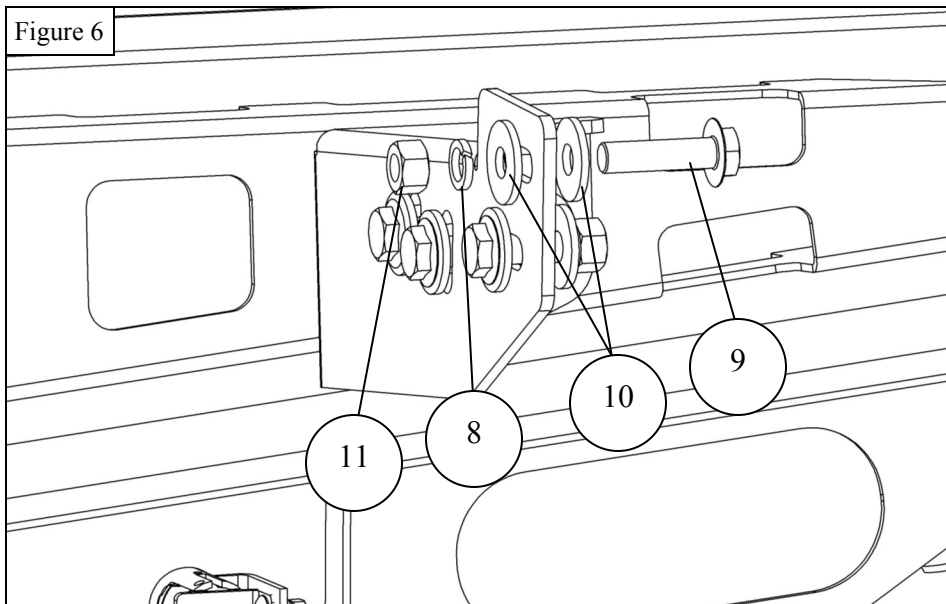
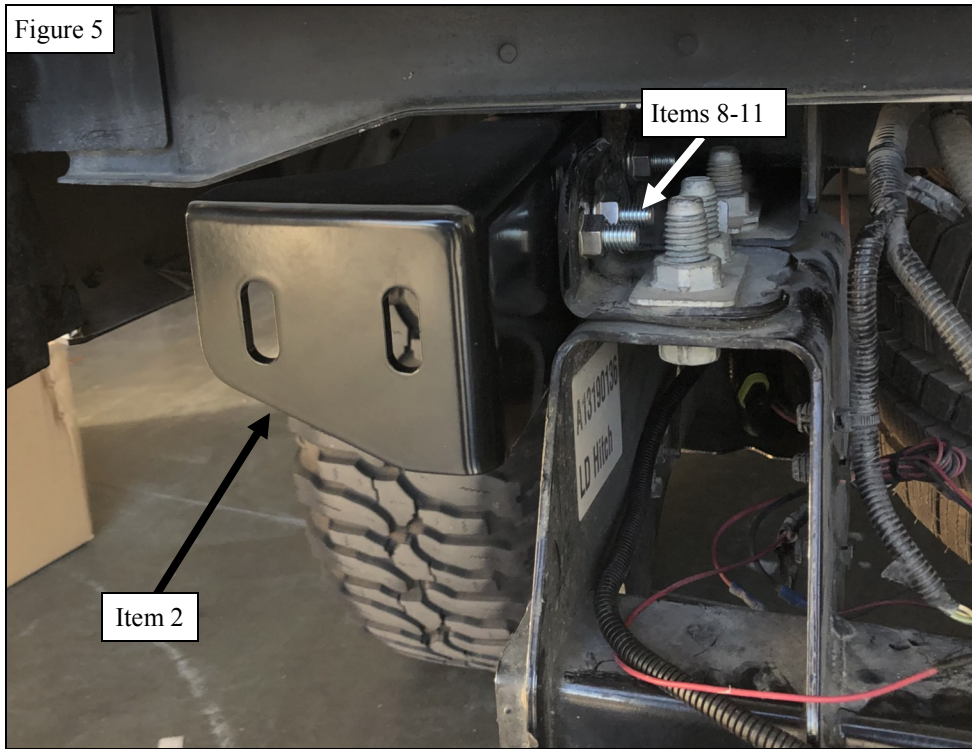
Figure 1



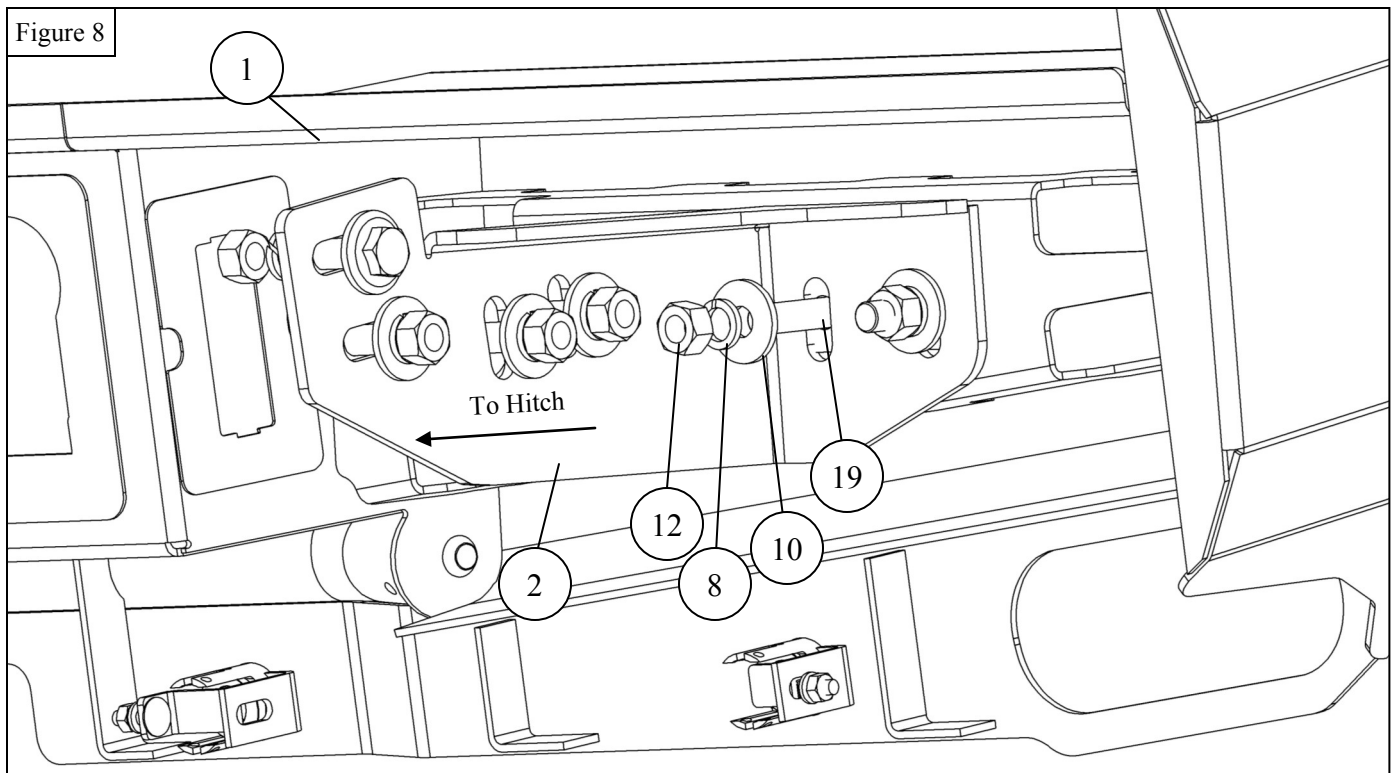
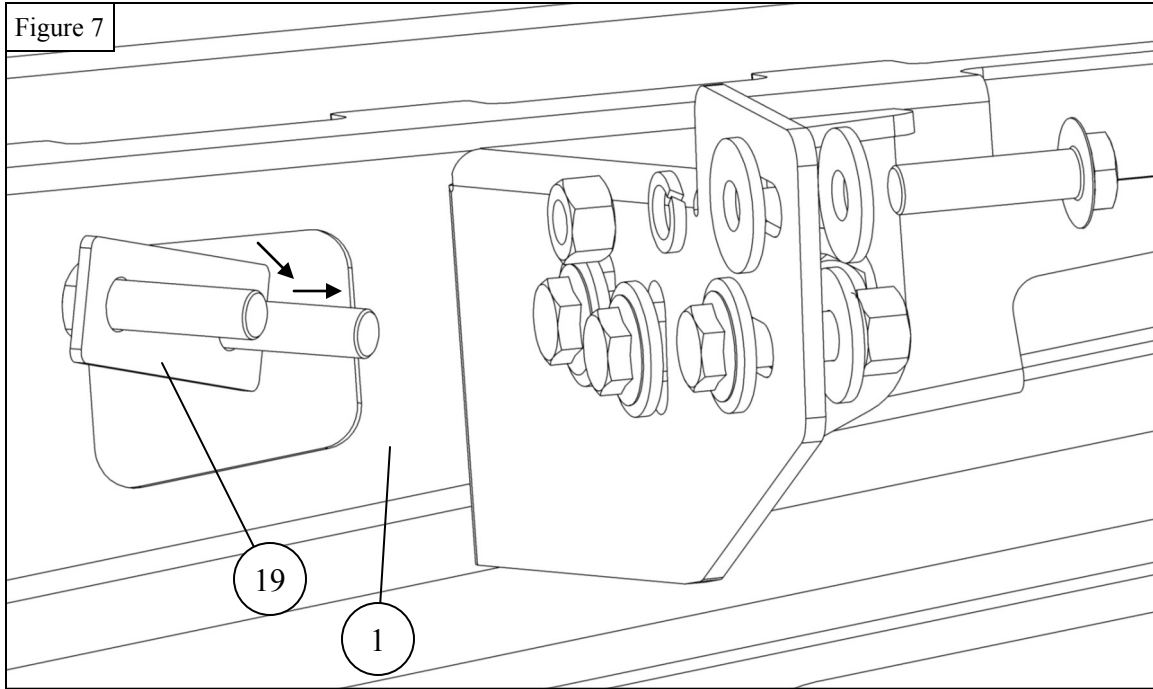
5. **If sensors are equipped:** Install parking sensors by inserting into the holes on bumper and pressing with sensor L-tabs against bumper plate. Fasten L-tabs with the supplied M6 hardware (13-16) . **See Figure 2-4.** Use supplied double sided tape between sensor and L-Tab to keep the sensor from rotating.  
**If sensors are not equipped:** Place the supplied plugs in the sensor holes.
6. Use zip ties to secure sensor in place.  
*Note:* Be sure to maintain the orientation of the sensor so that it remains consistent with its original orientation.
7. Tighten M6 hardware to 5-7 ft-lbs.



8. Using the supplied M12 hardware, loosely assemble the mounting brackets to the factory tow hitch. See Figure 5-6



9. Insert the supplied M12 bolt plates into the bumper. See Figure 7.
10. With help, loosely assemble the bumper to the mounting brackets. See Figure 8.





11. Install the trailer plug in to the trailer plug slot in the Bandit bumper.
12. Install the license plate at this time
13. In order to install the lights in the bumper, T-tap connectors are supplied to splice in to the factory wiring harness. It is recommended that this be done by a professional installer in order to properly set up the wiring.

**WARNING .**

**After you have mounted bumper on main brackets. CAREFULLY open tailgate. While tailgate is open, adjust the height of the bumper so that it has about 3/8" of clearance with respect to the tailgate. Then, tighten all M12 hardware to 50-55 ft-lbs.**

**INSTALLATION COMPLETED**



**CARE INSTRUCTIONS**

- REGULAR WAXING IS RECOMMENDED. DO NOT USE ANY TYPE OF POLISH OR WAX THAT MAY CONTAIN ABRASIVES.
- STAINLESS STEEL PRODUCTS CAN BE CLEANED WITH MILD SOAP AND WATER. STAINLESS STEEL POLISH SHOULD BE USED TO POLISH SMALL SCRATCHES.
- GLOSS BLACK FINISHES SHOULD BE CLEANED WITH MILD SOAP AND WATER.

**WESTIN**



## WARNING



Failure to follow these instructions could lead to death, personal injury, and / or property damage.

Failure to follow these instructions could lead to death, personal injury, and / or property damage.

### FASTENERS:

All Westin supplied fasteners must be utilized and installed in accordance with the installation instructions and apply torque to the specifications as defined. **DOUBLE CHECK ALL FASTENERS BEFORE INITIAL USE, AND PERIODICALLY IN THE FUTURE TO ENSURE PROPER FUNCTION AND SAFETY.**

### DRILLING:

Most Westin products do not require drilling for installation. If drilling is defined as required, use caution when drilling a vehicle. **FAILURE TO REVIEW AN AREA TO BE DRILLED MAY RESULT IN PERSONAL INJURY AND/OR INJURY TO OTHERS AS WELL AS VEHICLE DAMAGE.**

### EYE PROTECTION:

**ALWAYS WEAR SAFETY GLASSES OR GOGGLES DURING THE INSTALLATION PROCESS TO AVOID PERSONAL INJURY.**

### MAXIMUM TOWING/CARRYING CAPACITY: (if applicable)

The Westin Receiver Hitches will have a visible tow rating label affixed directly on the product. User should never exceed the vehicle manufacturers maximum tow and weight rating regardless of the capacity of the hitch. **FAILURE TO FOLLOW THESE GUIDELINES WILL VOID THE WESTIN WARRANTY AND MAY RESULT IN PERSONAL INJURY AND/OR INJURY TO OTHERS AS WELL AS VEHICLE DAMAGE.**

### FOR CALIFORNIA RESIDENTS ONLY-PROP 65 WARNING:

Some products may contain chemicals such as DEHP, which can cause cancer, birth defects or other reproductive harm.



Learn more about off-road bumpers we have.