

INSTALLATION INSTRUCTIONS

HDX BANDIT FRONT BUMPER

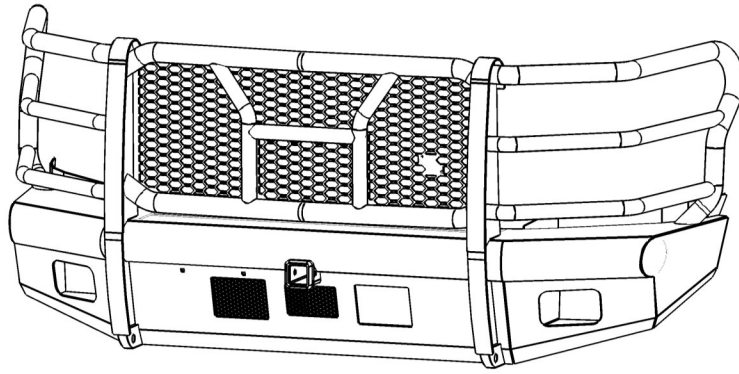


APPLICATION:
2018-2019 Ford F-150
PART NUMBER:
58-31105

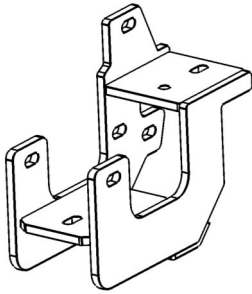
CONTENT			
ITEM	QUANTITY	DESCRIPTION	TOOLS NEEDED
1	1	FRONT BUMPER ASSEMBLY	18MM SOCKET
2	1	DRIVER SIDE MOUNTING BRACKET	18MM WRENCH
3	1	PASSENGER SIDE MOUNTING BRACKET	13MM SOCKET
4	1	DRIVER SIDE SUPPORT BRACKET	13MM WRENCH
5	1	PASSENGER SIDE SUPPORT BRACKET	10MM SOCKET
6	4	BRACKET SPACER PLATES	10MM WRENCH
7	2	FOG LIGHT UPPER U-BRACKET; 1 PASSENGER, 1 DRIVER	RATCHET
8	2	LOWER U-BRACKETS	TORQUE WRENCH
9	1	ADAPTIVE CRUISE CONTROL (ACC) WINDOW	
10	1	ACC SUPPORT BRACKET A (DRIVER)	
11	1	ACC SUPPORT BRACKET B (PASSENGER)	
12	1	ACC PLASTIC COVER	
13	2	M12 DOUBLE NUT PLATES	
14	2	PLASTIC PLUGS	
15	2	LONG M12 HEX BOLT	
16	14	SHORT M12 HEX BOLT	
17	28	M12 FLAT WASHER	
18	12	M12 NYLON LOCK NUT	
19	4	M12 LOCK WASHER	
20	4	M8 HEX BOLT	
21	8	M8 FLAT WASHER	
22	4	M8 NYLON LOCK NUT	
23	2	LONG M6 HEX BOLT	
24	3	M6 BUTTON HEAD BOLT	
25	4	SHORT M6 HEX BOLT	
26	11	M6 FLAT WASHER	
27	9	M6 LOCK WASHER	
28	5	M6 HEX NUT	

ANTI-SEIZE LUBRICANT MUST BE USED ON ALL STAINLESS STEEL FASTENERS TO PREVENT THREAD DAMAGE AND GALLING

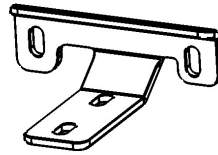




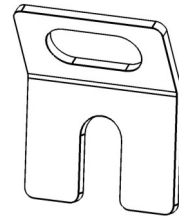
ITEM 1



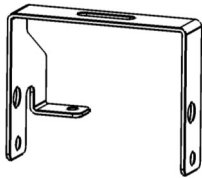
ITEM 2



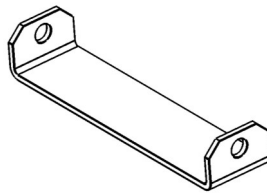
ITEM 4



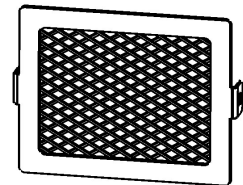
ITEM 6



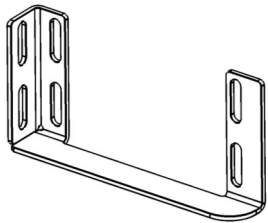
ITEM 7



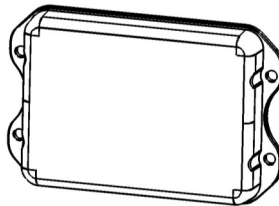
ITEM 8



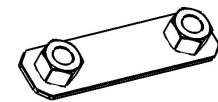
ITEM 9



ITEM 10



ITEM 12



ITEM 13

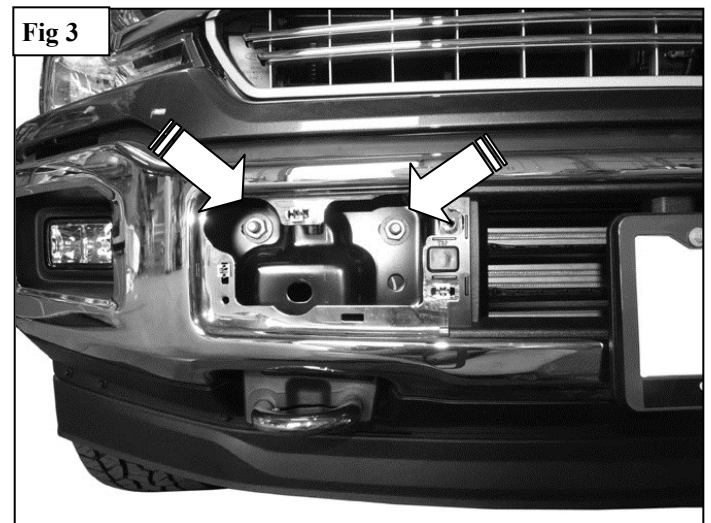
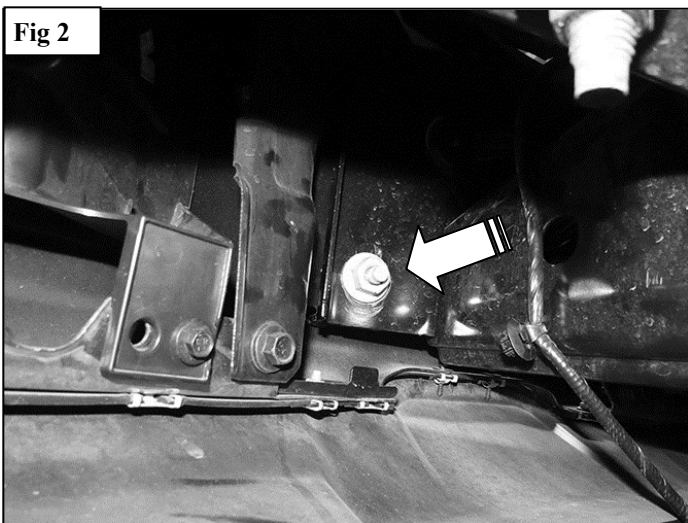
DRIVER SIDE ITEMS SHOWN; PASSENGER SIDE OPPOSITE

PROCEDURE

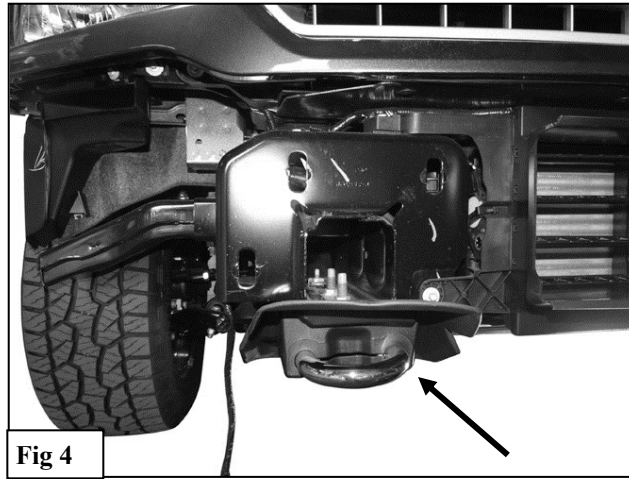
1. Remove contents from box, verify if all parts listed are present and free from damage. Carefully read and understand all instructions before attempting installation.
Failure to identify damage before installation could lead to a rejection of any claim.
2. Remove the license plate and bracket. Release the wiring harness from the clips attached to the back of the bumper. Move all wiring harnesses away from bumper.
3. Next, remove the plastic bumper pad assembly, **(Figure 1)**. **NOTE:** Release metal clips from back of bumper to remove bumper pad assembly. It may be easier to access bumper hardware with plastic air dam removed from bottom of bumper.



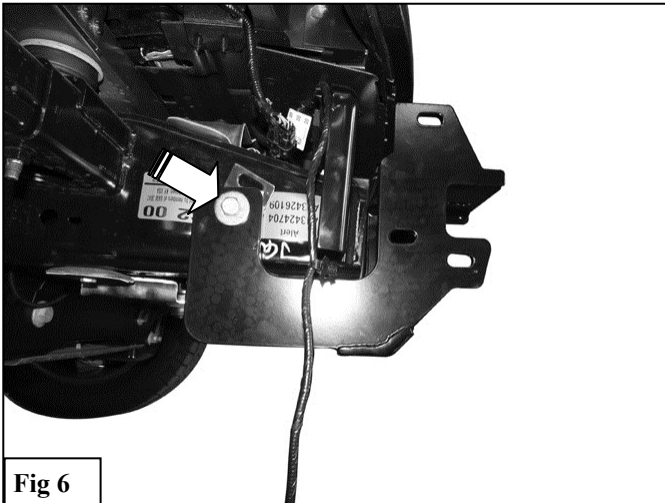
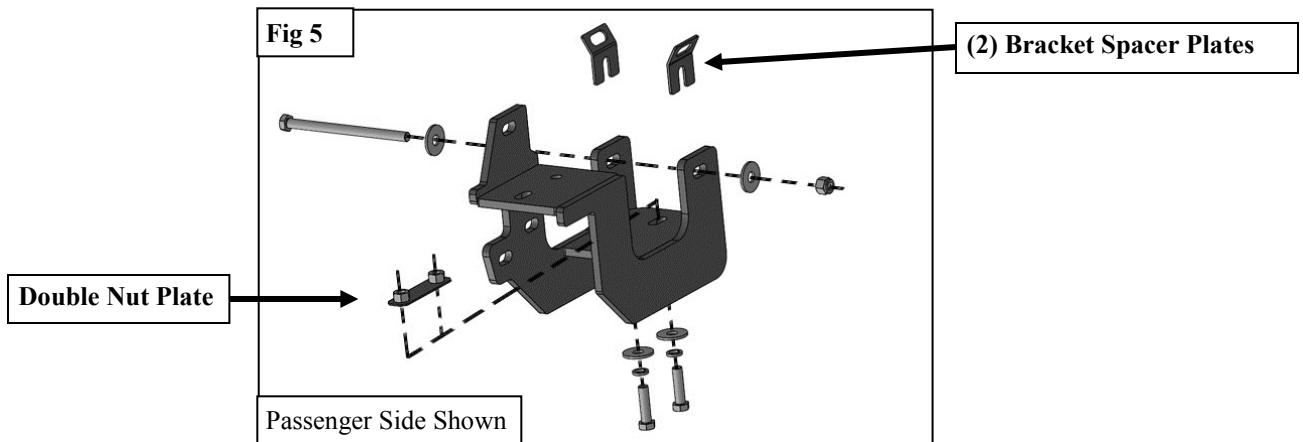
4. Place blocks or jack stands under the front bumper to support it during mounting bolt removal. Once the bumper has been safely supported, remove the large hex nut from the back of each bumper bracket, **(Figure 2)**. Next, from the front of the bumper, remove the (2) factory hex nuts attaching the bumper to each bumper bracket, **(Figure 3)**. **WARNING!** Assistance is required to hold the bumper in place during bolt removal to prevent the bumper from falling. Carefully slide the bumper off over the tow hooks.



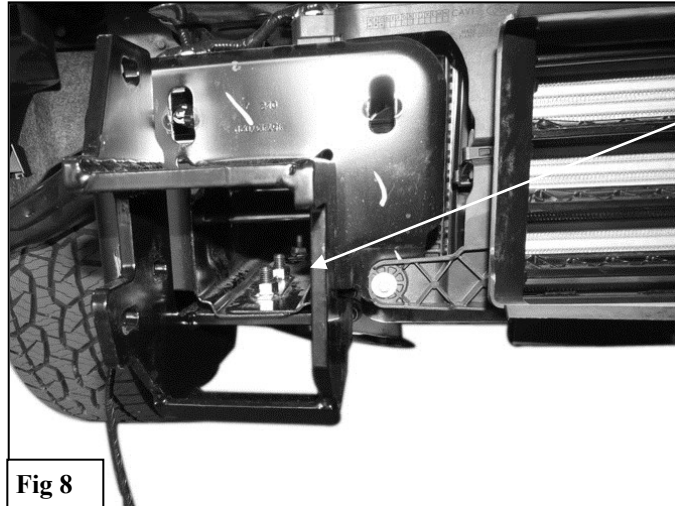
5. Remove the passenger side tow hook and plastic cover, (if equipped), from the bottom of the frame, (**Figure 4**). Repeat to remove the driver side tow hook if equipped.



6. Next, select the passenger side Frame Mounting Bracket. Slide the Bracket over the end of the frame. Insert (1) 12mm x 175mm Long Hex Bolt with (1) 12mm Flat Washer through the outside of the mounting tab on the Frame Bracket, through the frame and inside tab. Secure with (1) 12mm Flat Washer and (1) 12mm Nylon Lock Nut. Insert (1) Spacer Plate down between each mounting tab and the side of the frame, (**Figures 5—7**). Do not fully tighten hardware.



7. Insert (1) 12mm Double Nut Plate into the open end of the frame. Attach the Frame Bracket to the bottom of the frame and the Double Nut Plate with (2) 12mm x 45mm Hex Bolts, (2) 12mm Lock Washers and (2) 12mm Flat Washers, **(Figures 5 & 8)**. **NOTE:** On models with tow hooks, reuse the factory nut plate and hardware to install the Frame Bracket. Leave hardware loose at this time.



- (1) 12mm Double Bolt Plate
- (2) 12mm x 45mm Hex Bolts
- (2) 12mm Lock Washers
- (2) 12mm Flat Washers

Fig 8

8. Select the passenger side Frame Support Bracket, **(Figure 9)**. On models without tow hooks, attach the Support Bracket directly to the top of the Frame Bracket with (2) 12mm x 45mm Hex Bolts, (4) 12mm Flat Washers and (2) 12mm Nylon Lock Nuts, **(Figure 10)**. Do not tighten hardware at this time.

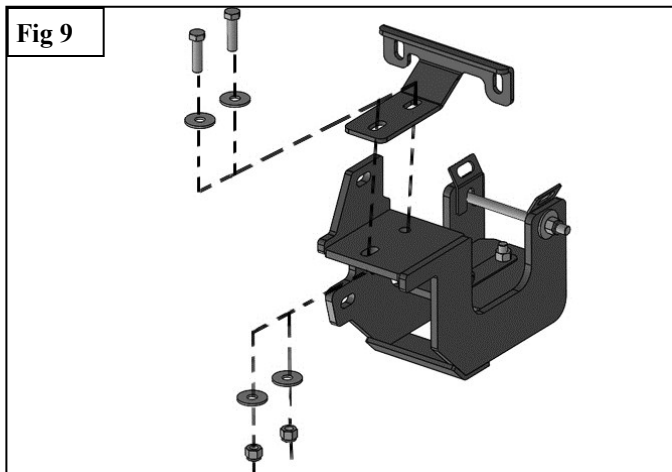
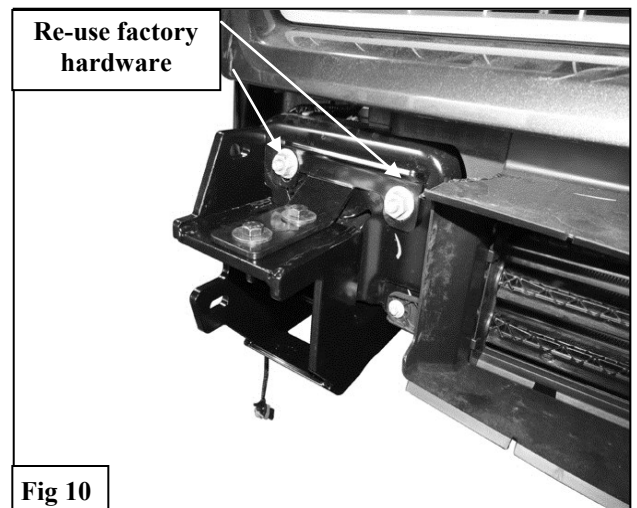


Fig 9

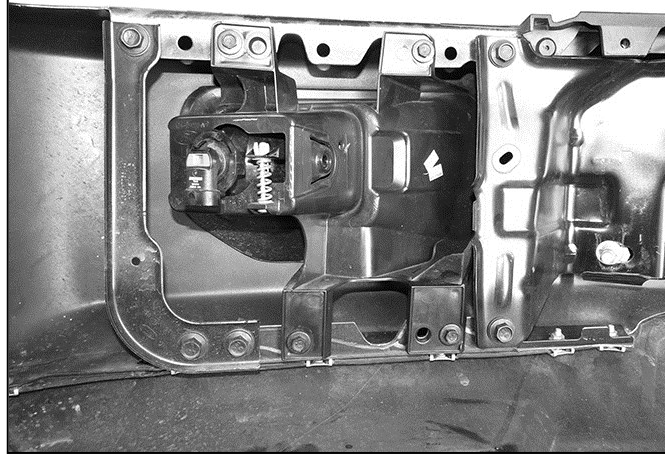


Re-use factory hardware

Fig 10

9. Reuse the factory hardware to attach the Support Bracket to the front of the frame. Do not fully tighten.
10. Repeat **Steps 6—9** to install the driver side Frame Bracket assembly.
11. If equipped with factory fog lights, unplug both lights and remove the complete light assemblies from back of bumper, (**Figure 11**). Unplug and remove the adaptive cruise control, if equipped.

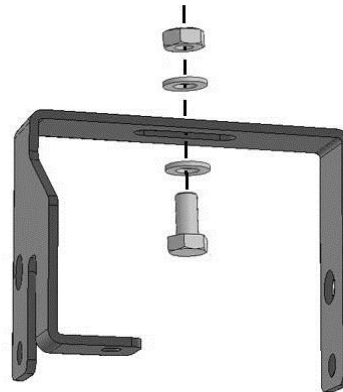
Fig 11



12. Models with factory fog lights:

- Use a flat blade screwdriver to carefully pop out the tabs on the side of the fog light bracket attaching the light to the bracket, (**Figure 11**). Pop the light out of the plastic bracket housing.
- Remove the adjustment screw and spring from the light assembly.
- Select the passenger top U Bracket, (**Figure 12**). Attach the Bracket to the slot in the light opening with (1) 8mm x 20mm Hex Bolt, (2) 8mm Flat Washers and (1) 8mm Nylon Lock Nut, (**Figure 12**).
- Carefully spread the sides of the Bracket enough to slide the OE plastic fog light between and into the Bracket, (**Figure 13**). Attach (1) Lower U Bracket to the Upper Bracket with (2) 6mm x 16mm Hex Bolts, (2) 6mm Lock Washers and (2) 6mm Flat Washers, (**Figure 14**).
- Insert the factory spring between the tab on the Bracket and the light. Insert the screw through the tab, spring and into the fog light, (**Figure 14**).
- Repeat to install the driver/left fog light.

Fig 12



**Optional OEM fog light installation (light not included).
Attach passenger/right Upper Bracket to the slot in top
of the opening**

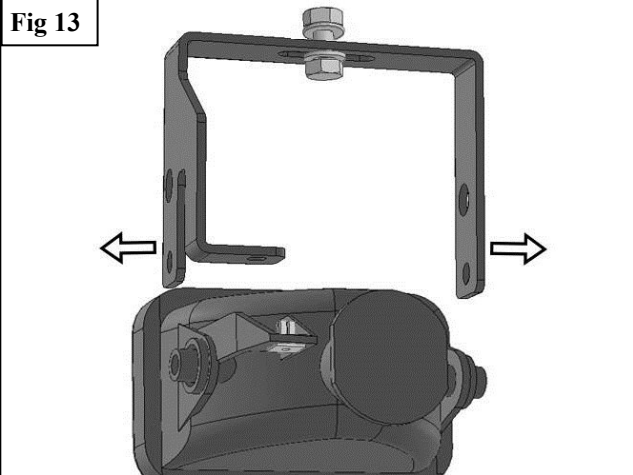


Fig 13
Carefully spread sides to slide OEM fog light into position in pivot holes

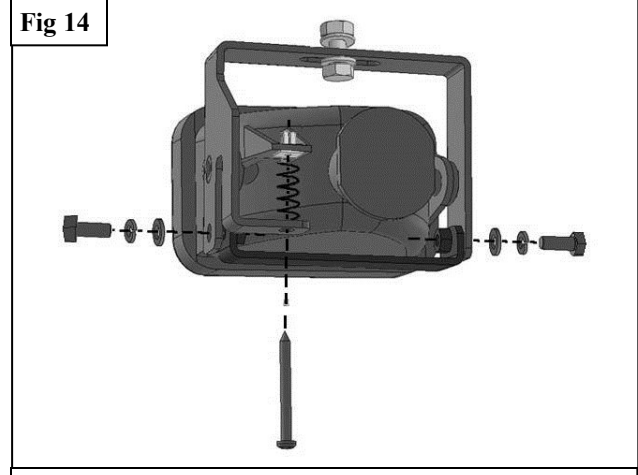


Fig 14
Attach lower U Bracket to Upper Bracket. Reuse factory adjustment hardware (screw, spring and plastic nut)

13. Determine if vehicle is equipped with an adaptive cruise control, (ACC). **NOTE:** Install the ACC assembly onto Bumper before mounting Bumper to end of frame.

Vehicles without ACC:

- Attach the ACC Removable Window to the back of the bumper using (2) 6mm x 25mm Hex Bolts, (4) 6mm Flat Washers, (2) 6mm Lock Washers and (2) 6mm Hex Nuts, (**Figure 15**).
- Continue to **Step 13**.

Vehicles with ACC:

- Select the ACC Plastic Cover and the ACC Support Bracket A, (**Figure 16**). Insert (3) 6mm x 25mm Button Head Bolts through the ACC Plastic Cover, the adaptive cruise control and out through the ACC Support Bracket A. Secure with (3) 6mm Flat Washers, (3) 6mm Lock Washers and (3) 6mm Hex Nuts, (**Figure 16**).
- Next, attach the ACC Support Bracket B to Bracket A using (2) 6mm x 25mm Hex Bolts, (4) 6mm Flat Washers, (2) 6mm Lock Washers and (2) 6mm Hex Nuts, (**Figure 17**).
- Attach the ACC assembly to the back of the bumper using (2) 8mm x 20mm Hex Bolts, (4) 8mm Flat Washers and (2) 8mm Nylon Lock Nuts, (**Figure 18**).

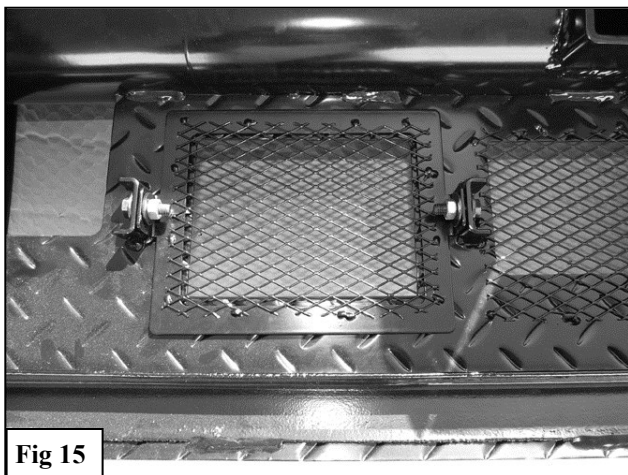


Fig 15

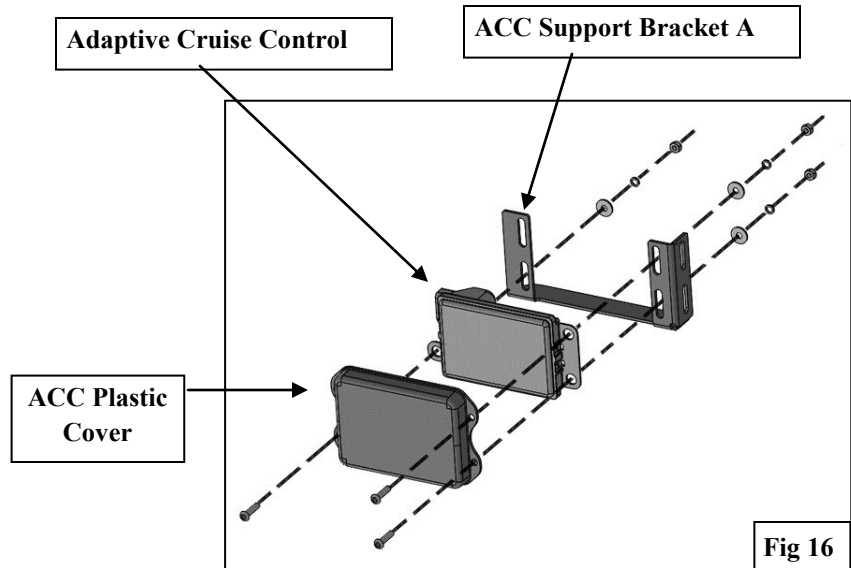
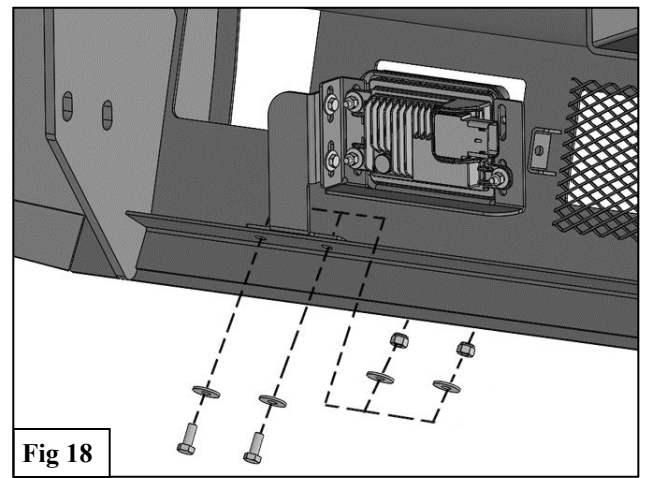
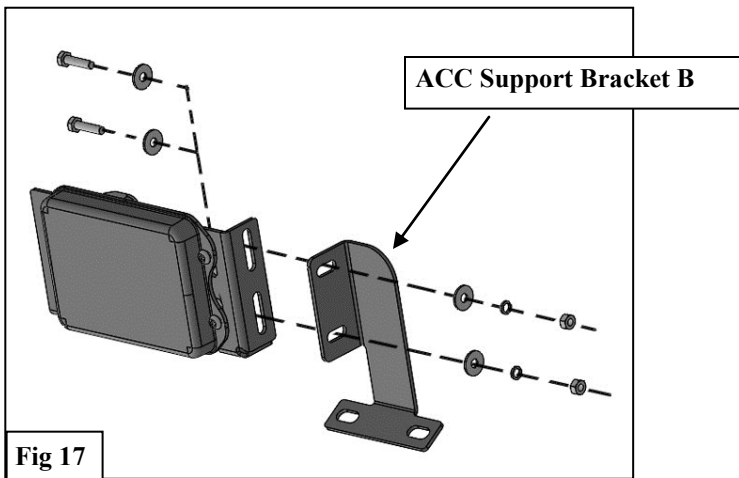
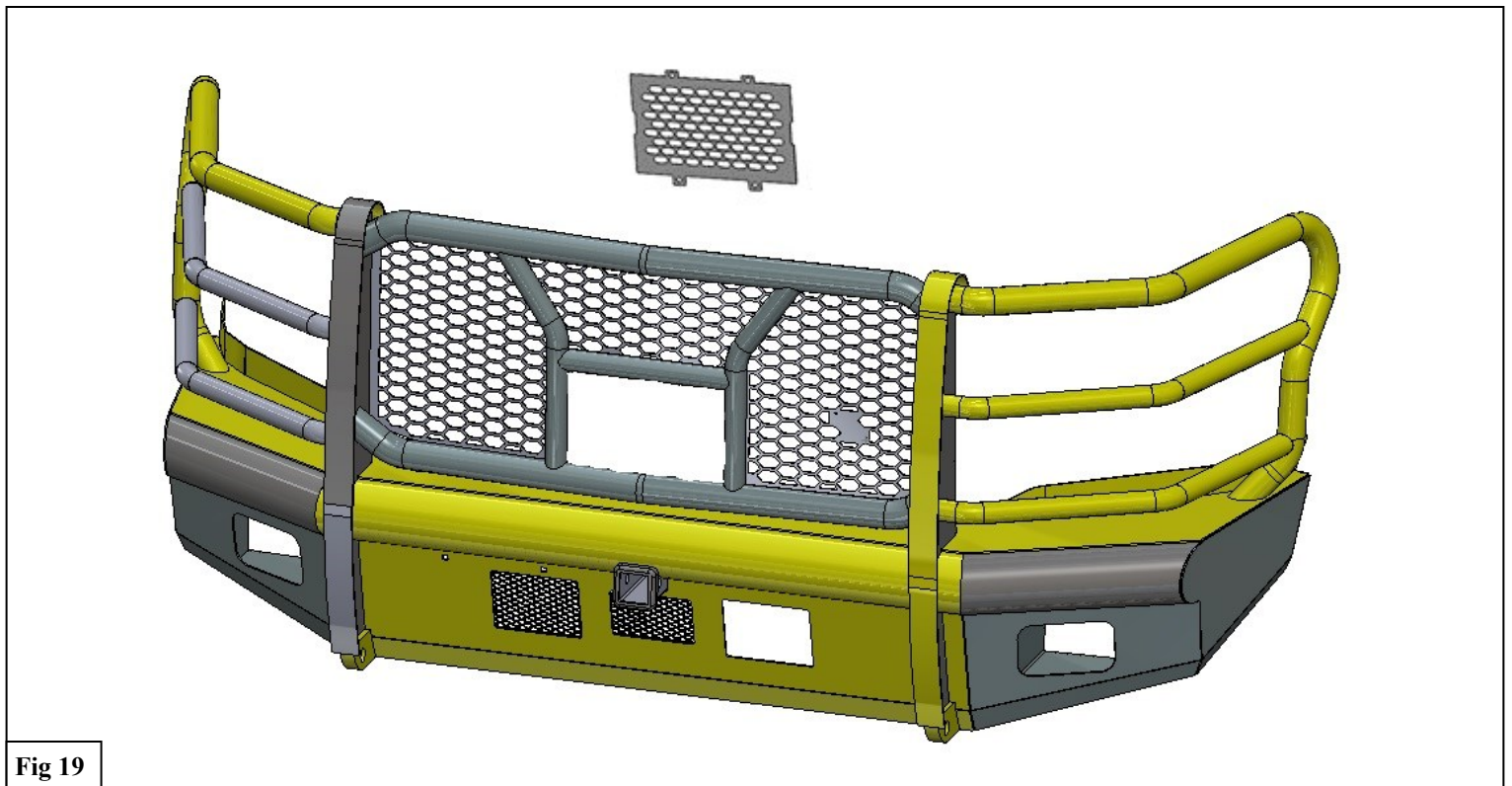


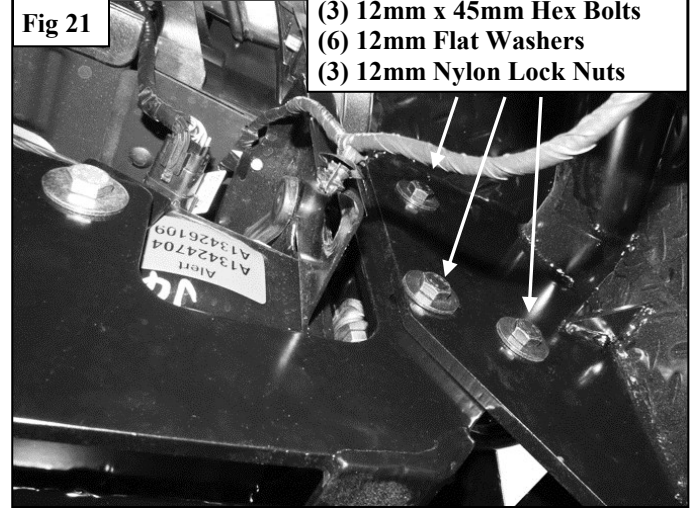
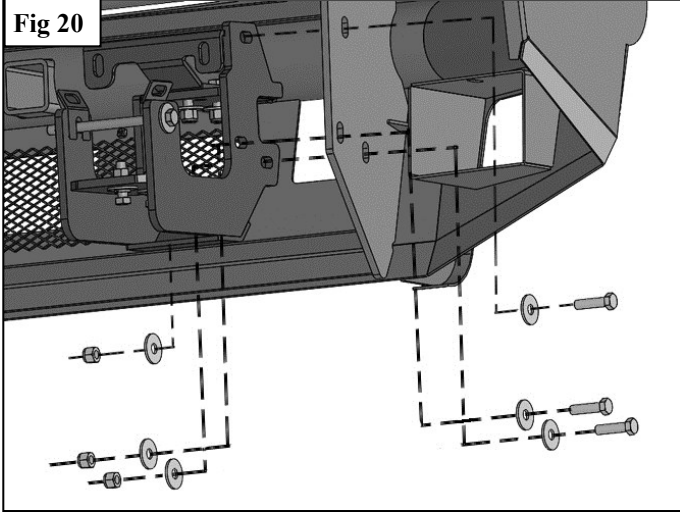
Fig 16



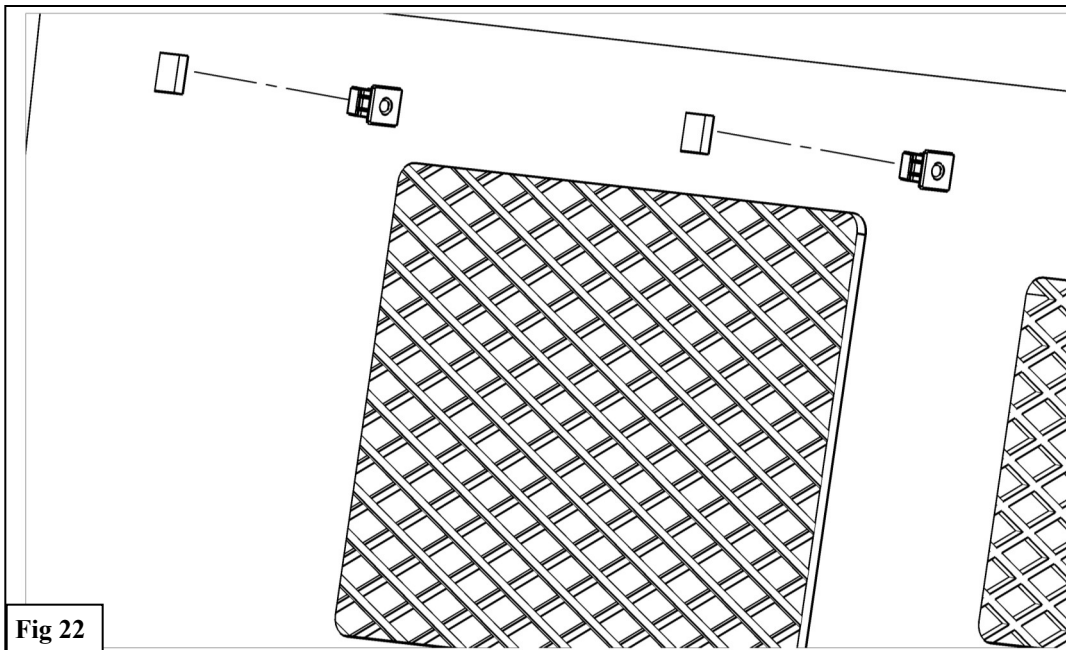
14. On models with grille mounted factory camera, remove the center screen, (**Figure 19**).
15. With assistance, position the Bumper Assembly onto the outsides of the Frame Brackets. Temporarily support the weight of the Bumper. **WARNING:** To avoid possible injury or damage to the vehicle, do not proceed until the bumper is fully and safely supported.



16. Attach the Bumper to the Brackets with the included (6) 12mm x 45mm Hex Bolts, (12) 12mm Flat Washers and (6) 12mm Nylon Lock Nuts, (**Figures 20 & 21**). Snug but do not tighten hardware.
17. Level and adjust the bumper and fully tighten all hardware to 65-70ft-lbs. **NOTE:** If additional in-out adjustment is required, loosen Frame Bracket Hardware, slide the Bracket in or out as necessary and fully tighten all hardware.
18. Reattach the wiring harness. Adjust lights as necessary and tighten all fog light bracket hardware.



19. Use the included (2) push-in plastic nuts to attach the front license plate, (if required), to the (2) holes in the front bumper, (**Figure 22**).
20. Do periodic inspections to the installation to make sure that all hardware is secure and tight.



INSTALLATION COMPLETE

Shackles and Lights sold separately



©2018 WESTIN AUTOMOTIVE PRODUCTS, INC. ALL RIGHTS RESERVED.

WESTIN[®]

CARE INSTRUCTIONS

- REGULAR WAXING IS RECOMMENDED. DO NOT USE ANY TYPE OF POLISH OR WAX THAT MAY CONTAIN ABRASIVES
- STAINLESS STEEL PRODUCTS CAN BE CLEANED WITH MILD SOAP AND WATER. STAINLESS STEEL POLISH SHOULD BE USED TO POLISH SMALL SCRATCHES.
- GLOSS BLACK FINISHES SHOULD BE CLEANED WITH MILD SOAP AND WATER

WESTIN



WARNING



Failure to follow these instructions could lead to death, personal injury, and / or property damage.

Failure to follow these instructions could lead to death, personal injury, and / or property damage.

FASTENERS:

All Westin supplied fasteners must be utilized and installed in accordance with the installation instructions and apply torque to the specifications as defined. **DOUBLE CHECK ALL FASTENERS BEFORE INITIAL USE, AND PERIODICALLY IN THE FUTURE TO ENSURE PROPER FUNCTION AND SAFETY.**

DRILLING:

Most Westin products do not require drilling for installation. If drilling is defined as required, use caution when drilling a vehicle. **FAILURE TO REVIEW AN AREA TO BE DRILLED MAY RESULT IN PERSONAL INJURY AND/OR INJURY TO OTHERS AS WELL AS VEHICLE DAMAGE.**

EYE PROTECTION:

ALWAYS WEAR SAFETY GLASSES OR GOGGLES DURING THE INSTALLATION PROCESS TO AVOID PERSONAL INJURY.

MAXIMUM TOWING/CARRYING CAPACITY: (if applicable)

The Westin Receiver Hitches will have a visible tow rating label affixed directly on the product. User should never exceed the vehicle manufacturers maximum tow and weight rating regardless of the capacity of the hitch. **FAILURE TO FOLLOW THESE GUIDELINES WILL VOID THE WESTIN WARRANTY AND MAY RESULT IN PERSONAL INJURY AND/OR INJURY TO OTHERS AS WELL AS VEHICLE DAMAGE.**

