

# INSTALLATION INSTRUCTIONS

## HDX BANDIT BUMPER SENSOR KIT

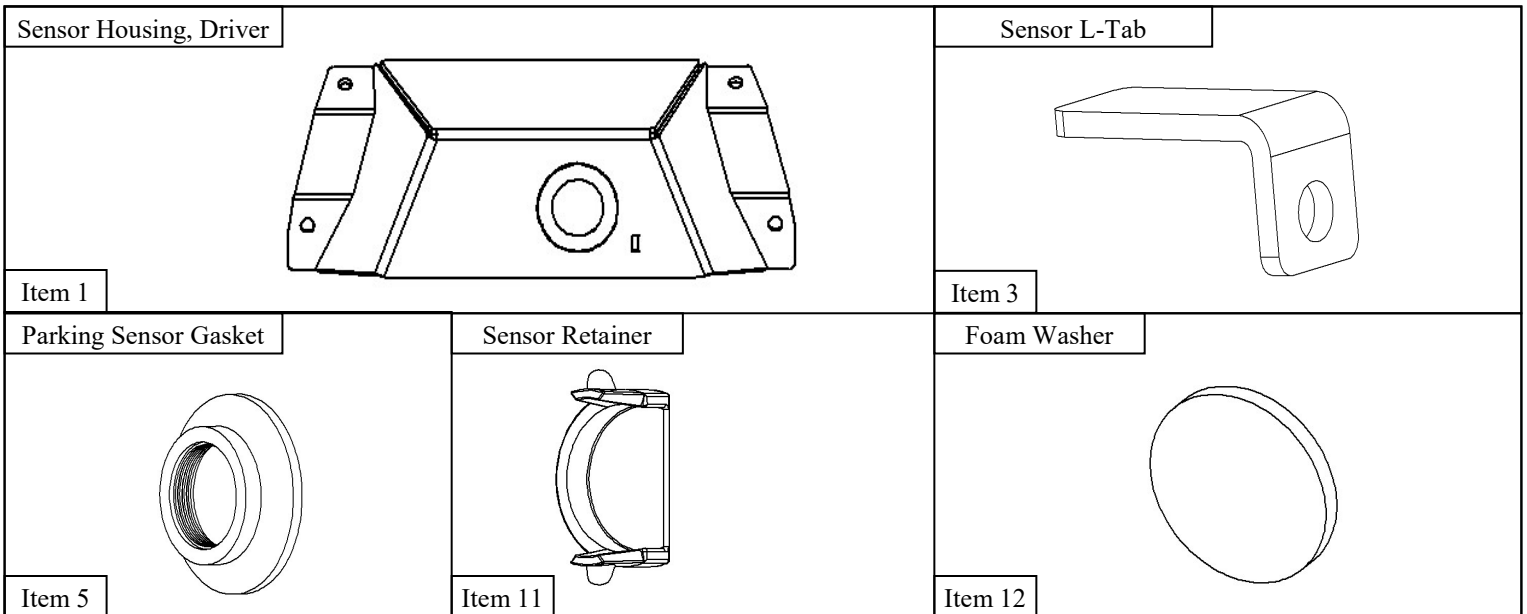


**APPLICATION:**  
2019 Chevrolet Silverado 1500 (Excl. 2019 Silverado LD)

**PART NUMBER:**  
58-30005

CONTENT			
ITEM	QUANTITY	DESCRIPTION	TOOLS NEEDED
1	1	SENSOR HOUSING DRIVER SIDE	10 MM SOCKET
2	1	SENSOR HOUSING PASSENGER SIDE	10 MM WRENCH
3	2	SENSOR L-TAB	RATCHET
4	4	SENSOR HARNESS EXTENSION	ZIP-TIES
5	4	PARKING SENSOR GASKET	SCREW DRIVER
6	2	M6 ROUND HEAD CAP SCREW	
7	2	M6 FLAT WASHER	
8	2	M6 SPLIT LOCK WASHER	
9	2	M6 HEX NUT	
10	8	M4 PAN HEAD PHILLIPS SELF-TAPPING SCREW	
11	4	SENSOR RETAINER	
12	4	FOAM WASHER	

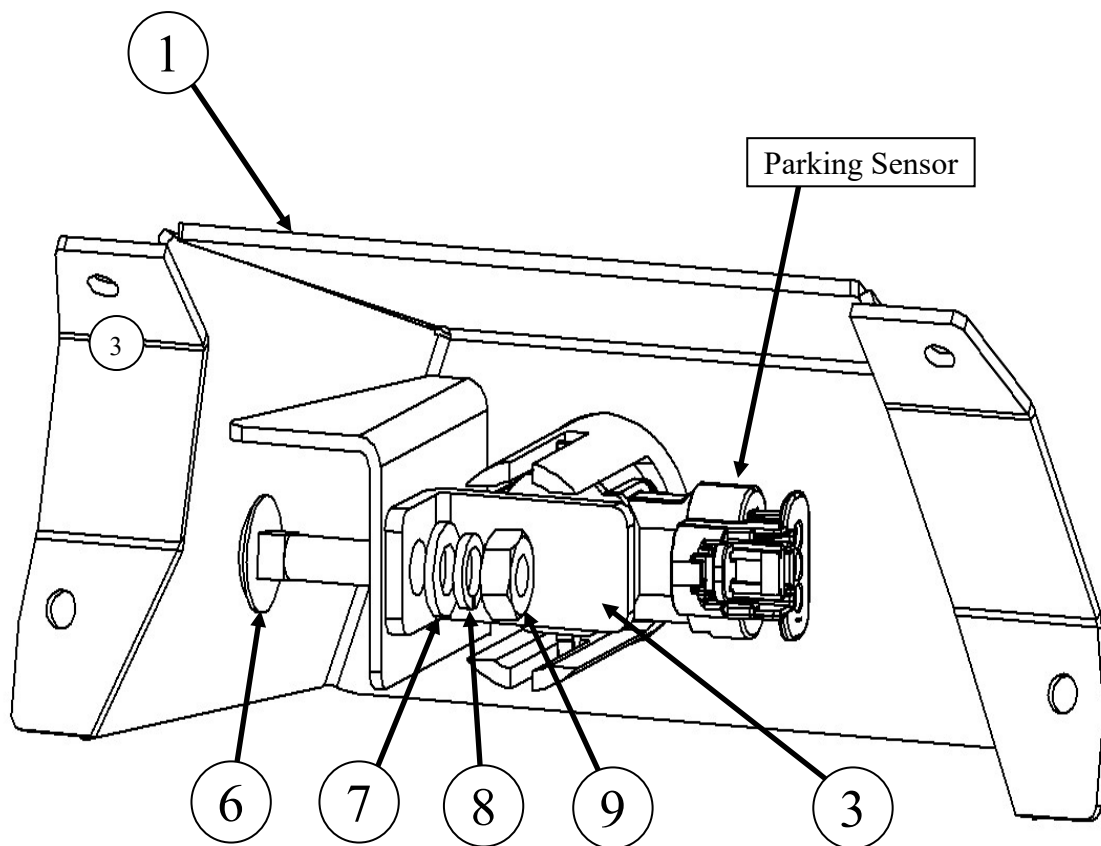
**ANTI-SEIZE LUBRICANT MUST BE USED ON ALL STAINLESS STEEL FASTENERS TO PREVENT THREAD DAMAGE AND GALLING**



## PROCEDURE

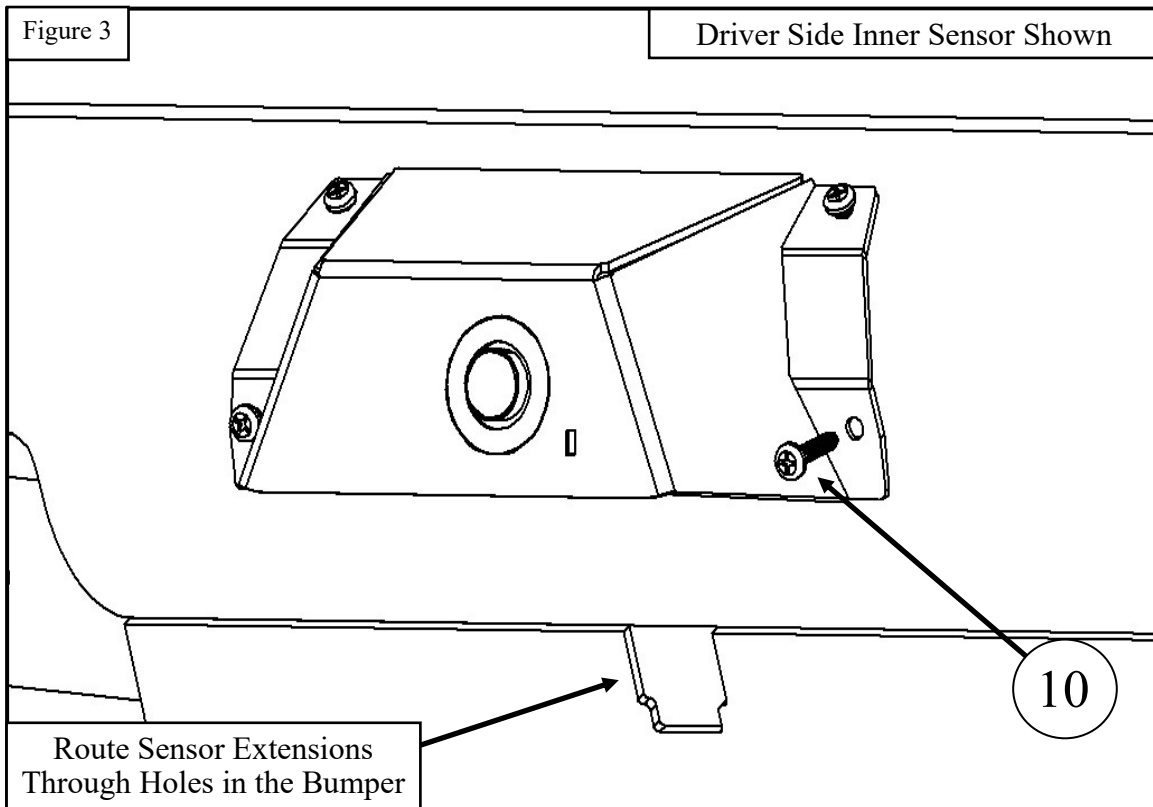
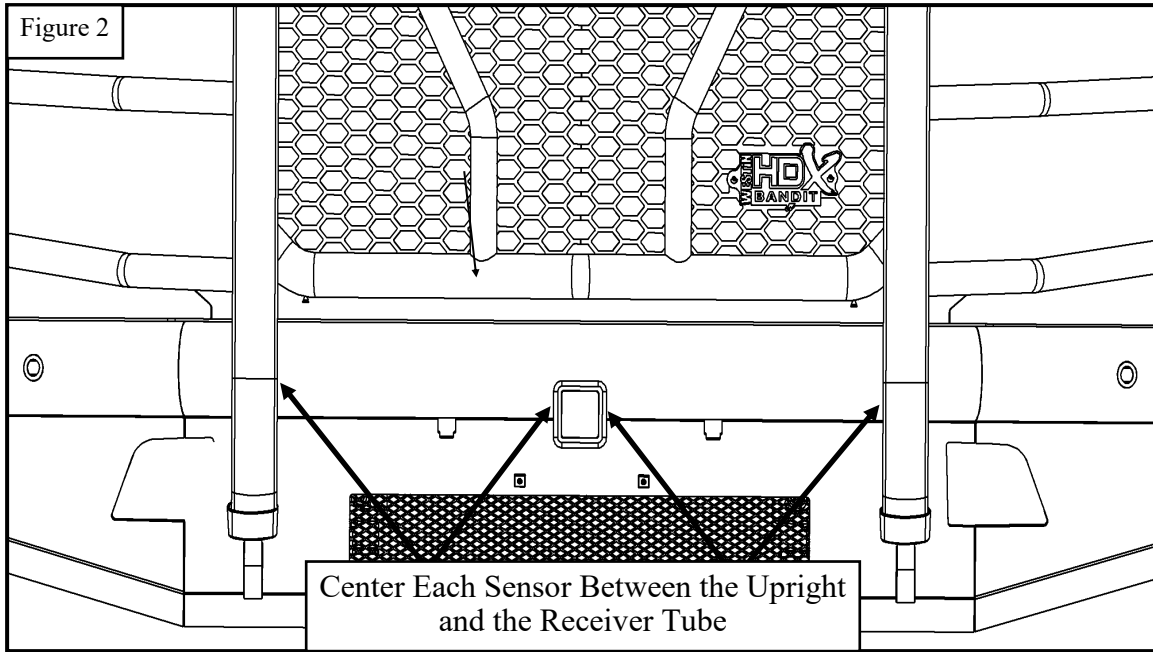
1. Remove contents from box, verify if all parts listed are present and free from damage. Carefully read and understand all instructions before attempting installation.  
**Failure to identify damage before installation could lead to a rejection of any claim.**
2. Disconnect OEM parking sensors from OEM sensor harness. Pay attention to the orientation of the sensors. They must be installed in the same orientation. **Note:** Handle sensors with care.
3. Place one Foam Washer (item 12) on the back of each parking sensor. **Note:** The foam washer will act as a cushion between the Sensor L-Tabs (item 3)/Sensor brackets (item 12 from Bandit Bumper Parts List) and the parking sensor.
4. For the two inner parking sensors, use the Sensor L-Tabs (3), and the supplied M6 Hardware (6-9) to mount the sensors to the Sensor Housings (items 1 and 2) as shown in **Figure 1**. **Note:** The Sensor Gaskets (5) may be mounted onto the sensors if the sensors no longer have OEM gaskets.

Figure 1

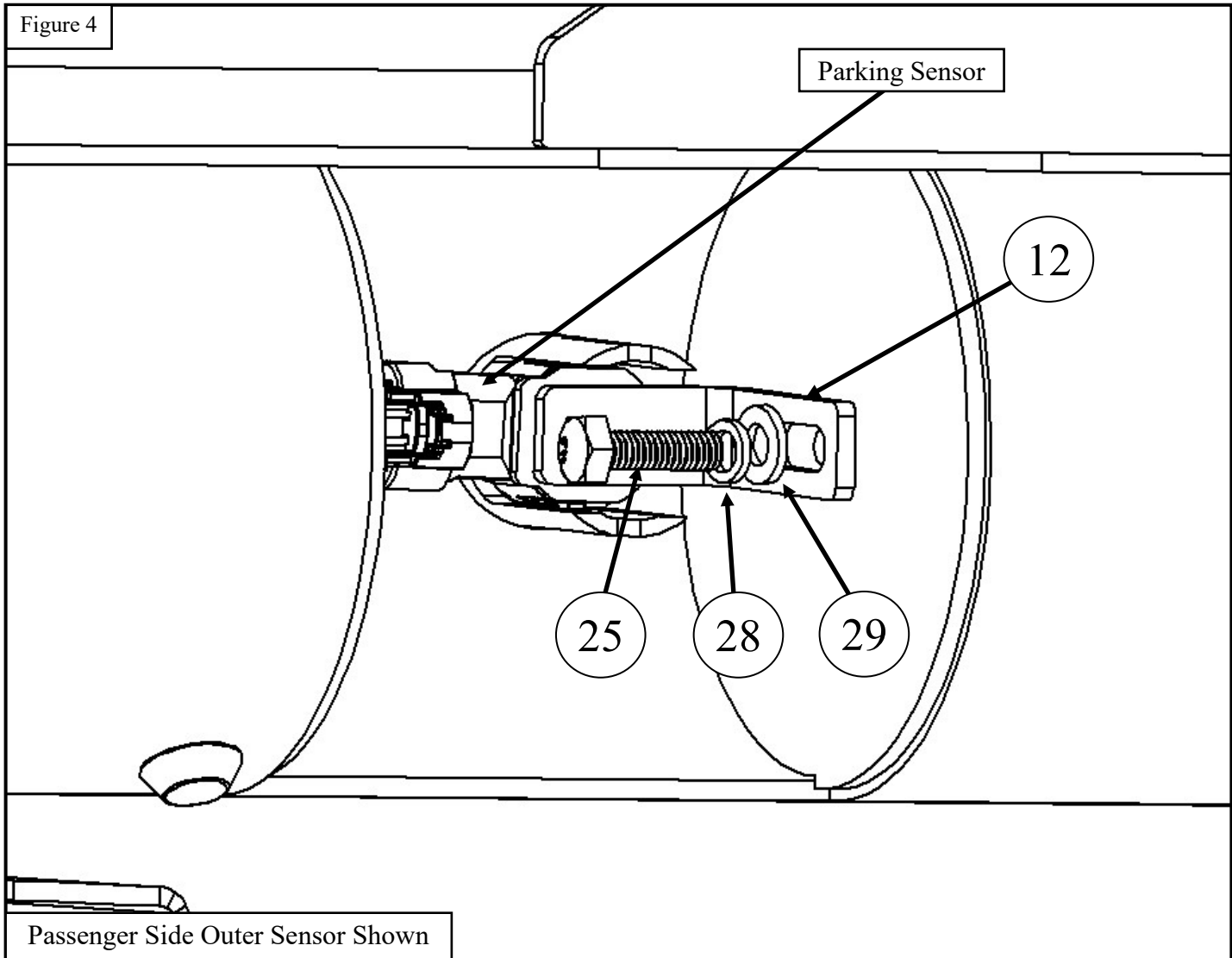


Driver Side Inner Sensor Shown

5. Attach one Sensor Harness Extension (item 4) to each center sensor.
6. Using the provided Self Tapping Screws (10) carefully mount the Sensor Housings (1) onto the Bandit Front Bumper. Place the Sensor Housing on the bumper with the sensors centered between the uprights and the receiver tube. Make sure that the sensors point directly ahead. See **Figures 2 and 3**. *Note: Mark where the screws will be going before mounting the Sensor Housing for better placement.*
7. Carefully route the two center Sensor Harness Extensions (4) through the bumper holes. See **Figure 3**.



8. For the two outer parking sensors, use the Sensor Brackets (item 12 from Bandit Bumper Parts List), and the supplied M6 Hardware (items 25, 28, and 29 from Bandit Bumper Parts List) to mount the sensors to inside of the bumper tube.  
See **Figure 4**.  
*Note: The Sensor Gaskets (5) may be mounted onto the sensors if the sensors no longer have OEM gaskets.*
9. Connect one Sensor Harness Extension (item 4) to each outer sensor.
10. Torque all M6 fasteners to 7 ft-lbs..
11. After the bumper has been installed onto the vehicle, connect the Sensor Harness Extensions to the OEM sensor harness.
12. Reconnect the OEM sensor harness to the vehicle and fog lights (if applicable).
13. Use zip-ties to fasten the harness extensions and OEM sensor harness.



INSTALLATION COMPLETE



Shackles sold separately

**CARE INSTRUCTIONS**

- REGULAR WAXING IS RECOMMENDED. DO NOT USE ANY TYPE OF POLISH OR WAX THAT MAY CONTAIN ABRASIVES.
- STAINLESS STEEL PRODUCTS CAN BE CLEANED WITH MILD SOAP AND WATER. STAINLESS STEEL POLISH SHOULD BE USED TO POLISH SMALL SCRATCHES.
- GLOSS BLACK FINISHES SHOULD BE CLEANED WITH MILD SOAP AND WATER.



## WARNING



Failure to follow these instructions could lead to death, personal injury, and / or property damage.

Failure to follow these instructions could lead to death, personal injury, and / or property damage.

### **FASTENERS:**

All Westin supplied fasteners must be utilized and installed in accordance with the installation instructions and apply torque to the specifications as defined. **DOUBLE CHECK ALL FASTENERS BEFORE INITIAL USE, AND PERIODICALLY IN THE FUTURE TO ENSURE PROPER FUNCTION AND SAFETY.**

### **DRILLING:**

Most Westin products do not require drilling for installation. If drilling is defined as required, use caution when drilling a vehicle. **FAILURE TO REVIEW AN AREA TO BE DRILLED MAY RESULT IN PERSONAL INJURY AND/OR INJURY TO OTHERS AS WELL AS VEHICLE DAMAGE.**

### **EYE PROTECTION:**

**ALWAYS WEAR SAFETY GLASSES OR GOGGLES DURING THE INSTALLATION PROCESS TO AVOID PERSONAL INJURY.**

### **MAXIMUM TOWING/CARRYING CAPACITY:** (if applicable)

The Westin Receiver Hitches will have a visible tow rating label affixed directly on the product. User should never exceed the vehicle manufacturers maximum tow and weight rating regardless of the capacity of the hitch. **FAILURE TO FOLLOW THESE GUIDELINES WILL VOID THE WESTIN WARRANTY AND MAY RESULT IN PERSONAL INJURY AND/OR INJURY TO OTHERS AS WELL AS VEHICLE DAMAGE.**

### **FOR CALIFORNIA RESIDENTS ONLY-PROP 65 WARNING:**

Some products may contain chemicals such as DEHP, which can cause cancer, birth defects or other reproductive harm.