



AUTOMOTIVE PRODUCTS, INC.

INSTRUCTIONS

APPLICATION: 2015 CHEVY SILVERADO 2500/3500 WINCH TRAY
2015 CHEVY SILVERADO 2500/3500 WINCH TRAY MOUNTED SPORTSMAN & HDX GG
APPLICATION PART #'S 46-23785, 45-93780, 40-93785, 57-93780, 57-93785

ITEM	QUANTITY	DESCRIPTION	TOOLS NEEDED
1	1	WINCH TRAY	RATCHET
2,3	2	WINCH TRAY INNER MOUNTING BRACKETS (DRV & PASS)	SCREWDRIVER
4	2	WINCH TRAY OUTER MOUNTING BRACKETS	15MM WRENCH
5	2	WINCH TRAY MIDDLE MOUNTING BRACKETS	15MM SOCKET
6	24	M10 HEX HEAD BOLT	ALLEN WRENCH
7	48	M10 FLAT WASHER	18MM WRENCH
8	24	M10 LOCK WASHER	18MM SOCKET
9	24	M10 HEX NUT	10MM SOCKET
10	12	M12 HEX HEAD BOLT	16MM SOCKET
11	24	M12 FLAT WASHER	16MM WRENCH
12	14	M12 LOCK WASHER	RATCHET EXT.
13	14	M12 HEX NUT	TORQUE WRENCH
14	2	M12 LARGE FLAT WASHER	
15	2	M12 FLANGE BOLT	
16	2	M12 SQUARE POLY BOLT RETAINER	
17	1	HDX GRILLE GUARD (57-93780, 57-93785 ONLY)	
18	1	SPORTSMAN GRILLE GUARD (45-93780, 40-93785 ONLY)	
19,20	2	SUPPORT STRAPS DRV & PASS (57-93780/85, 45-93780, 40-93785 ONLY)	
21	2	SPACER BLOCKS (57-93780/85, 45-93780, 40-93785 ONLY)	
22	2	M10 STAINLESS SHORT BUTTON HEAD BOLT (57-93780/85, 45-93780, 40-93785 ONLY)	
23	8	M10 STAINLESS CUPPED WASHER (57-93780/85, 45-93780, 40-93785 ONLY)	
24	2	M10 STAINLESS FLANGE NUT (57-93780/85, 45-93780, 40-93785 ONLY)	
25	6	M10 STAINLESS LONG BUTTON HEAD BOLT (57-93780/85, 45-93780, 40-93785 ONLY)	

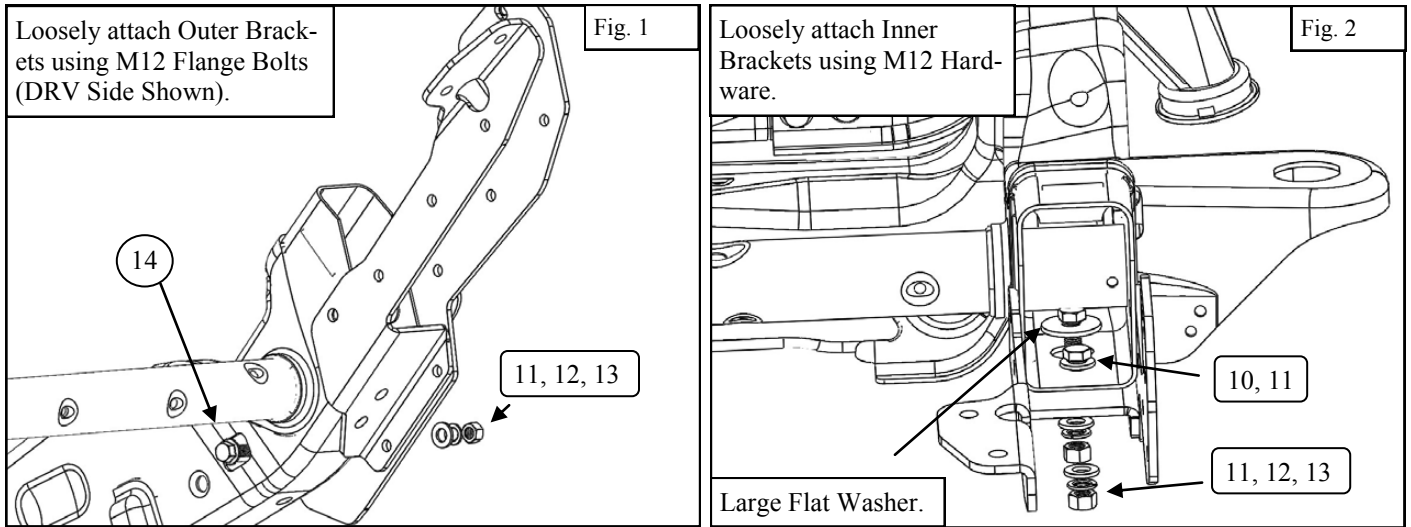
ANTI-SEIZE LUBRICANT MUST BE USED ON ALL STAINLESS STEEL FASTENERS TO PREVENT THREAD DAMAGE AND GALLING

1. Remove contents from box, verify if all parts listed are present and free from damage. Carefully read and understand all instructions before attempting installation.
2. Remove the factory tow hooks (if equipped). They cannot be re-used.
3. One side at a time slip the Winch Tray Inner Mounting Brackets and the Winch Tray Outer Mounting Brackets through the tow hook pockets. Note: Do not fasten either bracket until both have been properly positioned.

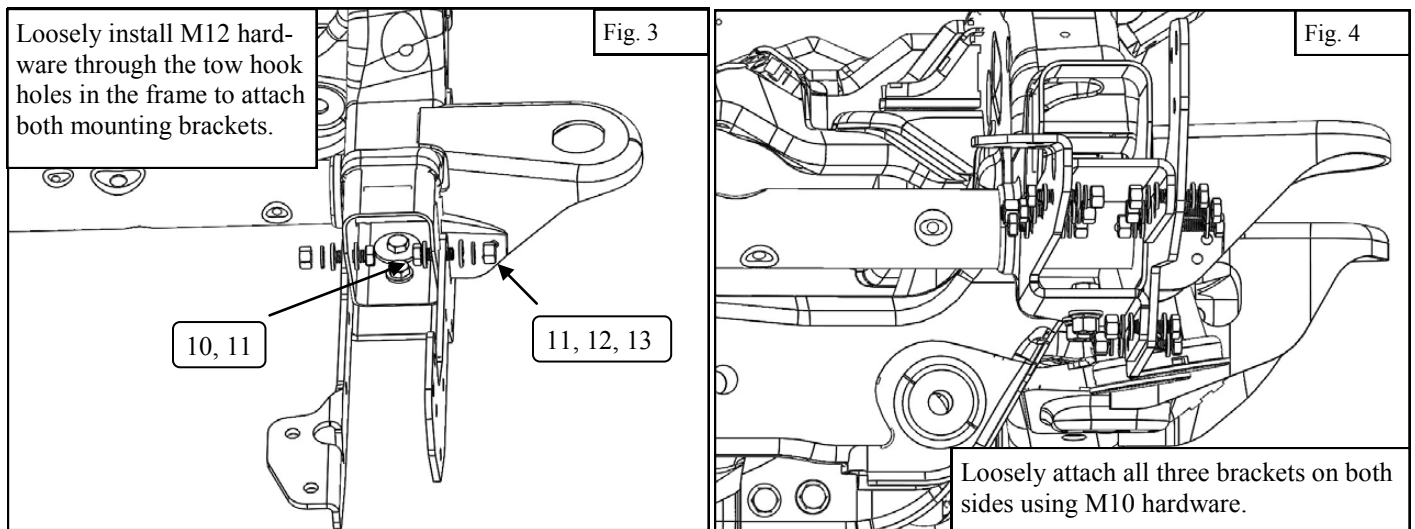


Thank You for choosing Westin products.

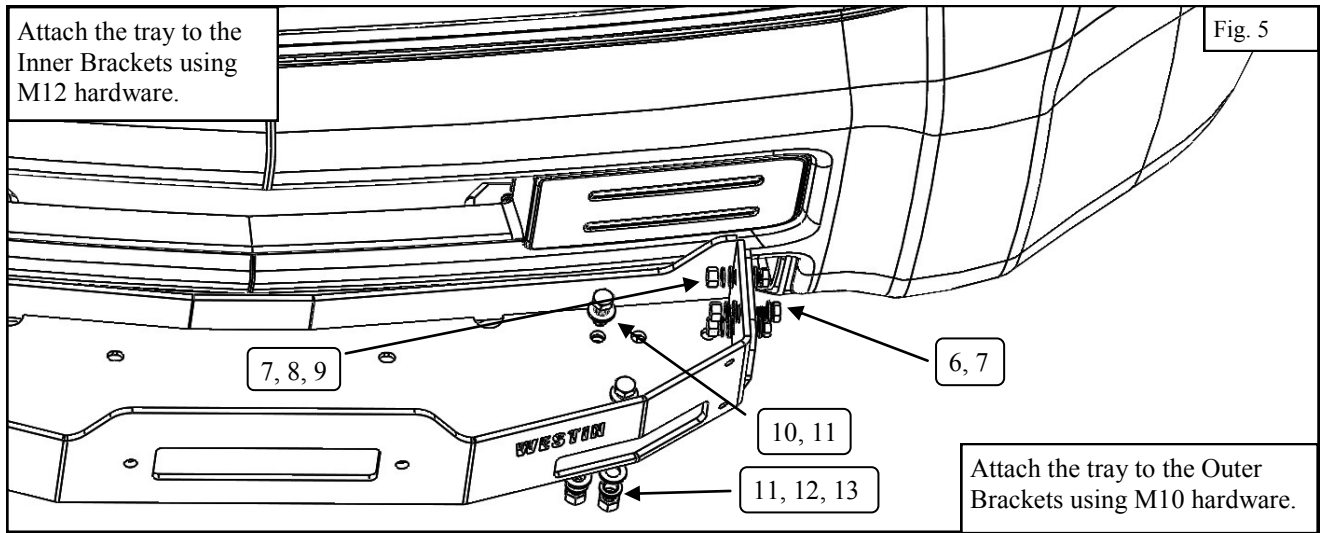
4. Loosely attach the Winch Tray Outer Mounting Brackets to the vehicle's frame using the supplied M12 Flange Bolts as shown in Figure 1. Note: The flange bolts may be held in place using the M12 Poly Retainers while positioning the bracket.
5. Loosely attach the Winch Tray Inner Mounting Brackets to the vehicle's frame using M12 Hardware as shown in Figure 2. Note: The Large M12 Washer covers the large hole in the frame.



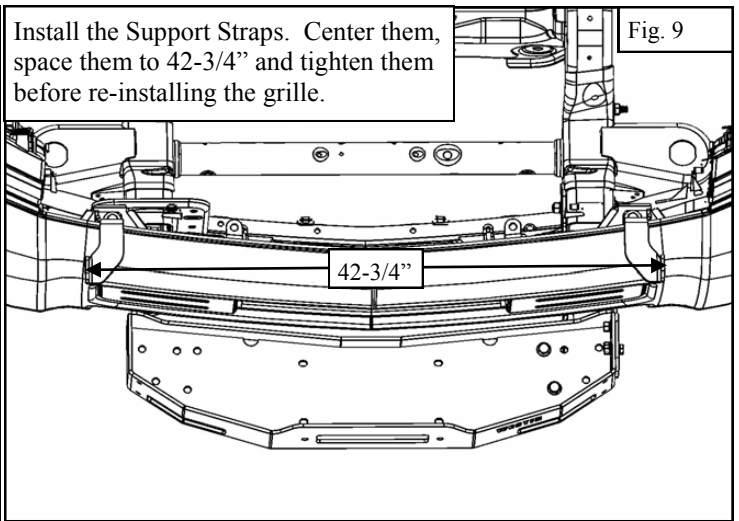
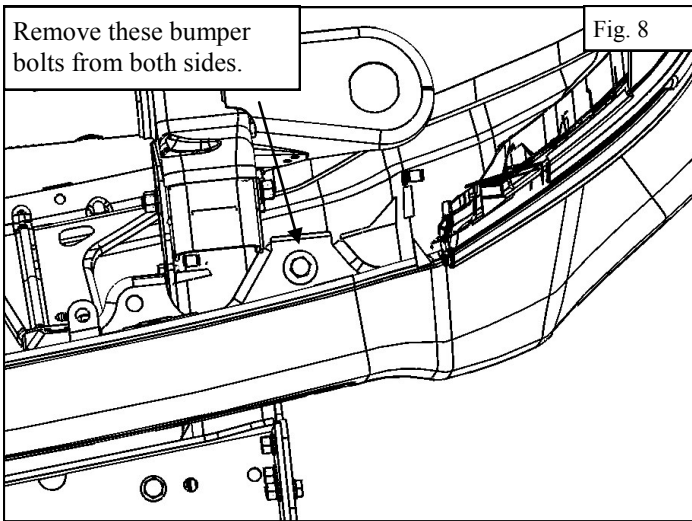
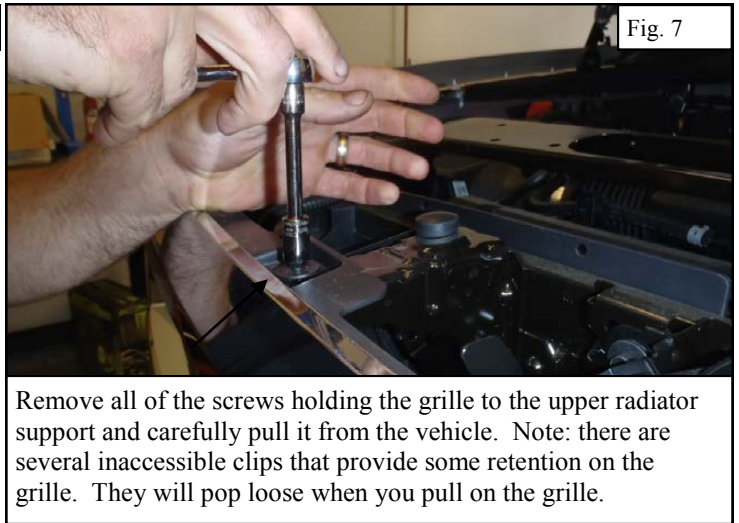
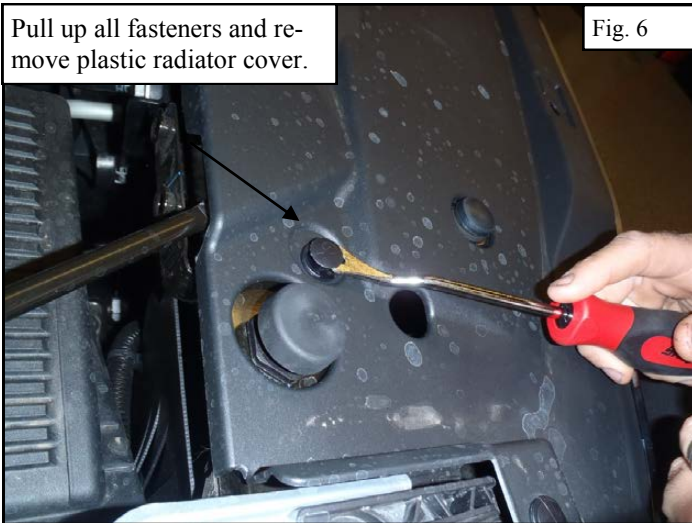
6. Using the supplied M12 Hardware loosely attach both mounting brackets to the frame holes that were used for the tow hooks as shown in Figure 3.
7. Position the Middle Winch Tray Mounting Brackets as shown in Figure 4 then loosely attach them using the supplied M10 hardware.
8. Loosely attach the Inner and Outer Mounting brackets together using M10 hardware as shown in Figure 4.



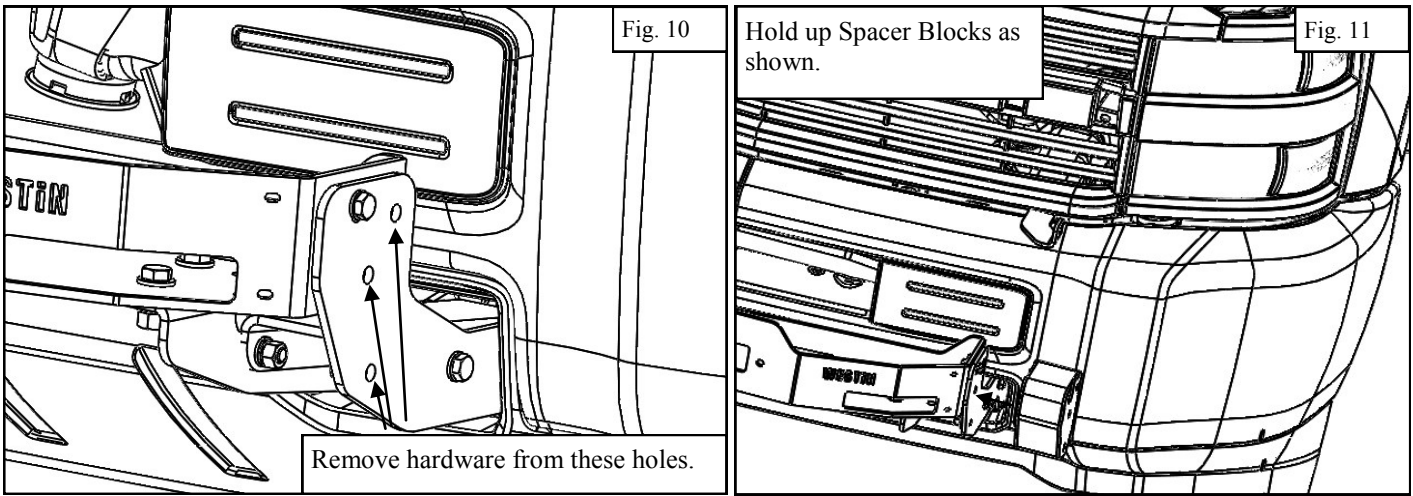
9. Loosely attach the winch tray to the brackets using M10 hardware on the sides and M12 hardware on the bottom of the tray as shown in Figure 5.
10. Install the winch per the winch manufacturer's instructions.
11. If installing a Winch Mount Grille Guard continue to step 12. Otherwise align and adjust the tray and brackets as necessary then tighten and torque all fasteners: M10 to 30-35 ft-lbs.; M12 to 50-55 ft-lbs.



12. If installing a Winch Tray Mount Grille Guard remove the vehicle's radiator cover and grille as shown in Figures 6 & 7.
13. Remove the factory M12 bumper bolts from each side as shown in Figure 8.
14. Install the Support Straps by re-using the factory bumper bolts. Center the Support Straps and space them 42-3/4" apart (outside edge to outside edge). Tighten and torque these fasteners to 50-55 ft-lbs. Refer to Figure 9.



15. Re-install the vehicle's grille and plastic radiator cover in the reverse order that they were removed. Note: The bottom of the grille may need to be squeezed past the Support Brackets.
16. Remove the bolts from the Winch Tray shown in Figure 10.
17. Use an assistant to line up the Spacer Blocks with the Winch Tray as shown in Figure 11.



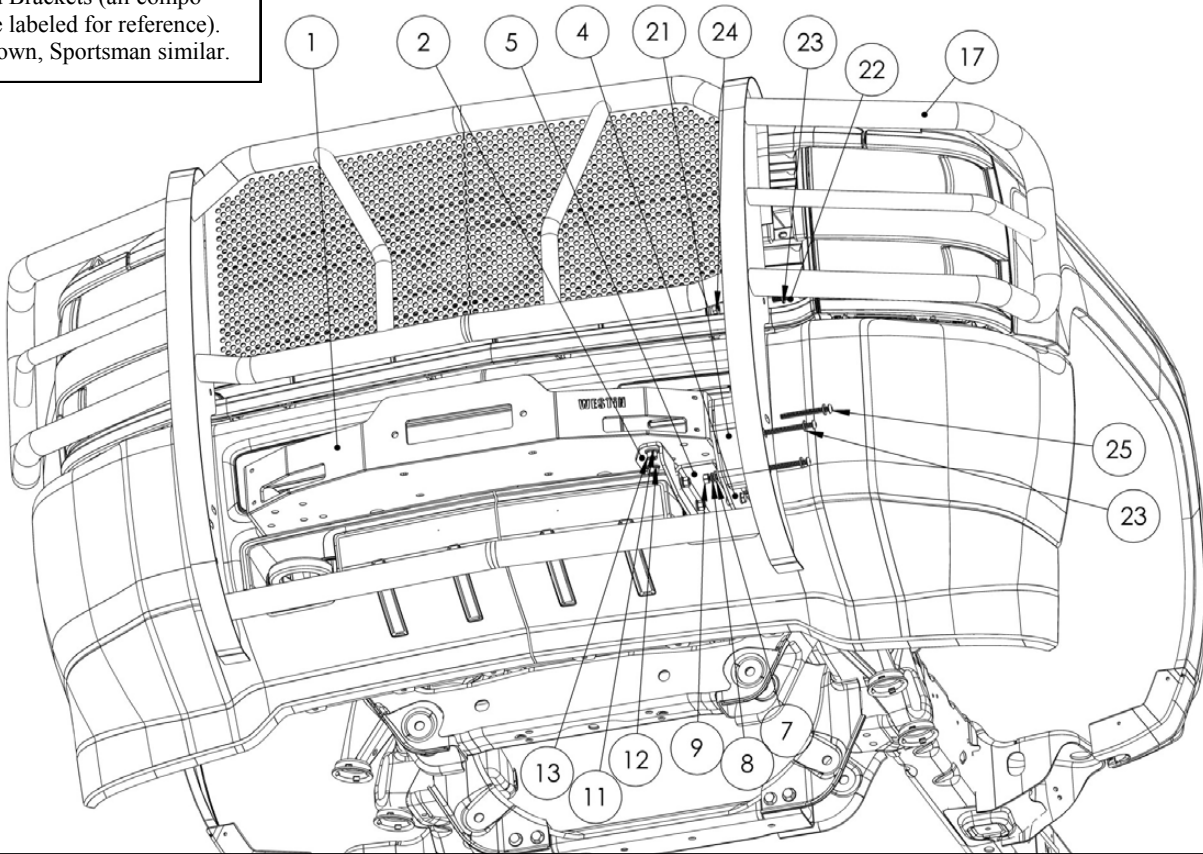
18. While the assistant holds the Spacer Blocks in place, position the Grille Guard over the Spacer Blocks and loosely attach it to the Support Straps using the short M10 Button Head Hardware as shown in Figure 12.
19. Attach the Grille Guard to the Winch Tray using the long M10 Button Head Hardware. These bolts need to go through the Grille Guard, Spacer Blocks, Outer Mount Brackets and Winch Tray. Note: Nuts and washers from the Winch Tray bolt kit need to be used to accomplish this. Refer to Figure 12.
20. Align and adjust the Grille Guard as necessary. Tighten and torque all hardware as follows: M10 to 30-35 ft-lbs.; M12 50-55 ft-lbs.

CARE INSTRUCTIONS

- REGULAR WAXING IS RECOMMENDED. DO NOT USE ANY TYPE OF POLISH OR WAX THAT MAY CONTAIN ABRASIVES.
- STAINLESS STEEL PRODUCTS CAN BE CLEANED WITH MILD SOAP AND WATER. STAINLESS STEEL POLISH SHOULD BE USED TO POLISH SMALL SCRATCHES.
- GLOSS BLACK FINISHES SHOULD BE CLEANED WITH MILD SOAP AND WATER.

Attach Grille Guard to Winch Tray and Brackets (all components are labeled for reference). HDX shown, Sportsman similar.

Fig. 12



Sportsman Winch GG Installation Complete



HDX Winch GG Installation Complete

