

# INSTALLATION INSTRUCTIONS



## HLR Truck Rack

APPLICATION:

2020 Chevrolet Silverado/ GMC Sierra 2500/3500

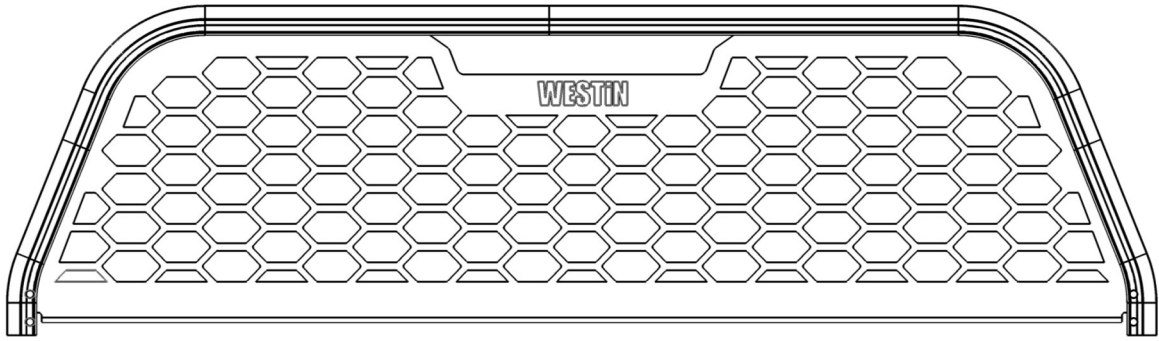
PART NUMBER:

57-81135

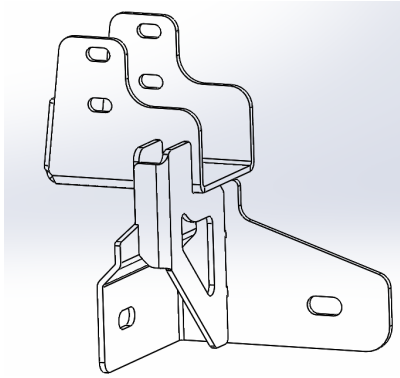
### CONTENT

ITEM	QUANTITY	DESCRIPTION	TOOLS NEEDED
1	1	Hoop/Screen Assembly	10 mm Wrench
2	1	Mounting Bracket (Driver's Side)	10 mm Socket
3	1	Mounting Bracket (Passenger's Side)	1/4" Drive Ratchet
4	2	M12 Bolt Plate Long	3/8" Drive Ratchet
5	2	M12 Bolt Plate Short	13mm Socket
6	4	M8 Hex Head Bolt Long	13mm Wrench
7	4	M8 Hex Nut Nylock	19mm Wrench
8	8	M8 Flat Washer Large	
9	4	M12 Hex Nut	
10	4	M12 Lock Washer	
11	4	M12 Flat Washer	
12	2	M12 Fish Wire	
13	4	M12 Plastic Retainers	

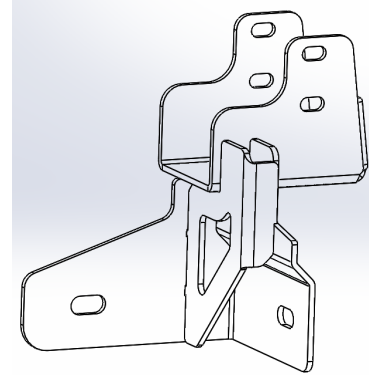




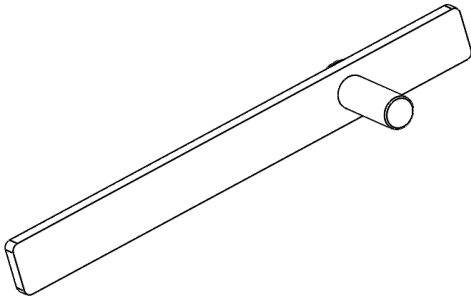
ITEM 1



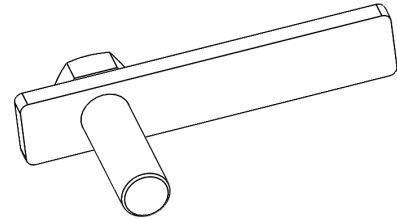
ITEM 2



ITEM 3



ITEM 4

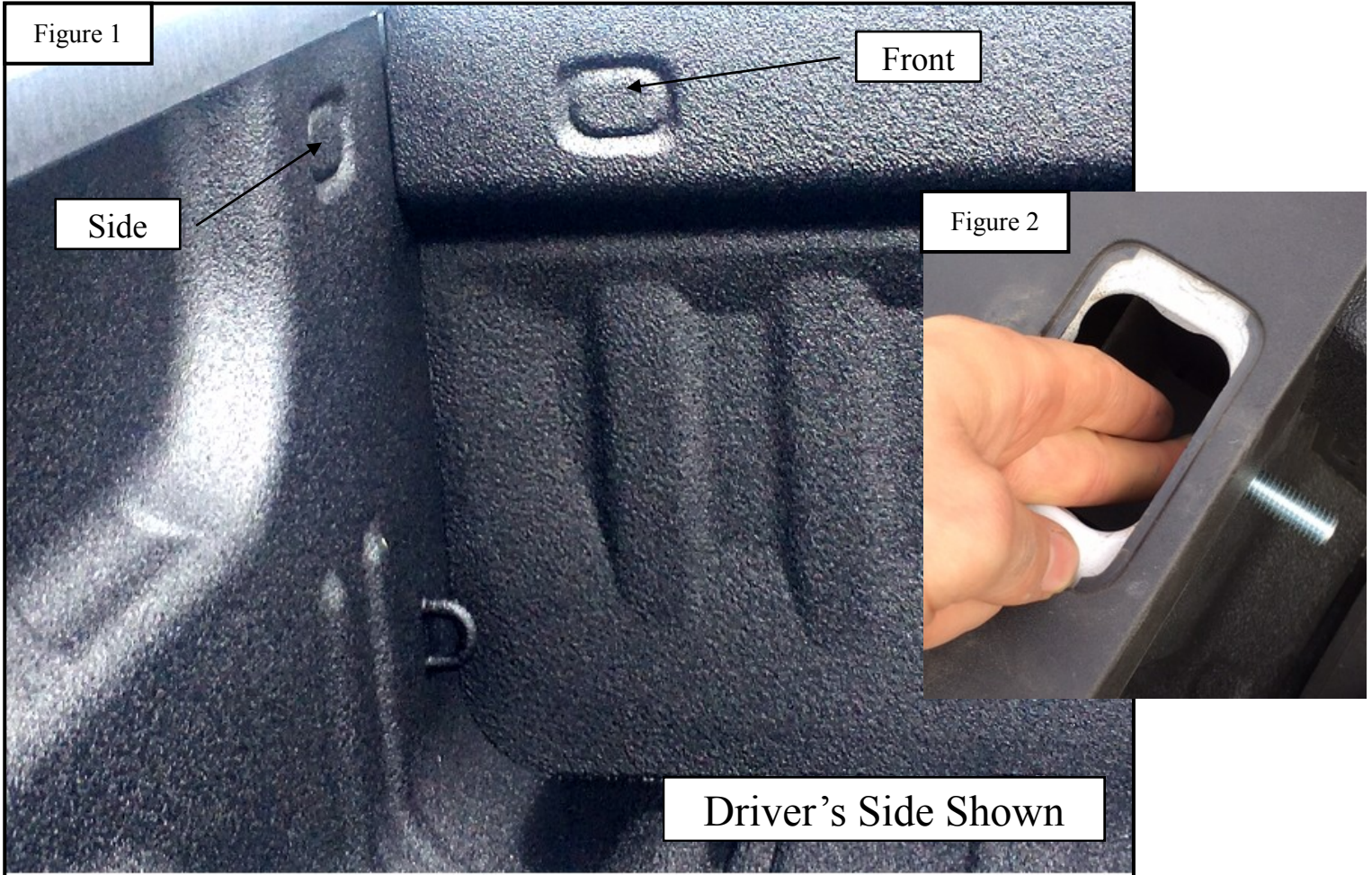


ITEM 5

## PROCEDURE

1. Remove contents from box, verify if all parts listed are present and free from damage. Carefully read and understand all instructions before attempting installation.  
**Failure to identify damage before installation could lead to a rejection of any claim.**

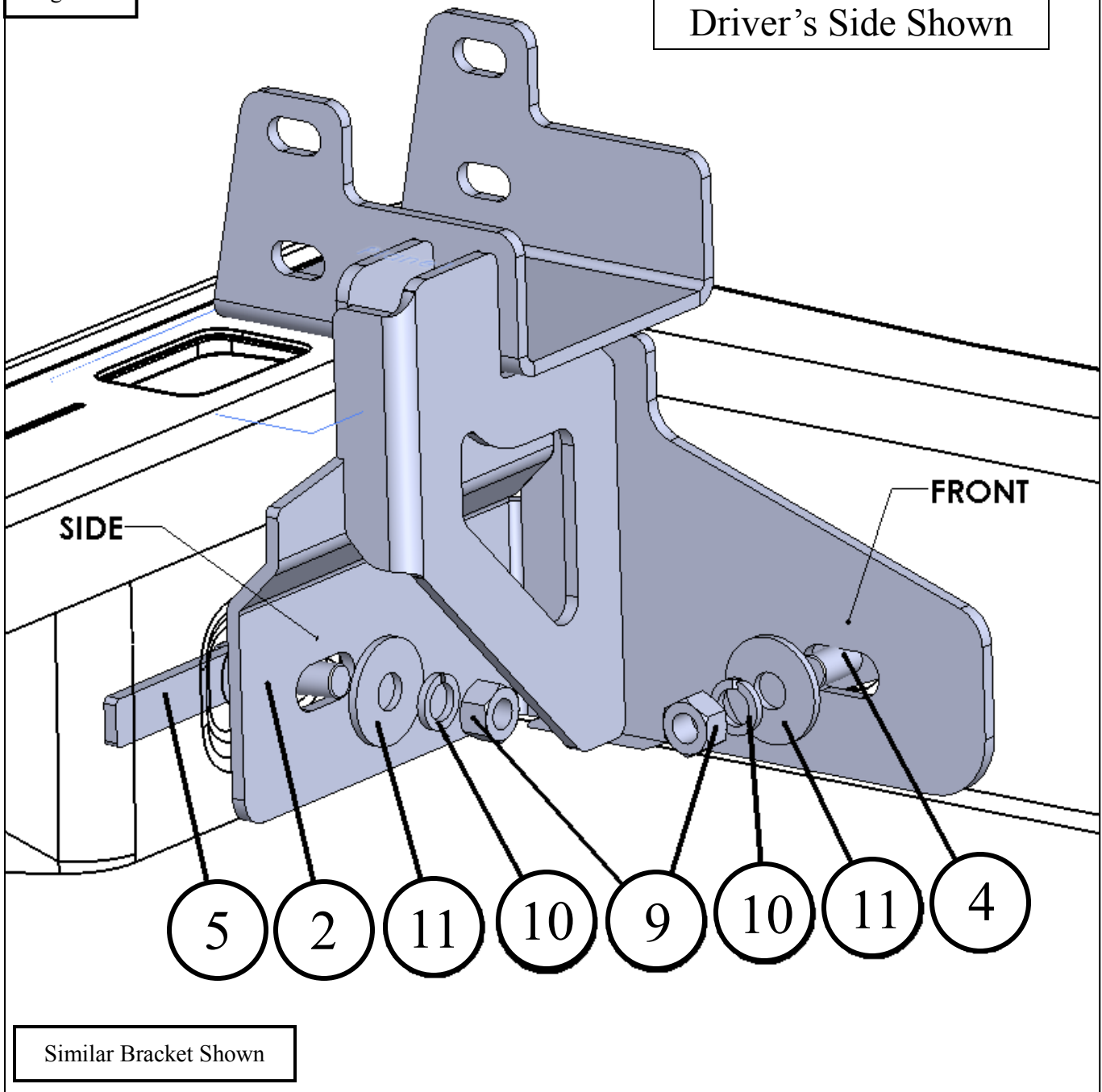
2. Towards the front of the bed, locate the holes on the bed that will be used to mount the HLR Rack and remove plastic plugs if present. See **Figure 1**.



3. Insert short M12 bolt plate into side hole of the bed through the stake pocket. Thread one of the supplied M12 plastic retainers on to bolt plate to keep it from falling into the hole. See **Figure 2**.
4. Thread supplied fish wire on the long M12 bolt plate. Then insert through the back (between cab and bed of the truck) of the front hole shown in **Figure 1**. Thread one of the supplied M12 plastic retainers on to bolt plate to keep it from falling into the hole.
5. Locate mounting bracket **Item 2** and insert hardware according to **Figure 3**.
6. Hand tighten hardware only for now. All hardware will be fully tightened at the end of installation.

Figure 3

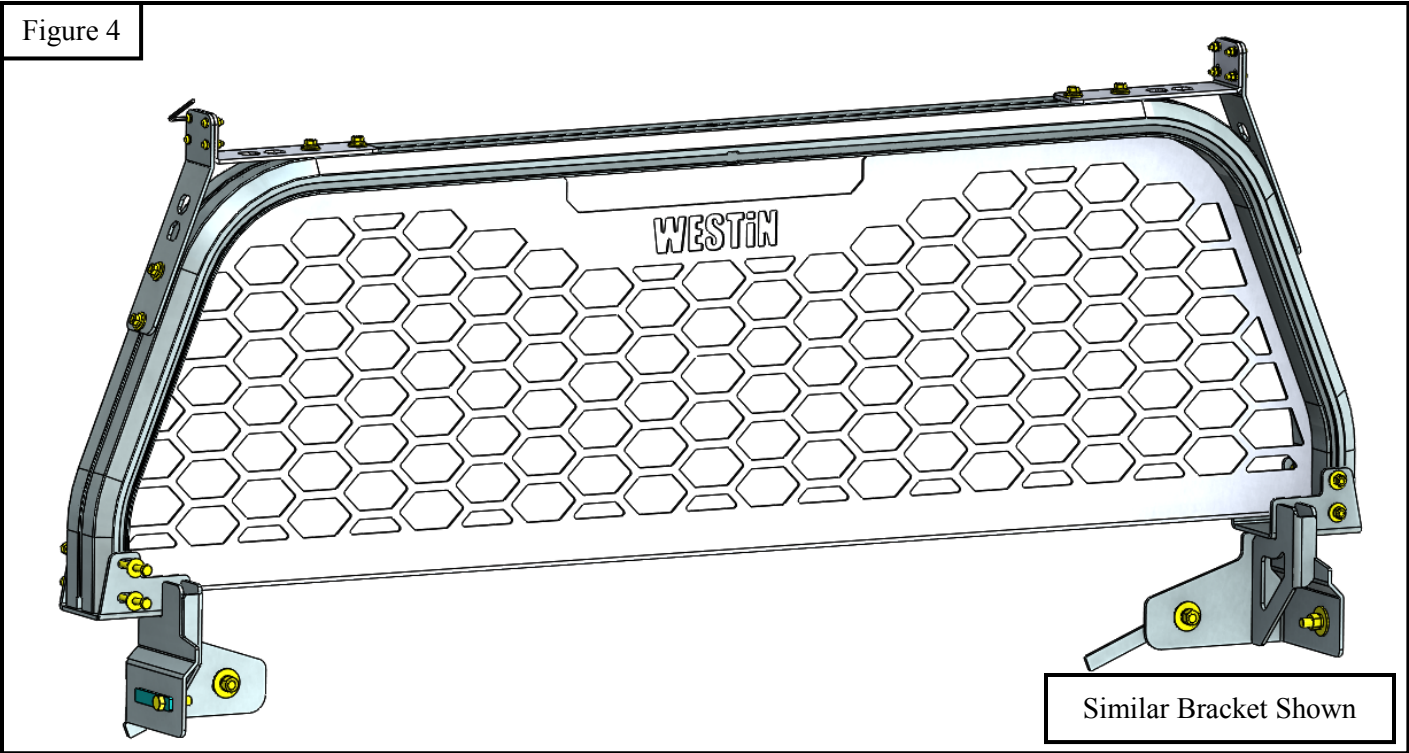
Driver's Side Shown



7. Repeat steps 2-6 on passenger's side.

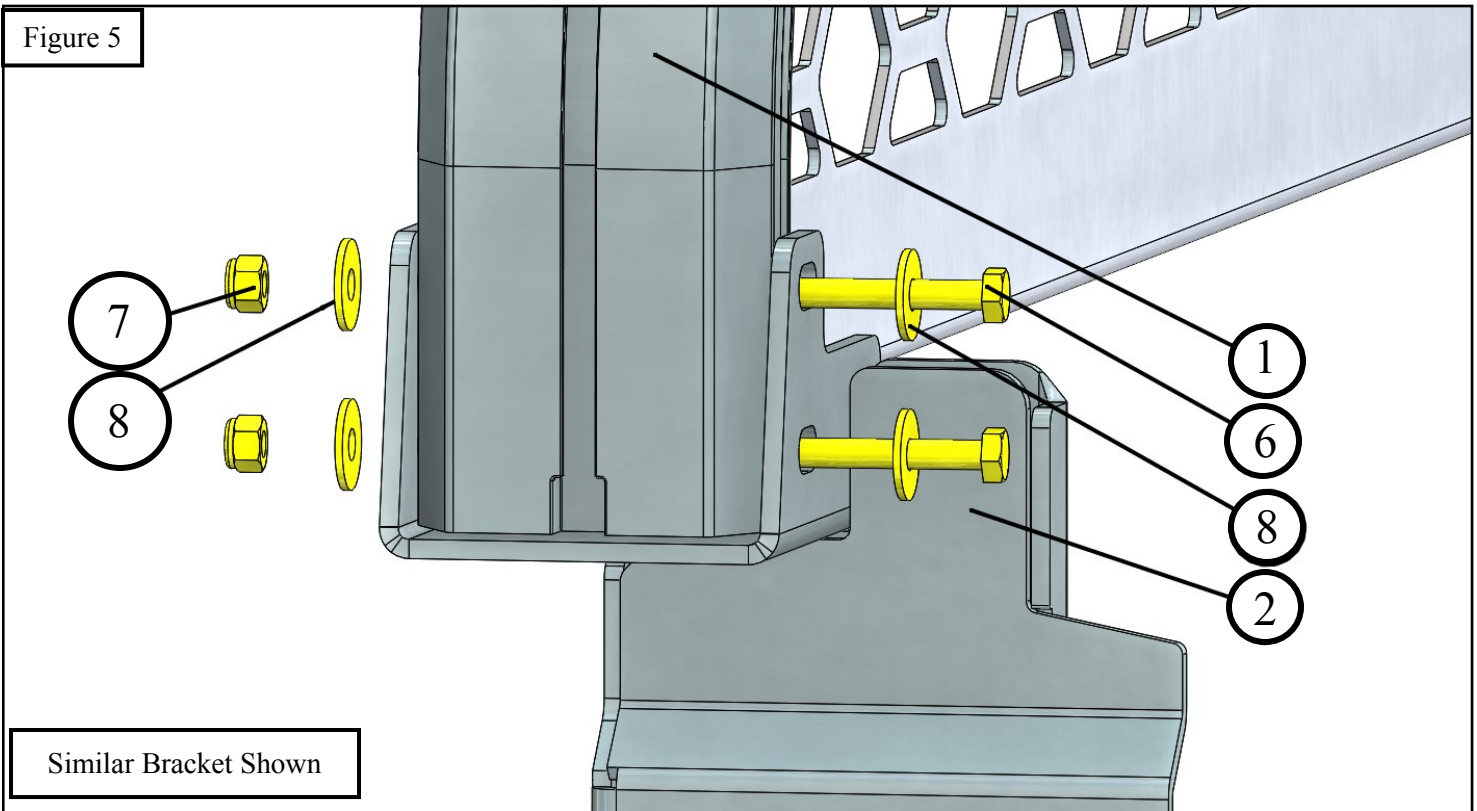
8. Position Hoop/Screen Assembly **Item 1** on bracket cradles according to **Figure 4**.

Figure 4



9. Using supplied M8 hardware, fasten **Item 1** on to brackets. See **Figure 5**.

Figure 5



10. Once all components are positioned as desired. Tighten all M8 hardware to 15-18 ft-lbs and all M12 to 50-55 ft-lbs.  
Note: When tightening M8 hardware that was used to install hoop and screen assembly on step 9, push the top of the HLR rack towards the cab of the truck to maintain straight while tightening.

## INSTALLATION COMPLETE

