

# INSTALLATION INSTRUCTIONS

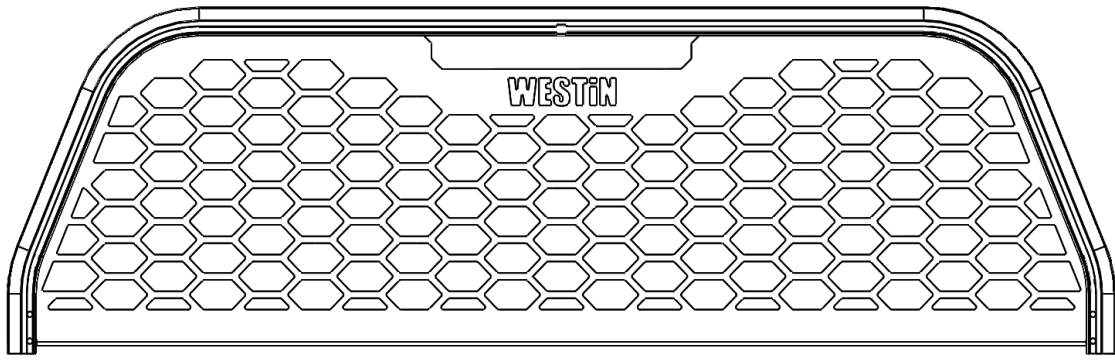
## HLR TRUCK RACK



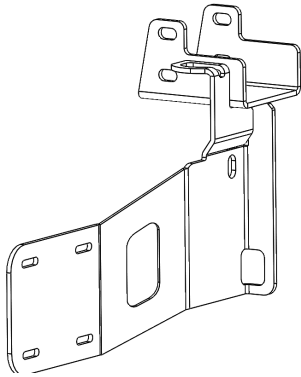
**APPLICATION:**  
2015-2018 Ford F-150  
**PART NUMBER:**  
57-81035

<b>CONTENT</b>			
<b>ITEM</b>	<b>QUANTITY</b>	<b>DESCRIPTION</b>	<b>TOOLS NEEDED</b>
1	1	Hoop/Screen Assembly	10 mm Wrench
2	1	Mounting Bracket (Driver's Side)	10 mm Socket
3	1	Mounting Bracket (Passenger's Side)	1/4" Drive Ratchet
4	2	M12 Bolt Plate	19mm Wrench
5	4	M8 Hex Head Bolt Long	
6	4	M8 Hex Nut Nylock	
7	8	M8 Flat Washer Large	
8	2	M12 Hex Nut	
9	2	M12 Lock Washer	
10	2	M12 Flat Washer	
11	2	M12 Fish Wire	
12	2	M12 Plastic Retainers	
13	8	M6 Flat Washer	
14	8	M6 Button Head Bolts	
15	8	M6 Split Lock Washer	

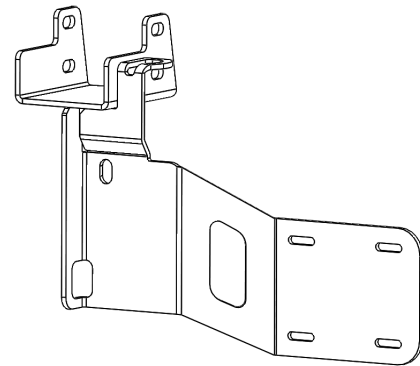




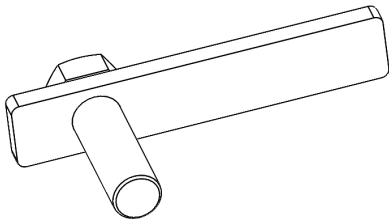
ITEM 1



ITEM 2



ITEM 3

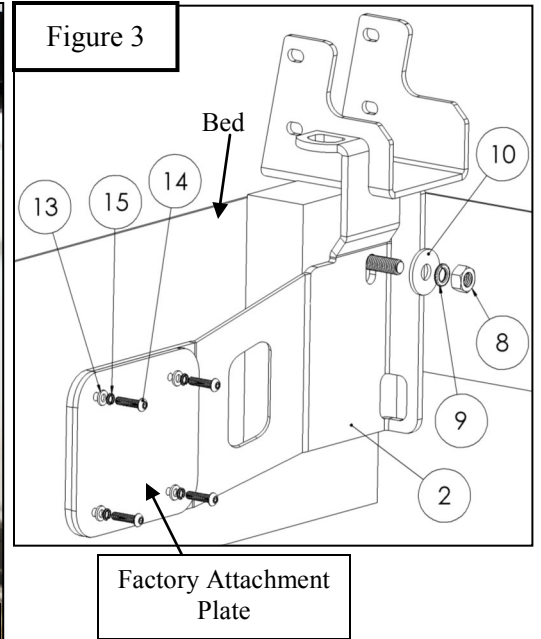
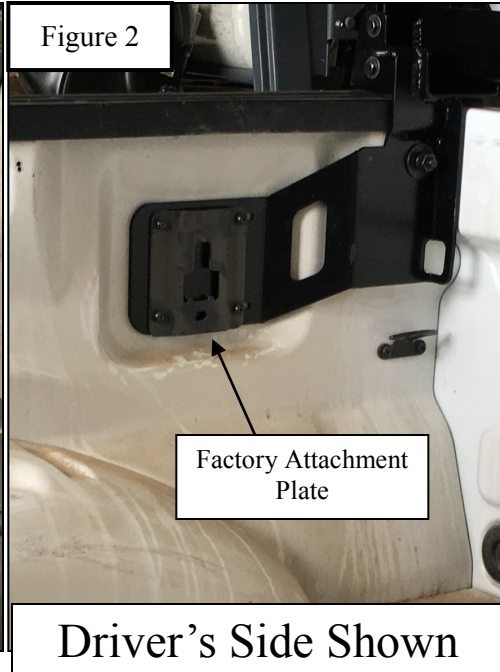
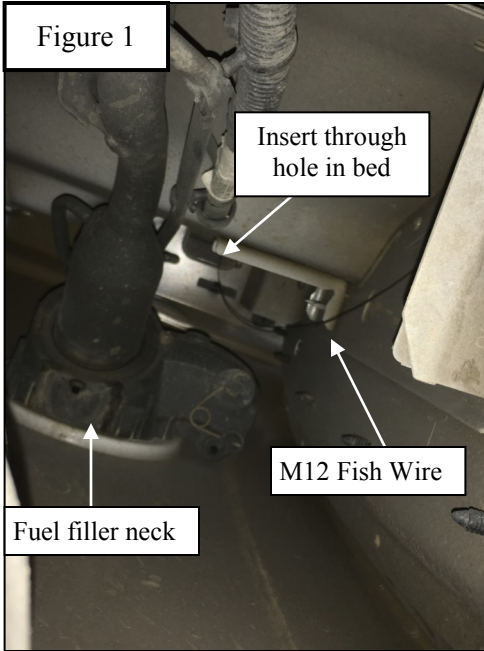


ITEM 4

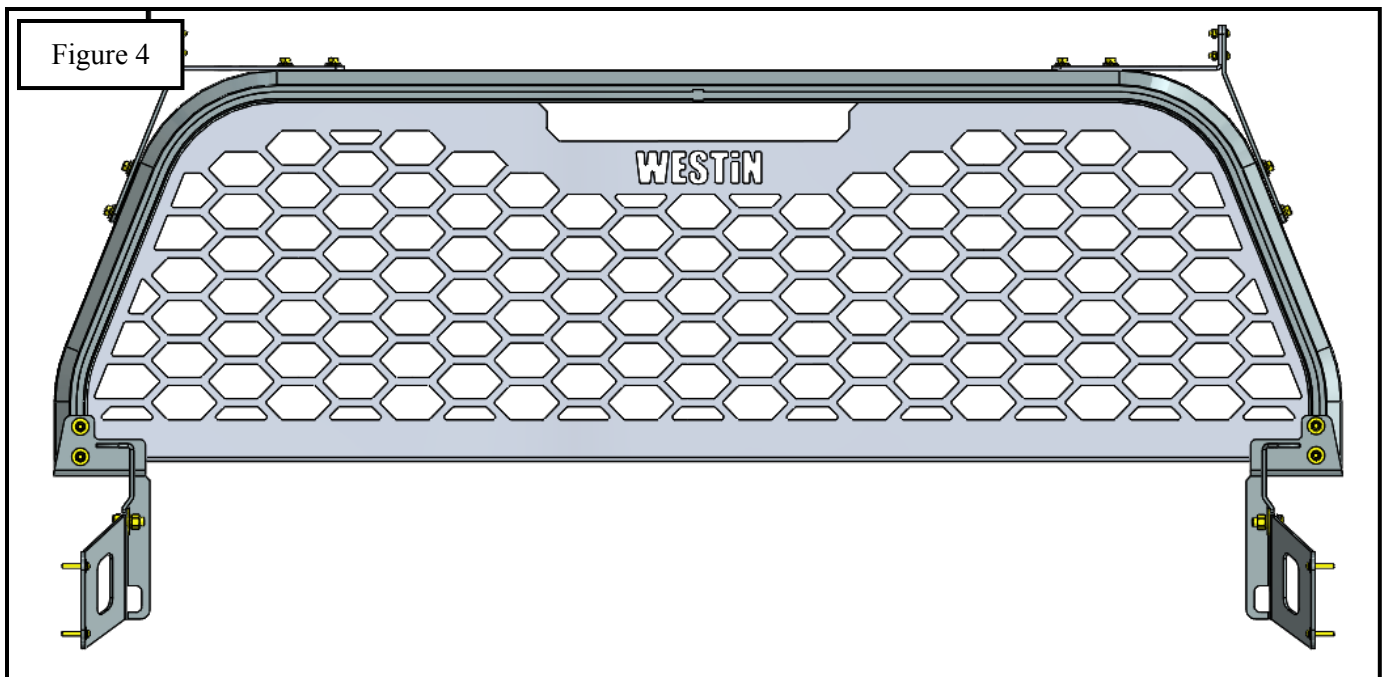
### PROCEDURE

1. Remove contents from box, verify if all parts listed are present and free from damage.  
Carefully read and understand all instructions before attempting installation.  
**Failure to identify damage before installation could lead to a rejection of any claim.**

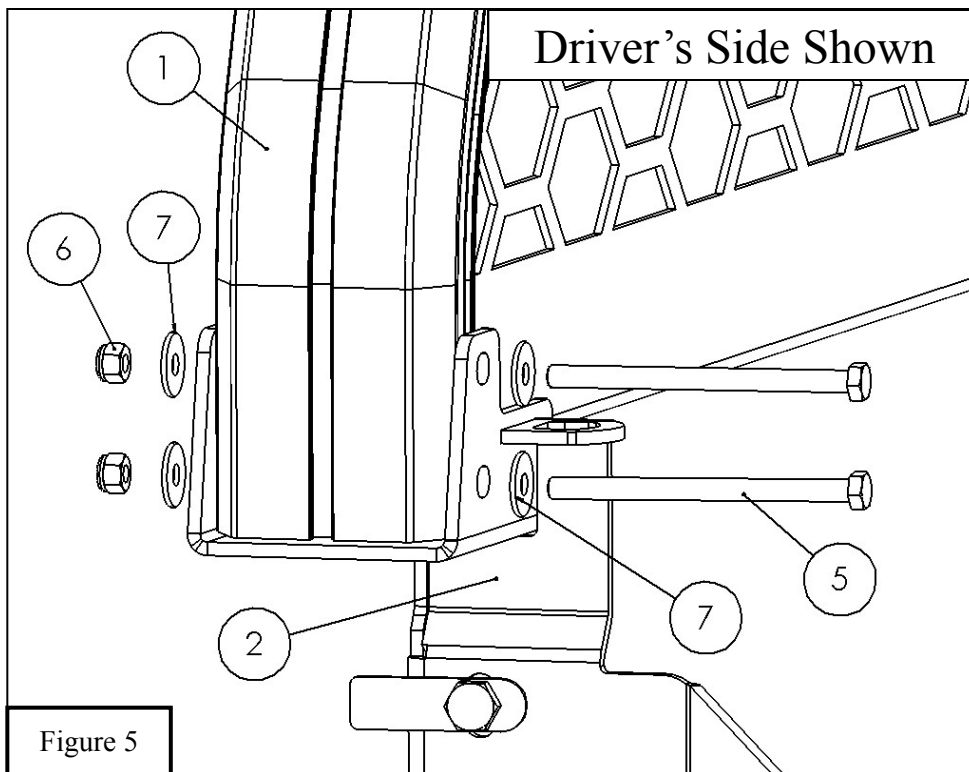
2. Using the supplied M12 Fish Wire, feed the M12 Bolt Plate through the hole in the front of the bed and install a Plastic Retainer. **See Figure 1.**
3. Remove the factory attachment plate and install the Mounting Bracket with the attachment plate sandwiching the HLR Mounting Bracket. **See Figures 2 & 3.**
4. Hand tighten hardware only for now. All hardware will be torqued at the end of installation.



5. Repeat steps 2-4 on passenger's side.
6. Position Hoop/Screen Assembly **Item 1** on bracket cradles according to **Figure 4.**



9. Using supplied M8 hardware, fasten **Item 1** on to brackets. See **Figure 5**.



**INSTALLATION COMPLETE**





## WARNING



Failure to follow these instructions could lead to death, personal injury, and / or property damage.

Failure to follow these instructions could lead to death, personal injury, and / or property damage.

### FASTENERS:

All Westin supplied fasteners must be utilized and installed in accordance with the installation instructions and apply torque to the specifications as defined. **DOUBLE CHECK ALL FASTENERS BEFORE INITIAL USE, AND PERIODICALLY IN THE FUTURE TO ENSURE PROPER FUNCTION AND SAFETY.**

### DRILLING:

Most Westin products do not require drilling for installation. If drilling is defined as required, use caution when drilling a vehicle. **FAILURE TO REVIEW AN AREA TO BE DRILLED MAY RESULT IN PERSONAL INJURY AND/OR INJURY TO OTHERS AS WELL AS VEHICLE DAMAGE.**

### EYE PROTECTION:

**ALWAYS WEAR SAFETY GLASSES OR GOGGLES DURING THE INSTALLATION PROCESS TO AVOID PERSONAL INJURY.**

### MAXIMUM TOWING/CARRYING CAPACITY:

The Westin Receiver Hitches will have a visible tow rating label affixed directly on the product. User should never exceed the vehicle manufacturers maximum tow and weight rating regardless of the capacity of the hitch. **FAILURE TO FOLLOW THESE GUIDELINES WILL VOID THE WESTIN WARRANTY AND MAY RESULT IN PERSONAL INJURY AND/OR INJURY TO OTHERS AS WELL AS VEHICLE DAMAGE.**

