



AUTOMOTIVE PRODUCTS, INC.

INSTRUCTIONS

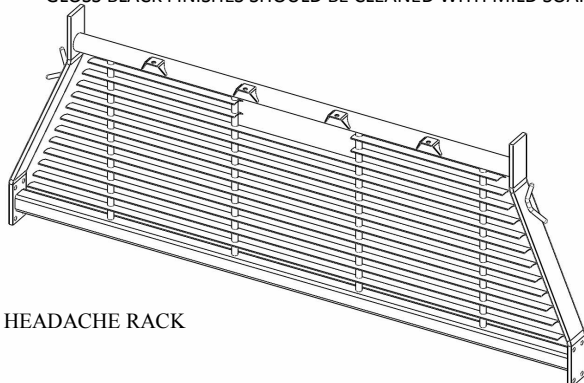
APPLICATION: 2015 FORD F150, 08-12 FORD SUPERDUTY,
 99-07 CHEVY/GMC SILVERADO/SIERRA "CLASSIC" 1500/2500/3500,
 08-14 CHEVY/GMC SILVERADO/SIERRA 1500/2500/3500,
 04-08 FORD F-150, 09-12 FORD F150, 07-12 TOYOTA TUNDRA,
 02-12 DODGE RAM 1500, 03-12 DODGE RAM 2500/3500, 88-98 Chevy/GMC C/K 1500/2500/3500
 APP PART # 57-8003, 57-8005, 57-8023, 57-8025, 57-8033, 57-8035, 57-8095, 57-8093
 HDX HEADACHE RACK

ITEM	QUANTITY	DESCRIPTION	TOOLS NEEDED
1	1	HEADACHE RACK	18MM SOCKET
2,3	2	MOUNTING BRACKETS (2) DRIVERS SIDE, (3) PASSENGER SIDE	18MM WRENCH
4	8	M12 BUTTON HEAD BOLTS	8MM ALLEN TOOL
5	24	M12 FLAT WASHERS	RATCHET
6	12	M12 LOCK WASHERS	TORQUE WRENCH
7	12	M12 HEX NUTS	2FT EXTENSION (OPTIONAL)
8	4	M12 X 60MM HEX HEAD BOLTS	9/16 DRILL BIT
9	2	SPACER PLATES(FOR USE ON 09-11 FORD F150)	DRILL MOTOR
10	2	M12 45MM BOLT PLATES	
11	2	M12 35MM BOLT PLATES	
12	8	M12 PLASTIC RETAINERS	
13	2	PLASTIC CAPS	
14	1	20 INCHES FISH WIRE	
15	1	1METER FISH WIRE	

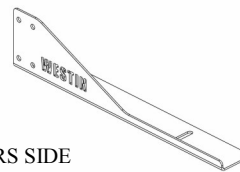
1. Remove all contents from box, verify all parts listed are present and free from damage. Carefully read and understand all instructions before attempting installation. NOTE FOR VEHICLE WITH OVER SIZE TOOL BOXES AN OPTIONAL BRACKET KIT PART # 57-8095/8093 IS AVAILABLE, THESE BRACKETS REPLACE THE DRIVERS AND PASSENGER SIDE MOUNTING BRACKETS. SEE PAGE THREE FOR IMAGES OF THESE BRACKETS.
2. Assemble the drivers and passenger side mounting brackets to the headache rack using (8) M12 button head bolts, (16) M12 flat washers, (8) M12 lock washers, and (8) M12 hex nuts. Do not fully tighten at this time. Fig 1
3. Take the assembled headache rack and place it on the bed rails and center the assembly. Mark the four drill locations then remove the rack and brackets. Fig 1
4. Drill the previously marked holes with a 9/16" drill bit. NOTE: 09-11 FORD F150's using the factory bed caps should use the provided spacer plates under the front of the mounting brackets to level the headache rack.
For 2015 F150 drilling, hardware to use, and special instructions. Please go to page 3 Figures 4 and 8.
5. Install the driver side mounting bracket starting with the forward most mounting location using the options detailed in Figs 1 and 2. Rotating the mounting bracket 90° allows access to the fasteners through the stake pocket. Repeat for passenger side bracket.
6. Install the headache rack to the mounting brackets as in step 2. NOTE : the light tabs on the upper cross-member face the cab.
7. Align and adjust the headache rack as needed then fully tighten all hardware. Torque all M12 fasteners to 50-55 ft. lbs.

CARE INSTRUCTIONS

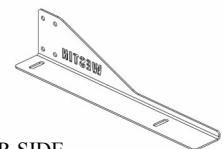
- REGULAR WAXING IS RECOMMENDED. DO NOT USE ANY TYPE OF POLISH OR WAX THAT MAY CONTAIN ABRASIVES
- STAINLESS STEEL PRODUCTS CAN BE CLEANED WITH MILD SOAP AND WATER. STAINLESS STEEL POLISH SHOULD BE USED TO POLISH SMALL SCRATCHES.
- GLOSS BLACK FINISHES SHOULD BE CLEANED WITH MILD SOAP AND WATER



HEADACHE RACK



DRIVERS SIDE MOUNTING BRACKET



PASSENGER SIDE MOUNTING BRACKET



SPACER PLATE



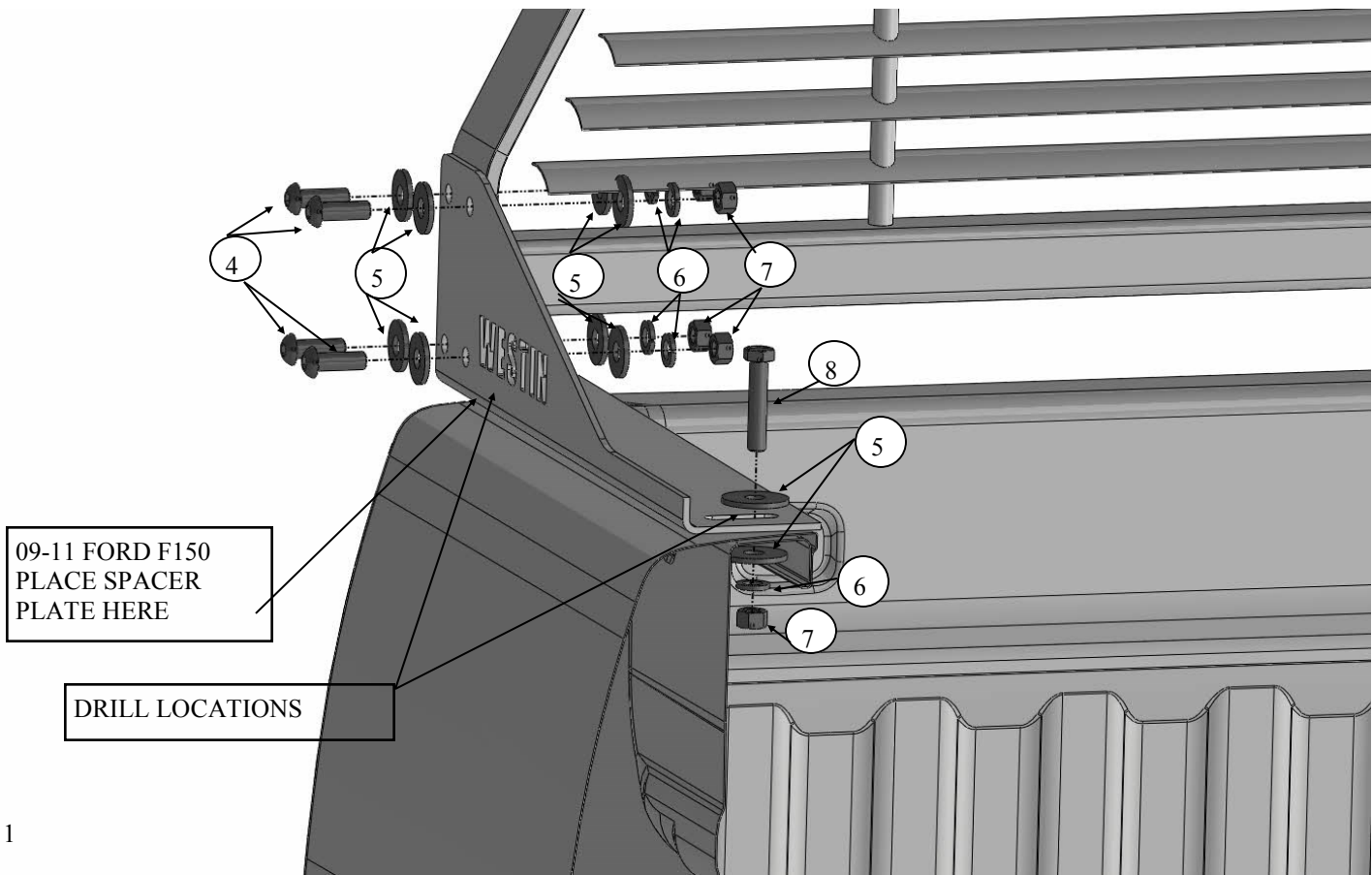


FIG 1

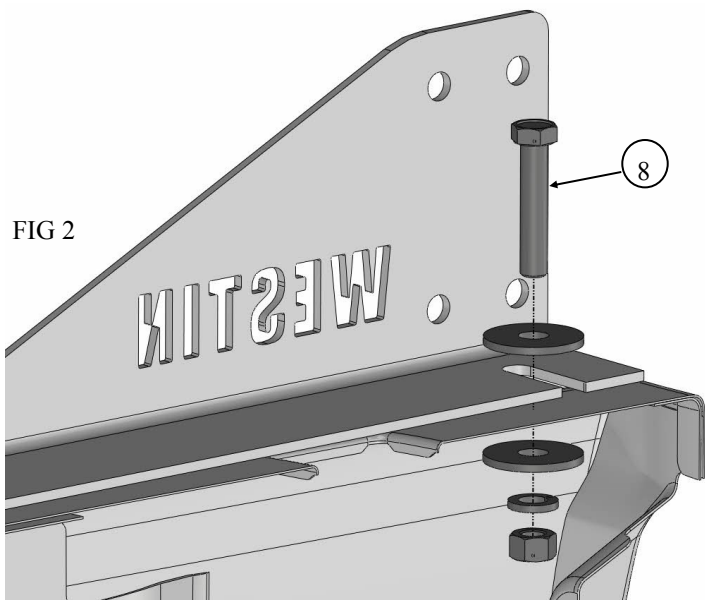


FIG 2

OPTION A: USE THIS BOLT/WASHER/NUT INSTALLATION METHOD IF ACCESS TO THE LOWER NUT IS AVAILABLE. A 2FT RATCHET EXTENSIONS WORKS WELL FOR THIS.

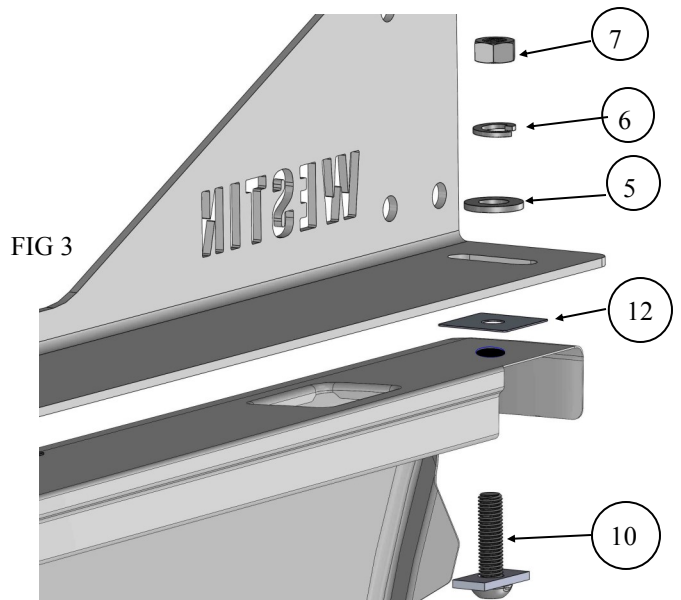
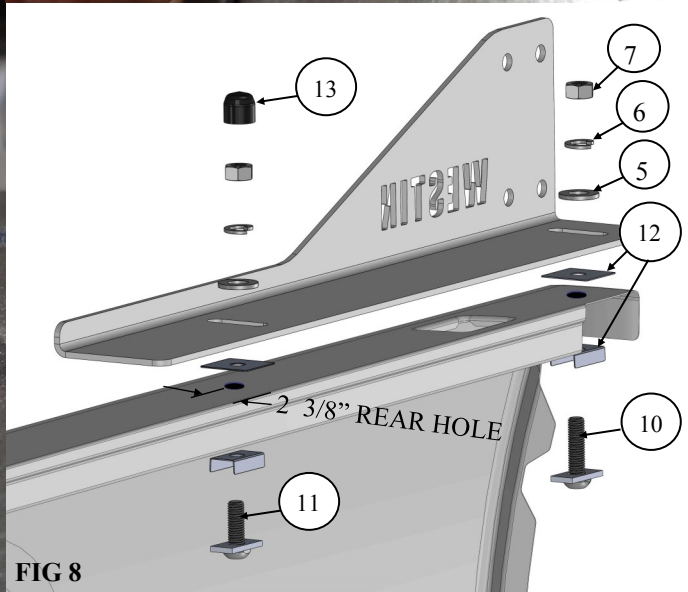


FIG 3

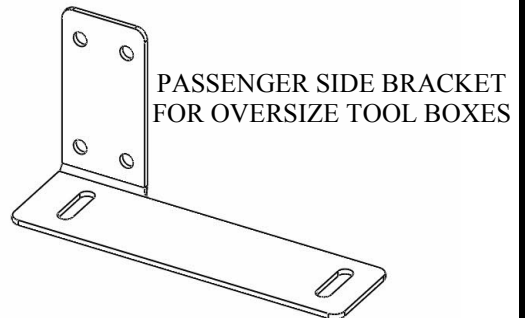
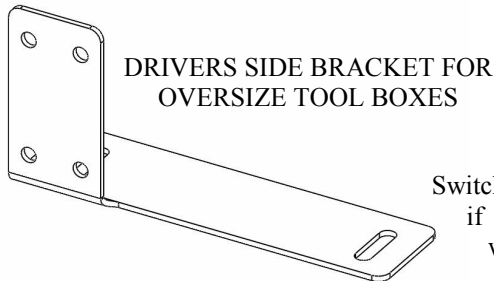
OPTION B: USE THIS BOLT PLATE INSTALLATION METHOD IF THERE IS NO ACCESS FOR OPTION A. USE A PLASTIC RETAINER TO PREVENT THE BOLT PLATE FROM FALLING.



8. Installing the Headache rack on 2015 Ford F150.
 9. Drill the previously marked holes with a 9/16" drill bit. Drill the rear hole at 2 3/8 from the inside edge. And drill the front hole at the center mark.
 10. Place a plastic retainer (Item 12) on each nut plate (Items 10 & 11). And fold them as shows on figures 4 & 5.
 11. Place 2 layers of electrical tape around the bolt as shows on figure 6.
- Important: Poly retainer and electrical tape must be used to insulate and prevent the contact between bracket (Made of steel) and truck's body (Made of aluminum). Contact between these two materials creates corrosion.**
12. At the front location insert the 20 in. fish wire into the hole, and pull it front the gap between the bed and the cabin (Figure 7 thread the fish wire onto the 45mm bolt plate (Item 10) and carefully pull the fish wire to insert the nut plate from the bottom into the hole. Use this same procedure for the rear location using the 35mm nut plate (Item 11) and the 1meter Fish wire (Item 15).
 13. Proceed to steps 5 to 7. and install plastic caps (Item 13) on rear nut plates (Figure 8).



THESE BRACKETS ARE IN THE OPTIONAL HEADACHE RACK BRACKET
KIT PART # 57-8095/8093



Switch positions of items 10 and 11 (Figure 8)
if tool box is installed at the same time.
will need to drill holes on Tool box.

