



INSTALLATION INSTRUCTIONS

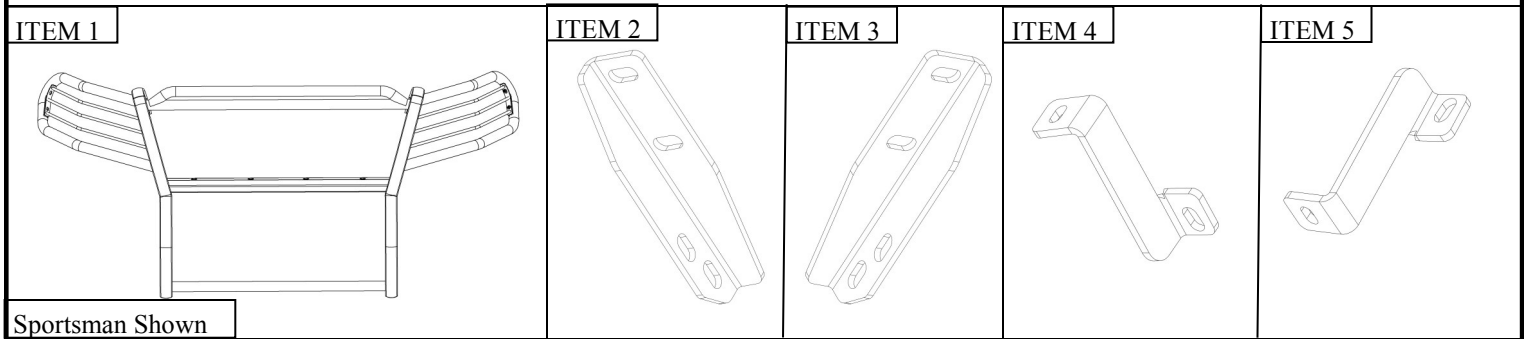
HDX & SPORTSMAN GRILLE GUARD

APPLICATION:
2019 Ford Ranger
PART NUMBER:
57-3985, 40-3985

CONTENT			
ITEM	QUANTITY	DESCRIPTION	TOOLS NEEDED
1	1	GRILLE GUARD	10MM SOCKET
2	1	LOWER DRIVER MOUNTING BRACKET	RATCHET
3	1	LOWER PASSENGER MOUNTING BRACKET	TORQUE WRENCH
4	1	TOP DRIVER MOUNTING BRACKET	ALLEN
5	1	TOP PASSENGER MOUNTING BRACKET	13MM SOCKET
6	1	M6 SERATED FLANGE HEX NUT (YELLOW ZINC)*	17MM SOCKET
7	2	M8 HEX HEAD BOLT (YELLOW ZINC)	19MM SOCKET
8	2	M8 SPLIT LOCK WASHER (YELLOW ZINC)	
9	4	M12 HEX HEAD CAP SCREW (YELLOW ZINC)	
10	4	M12 SPLIT LOCK WASHER (YELLOW ZINC)	
11	4	M12 FLAT WASHER (YELLOW ZINC)*	
12	1	M6 BUTTON HEAD BOLT (BLACK)*	
13	1	M6 FLAT WASHER (BLACK)	
14	2	M10 BUTTON HEAD BOLT (BLACK)	
15	2	M10 SERRATED BELLVILLE WASHER (BLACK)	
16	2	M10 SERRATED FLANGE NUT (BLACK)	
17	4	M12 BUTTON HEAD BOLT (BLACK)	
18	4	M12 SERRATED BELLVILLE WASHER (BLACK)	
19	4	M12 SERRATED FLANGE NUT (BLACK)	
20	2	M12 NUT PLATE	
21	2	M8 FLAT WASHER (YELLOW ZINC)	
22	2	M6 LOCK WASHER (BLACK)*	

ANTI-SEIZE LUBRICANT MUST BE USED ON ALL STAINLESS STEEL FASTENERS TO PREVENT THREAD DAMAGE AND GALLING

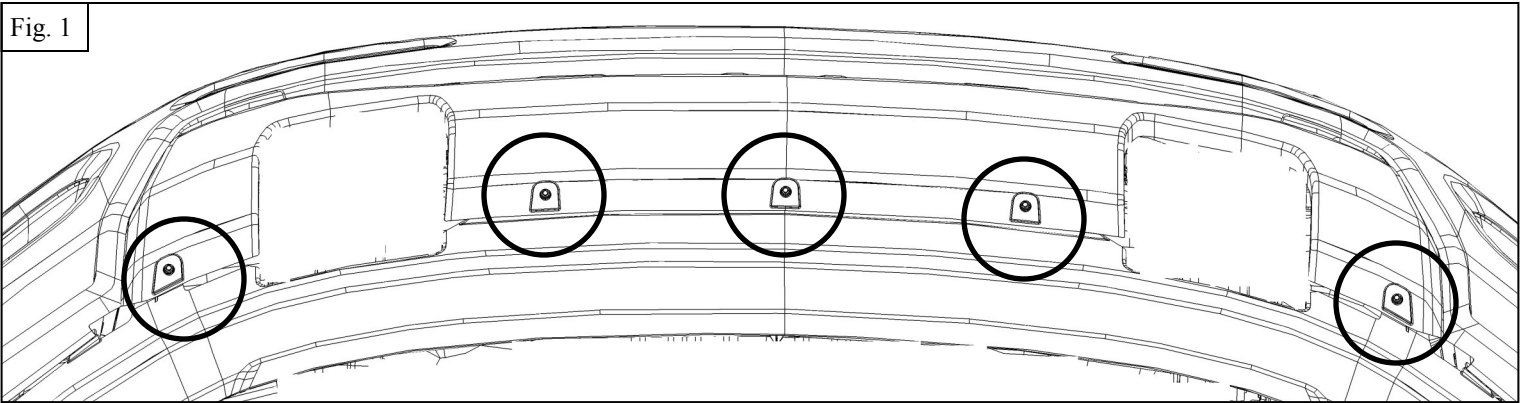
* These parts belong to the license plate relocation kit (sold separately). Part number **32-0055**



PROCEDURE

1. Remove contents from box, verify if all parts listed are present and free from damage.
Carefully read and understand all instructions before attempting installation.
Failure to identify damage before installation could lead to a rejection of any claim.

2. Remove the five lower clips found under the front end of the bumper. See **Figure 1**
3. Carefully remove the front bumper cover by pulling from the bottom up. See **Figure 2**



4. With the now exposed bumper plate, unbolt the bumper. See **Figure 3**
5. Unplug any connections to the bumper. See **Figure 4**
6. Remove the bumper.

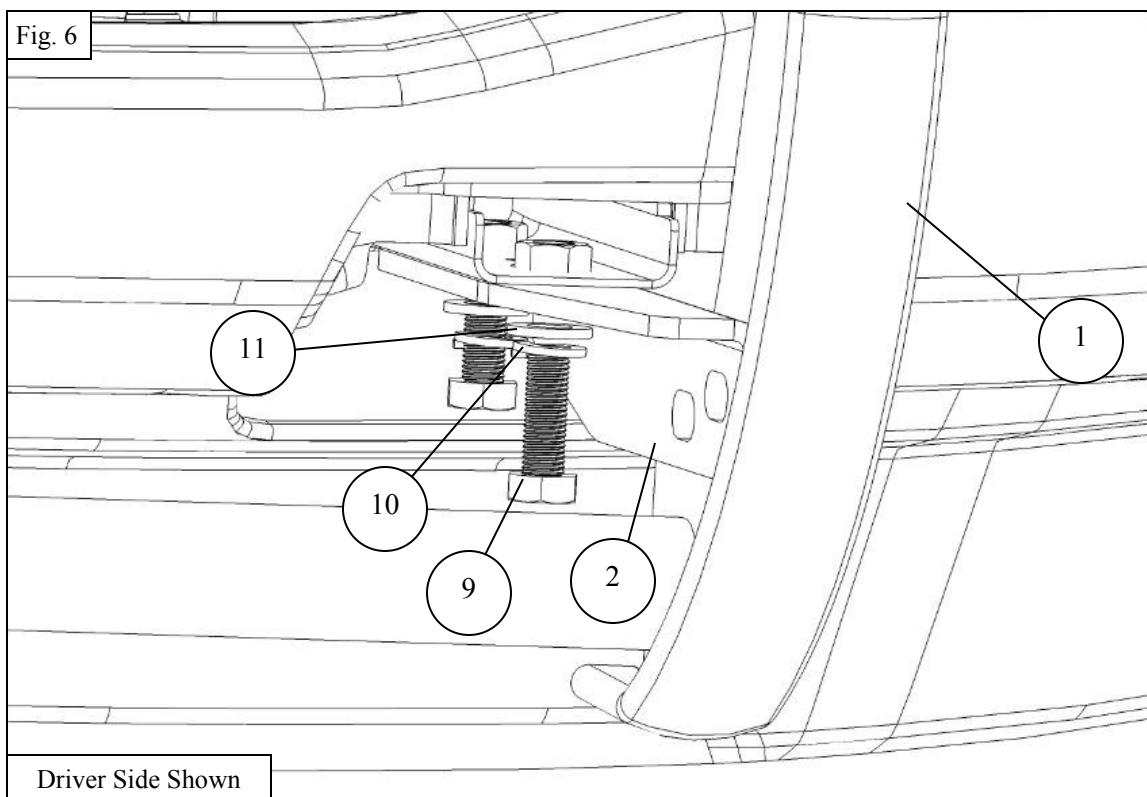
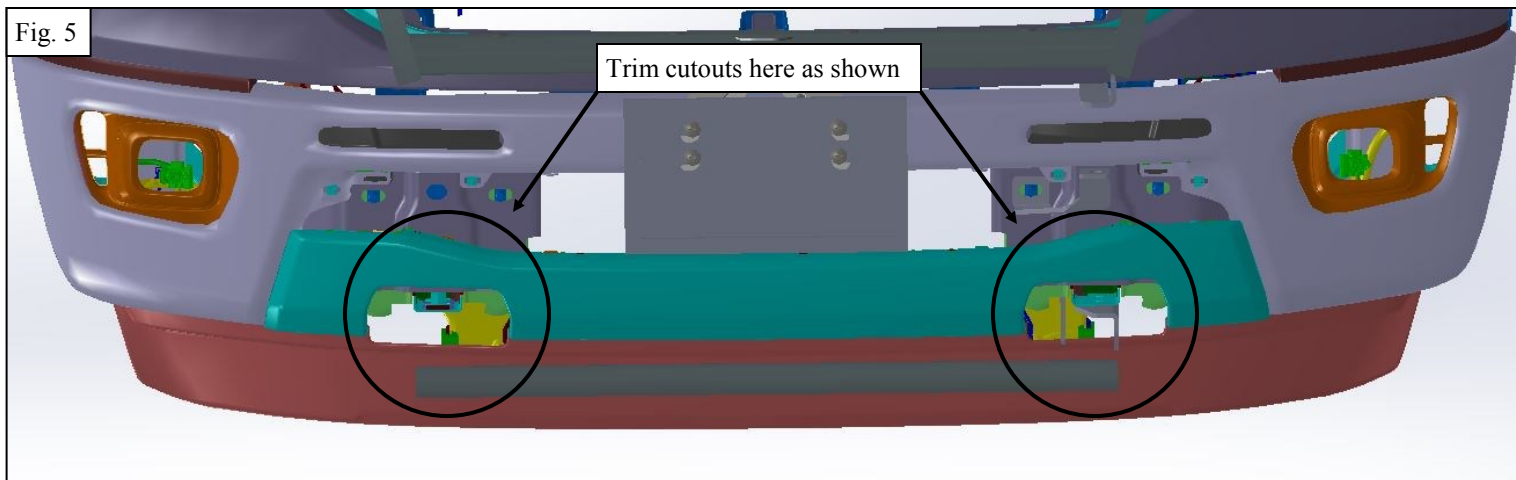
Fig. 3



Fig. 4



7. If equipped, remove the factory tow hooks. *Note: Factory Tow hooks will not be reused.*
8. If tow hooks are equipped, remove tow hooks. Then loosely install the lower mounting brackets (2, 3) using the supplied M12 hardware.
- If tow hooks are not equipped, follow these instructions:
 - A. Using a cutting tool, cut out the tow hook cover panels. **See Figure 5**
 - B. Use the supplied nut plate (Item 20) and supplied M12 hardware to install the lower brackets. **See Figure 6.**



9. Loosely Install the upper mounting brackets onto the indicated locations on the bumper using the supplied M8 hardware.

See Figure 7

- A. Measure the distance between the upper brackets. Make sure it is 33 1/2 inches.
- B. Torque the M8 bolts to 18 ft lbs.
- C. Re-install the factory bumper.

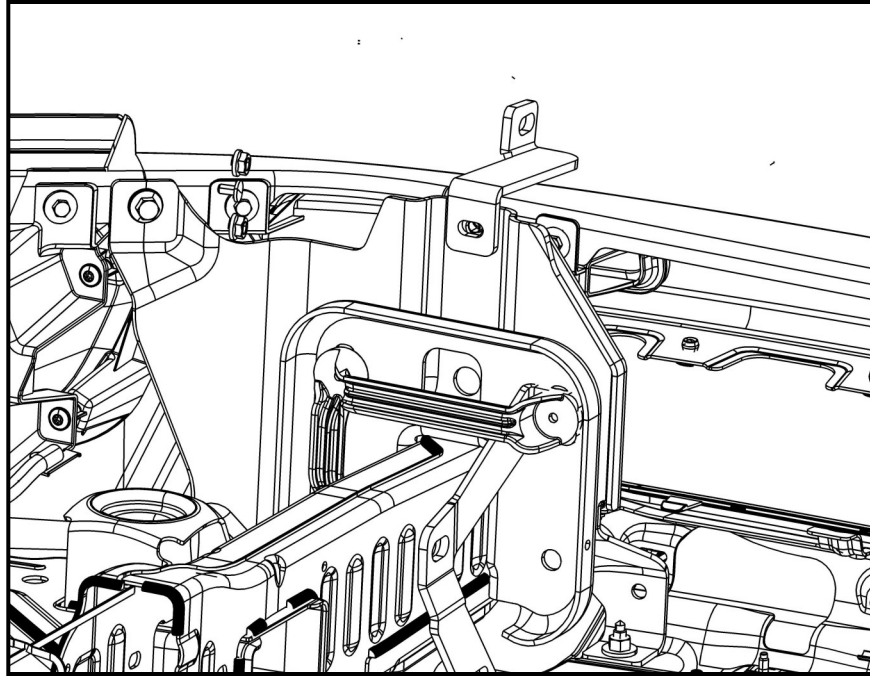
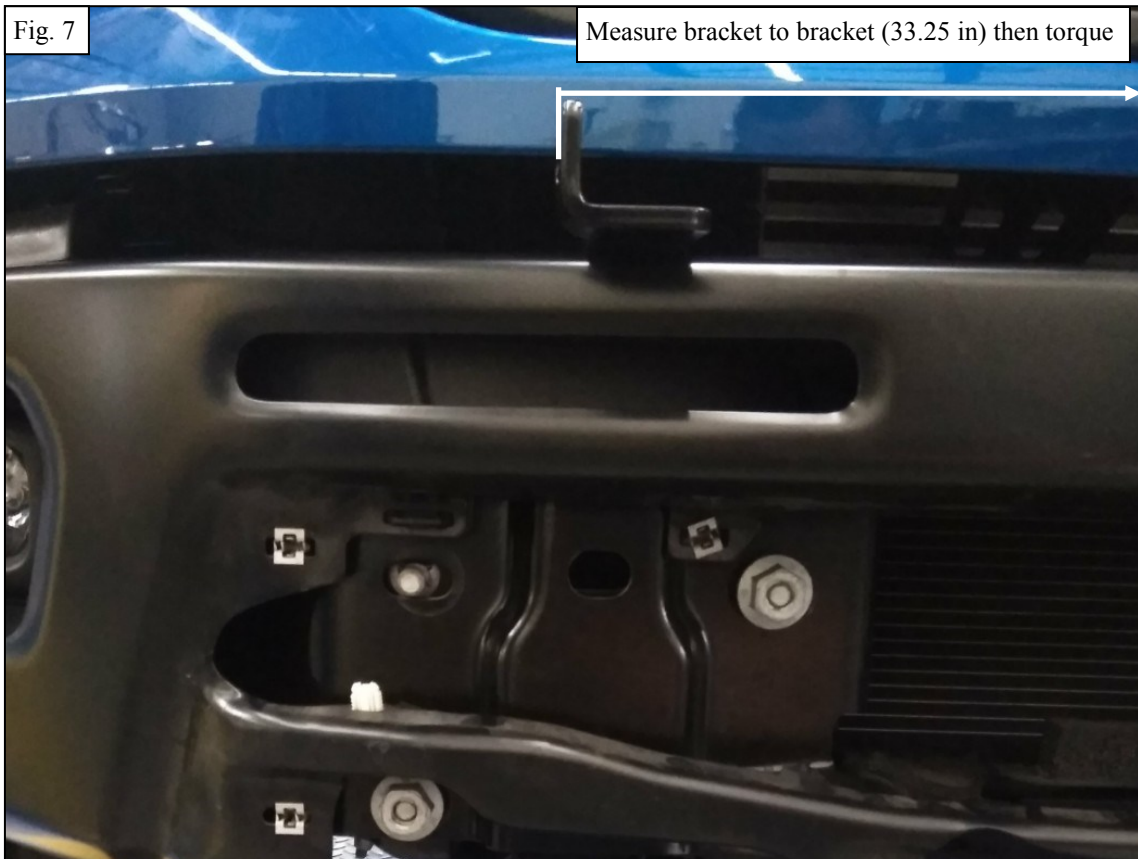
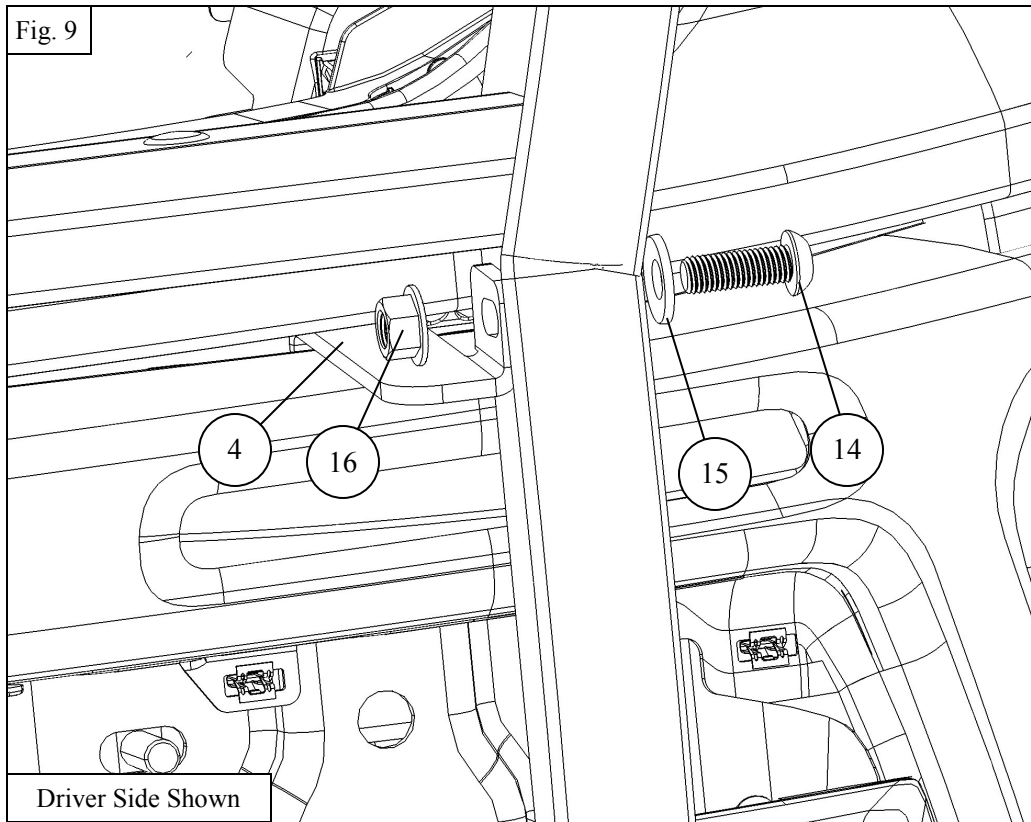
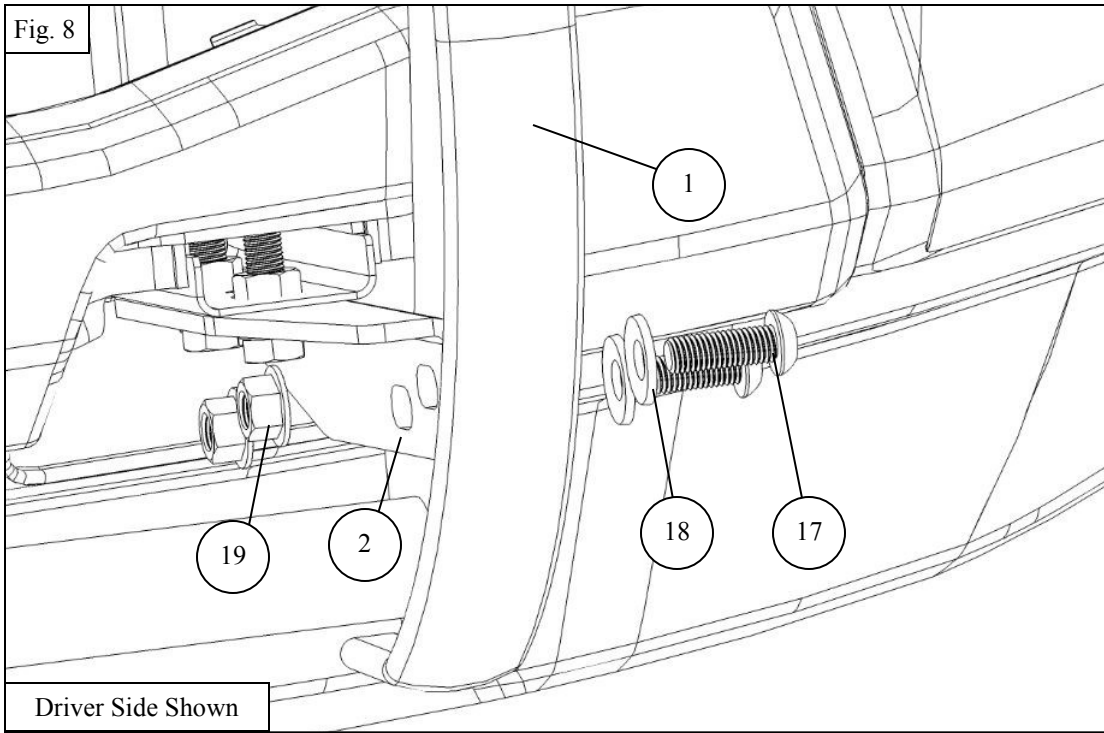


Fig. 7

Measure bracket to bracket (33.25 in) then torque

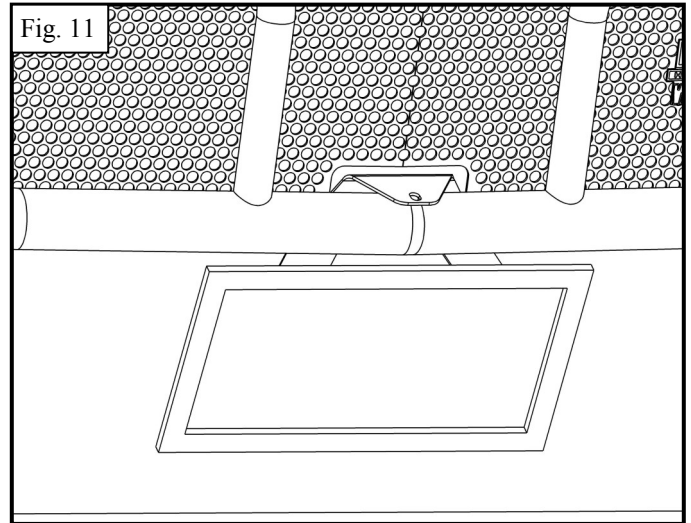
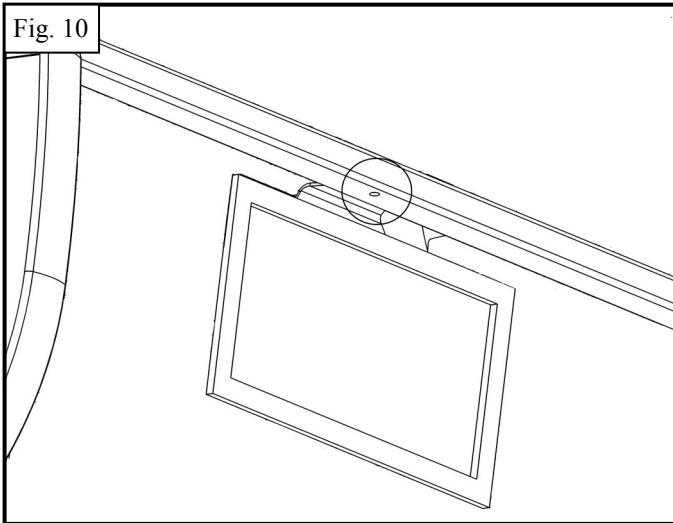


10. Loosely mount the grille guard assembly to the brackets on the vehicle using supplied M10 and M12 hardware. See Figure 8-9.



11. Adjust grille guard and torque down all bolts as specified: M6 to 7 ft lbs, M8 to 18 ft lbs, M10 to 35-40 ft lbs, M12 to 60 ft lbs.

12. Use M6 hardware to mount license plate with license plate relocater 32-0055, reference IS 75-0376.



INSTALLATION COMPLETE



Care Instructions

- REGULAR WAXING IS RECOMMENDED. DO NOT USE ANY TYPE OF POLISH OR WAX THAT MAY CONTAIN ABRASIVES.
- STAINLESS STEEL PRODUCTS CAN BE CLEANED WITH MILD SOAP AND WATER. STAINLESS STEEL POLISH SHOULD BE USED TO POLISH SMALL SCRATCHES.
- GLOSS BLACK FINISHES SHOULD BE CLEANED WITH MILD SOAP AND WATER.

WESTIN