



INSTRUCTIONS

APPLICATION: GMC SIERRA 1500 HDX & SPORTSMAN GRILLE GUARDS
(2014 & UP) APPLICATION PART #'S 57-3690, 57-3695, 40-3695, 45-3690

AUTOMOTIVE PRODUCTS, INC.

ITEM	QUANTITY	DESCRIPTION	TOOLS NEEDED
1	1	GRILLE GUARD ASSEMBLY	RATCHET
2,3	2	LOWER MOUNTING BRACKETS (DRV & PASS)	SCREWDRIVER
4,5	2	LOWER SUPPORT BRACKETS (DRV & PASS)	15MM WRENCH
6,7	2	UPPER SUPPORT BRACKETS (DRV & PASS)	15MM SOCKET
8	2	M12 NUTPLATE (YELLOW ZINC)	ALLEN WRENCH
9	2	M12 STUD (YELLOW ZINC)	18MM WRENCH
10	2	M12 THICK WASHER (YELLOW ZINC)	18MM SOCKET
11	2	M12 WIDE WASHER (YELLOW ZINC)	10MM SOCKET
12	4	M12 LOCK WASHER (YELLOW ZINC)	7MM SOCKET
13	2	M12 HEX NUT (YELLOW ZINC)	16MM SOCKET
14	2	M12 HEX BOLT (YELLOW ZINC)	16MM WRENCH
15	2	M12 FLAT WASHER (YELLOW ZINC)	T10 TORX BIT
16	2	M6 HEX BOLT (YELLOW ZINC)	RATCHET EXT.
17	2	M6 SPLIT LOCK WASHER (YELLOW ZINC)	TORQUE WRENCH
18	2	M6 FLAT WASHER (YELLOW ZINC)	UTILITY KNIFE
19	2	M12 POLY BOLT RETAINER	
20	4	M12 HEX HEAD BOLT (STAINLESS)	
21	4	M12 LOCK WASHER (STAINLESS)	
22	8	M12 FLAT WASHER (STAINLESS)	
23	4	M12 HEX NUT (STAINLESS)	
24	2	M10 BUTTON HEAD BOLT (STAINLESS)	
25	4	M10 FLAT WASHER (STAINLESS)	
26	2	M10 LOCK WASHER (STAINLESS)	
27	2	M10 HEX NUT (STAINLESS)	
28	2	SPACER	

ANTI-SEIZE LUBRICANT MUST BE USED ON ALL STAINLESS STEEL FASTENERS TO PREVENT THREAD DAMAGE AND GALLING

1. Remove contents from box, verify if all parts listed are present and free from damage. Carefully read and understand all instructions before attempting installation.
2. Remove the front grille and filler panel from the front of the vehicle (Figures 1 - 6).



Thank You for choosing Westin products.

Pull up all fasteners and re-
move plastic radiator cover.



Fig. 1



Fig. 2

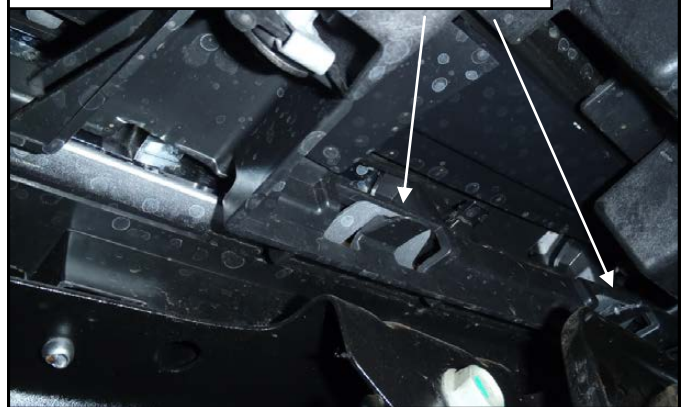
Remove the two fasteners nearest the front of the vehicle on each side attaching the fender trim to the fender. Note: The



Fig. 3

Working from beneath the vehicle use a flathead screwdriver to pop loose the plastic tabs retaining the filler panel to the grille.

Fig. 4



Remove the remaining screw on each side that is hidden beneath the fender trim that holds the Filler Panel onto the fender.



Fig. 5

Once all fasteners have been removed and the tabs are popped loose carefully pull the filler panel off of the vehicle.

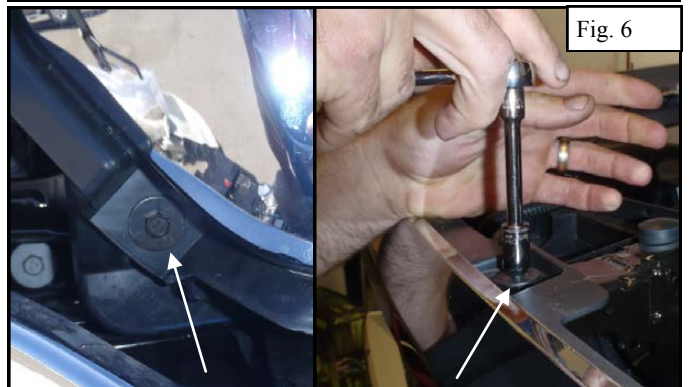


Fig. 6

Remove all of the screws holding the grille to the radiator support and carefully pull it from the vehicle. Note: there are several inaccessible clips that provide some retention on the grille. They will pop loose when you pull on the grille.

3. From beneath the vehicle slip the supplied M12 nutplates into the large holes in the bottom of the frame as shown (Figure 7). Make sure the flat portion of the nutplate is on the bottom of the frame and center the threaded portion in the middle of the hole.

- Assemble the thick M12 washer and poly washer on the M12 stud (Figure 8). Partially thread the assembly into the nutplate previously placed inside the frame. The thick washer centers the stud in the middle of the large hole. The poly washer prevents the washer from falling off.



Slip the M12 nutplate into the holes on each side of the frame.

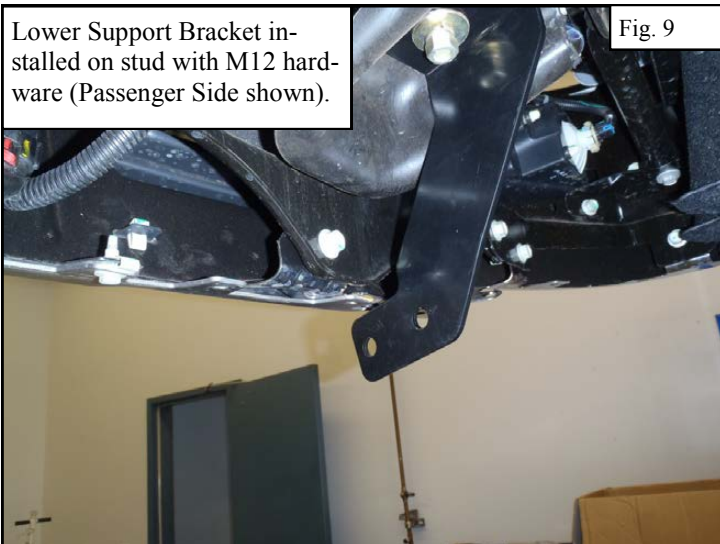
Fig. 7



Partially thread this assembly into the nutplate.

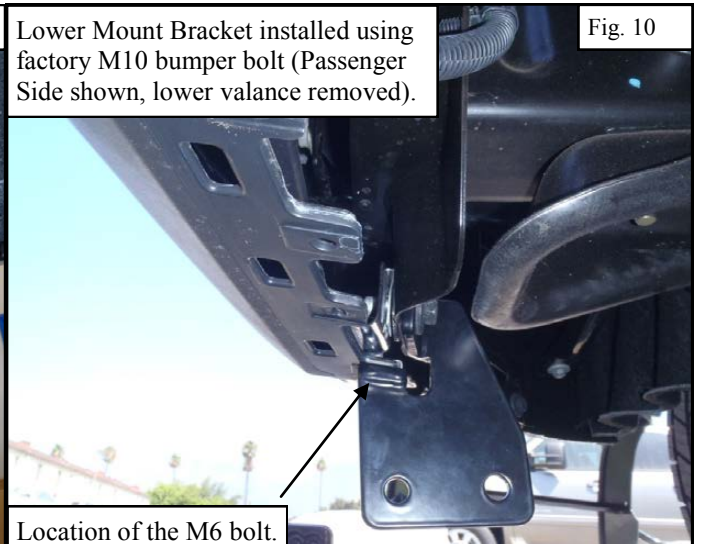
Fig. 8

- Loosely install the Lower Support Brackets on the studs using the supplied M12 hardware (Figure 9). Note: The lower plastic valance will either need to be trimmed or permanently removed in order to accomplish this.
- Remove the lower M10 factory bumper bolts and the appropriate M6 bolt. Re-use the factory M10 hardware and supplied M6 hardware to loosely install the Lower Mounting Brackets (Figure 10).



Lower Support Bracket installed on stud with M12 hardware (Passenger Side shown).

Fig. 9



Lower Mount Bracket installed using factory M10 bumper bolt (Passenger Side shown, lower valance removed).

Fig. 10

Location of the M6 bolt.

- With assistance temporarily install the Grille Guard on the lower mounting brackets using the supplied M12 hardware (Figure 13). Note: The Grille Guard mount point should be sandwiched between the Lower Mounting Bracket and Lower Support Bracket when properly installed.
- One side at a time remove the factory M12 upper bumper mounting bolts and use the exposed threaded holes to install the Upper Support Straps with the supplied Yellow Zinc M12 Hex Bolts and Spacers. Adjust the support straps as necessary against the Grille Guard still held in place by the assistant and torque the M12 hardware to 45-50 ft-lbs. (Figure 11).
- Remove one bolt from each side of the lower mounting brackets and rotate the Grille Guard back down to the ground.
- Test fit the Filler Panel. There will be some interference with the installed Upper Support Brackets. Mark where the Filler Panel inside plastic hits and carefully trim it out of the way. It is not necessary to trim any of the exposed painted portion of the Filler Panel (Figure 12).

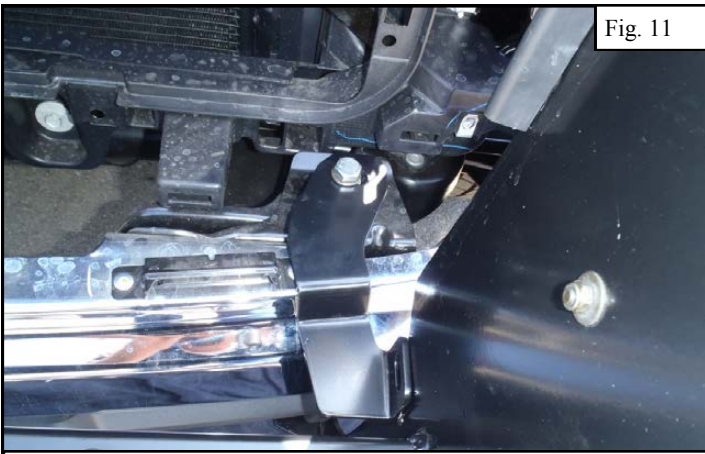


Fig. 11

Install the Upper Support Straps using the supplied M12 hardware and Spacers. Driver Side shown.



Fig. 12

Test fit the Filler Panel and trim the inner plastic as necessary to clear the Upper Support Straps.

11. Re-install the vehicle's Grille in the reverse or that it was removed.
12. Re-install the vehicle's Filler Panel in the reverse order that it was removed.
13. Swing the Grille Guard back up into position, loosely attach remaining lower M12 hardware and upper M10 hardware (Figures 13 & 14).

Loosely install the Grille Guard by sandwiching it between the mounting brackets.



Fig. 13

Loosely attach the Upper Support Strap to the Grille Guard using supplied M10 hardware.



Fig. 14

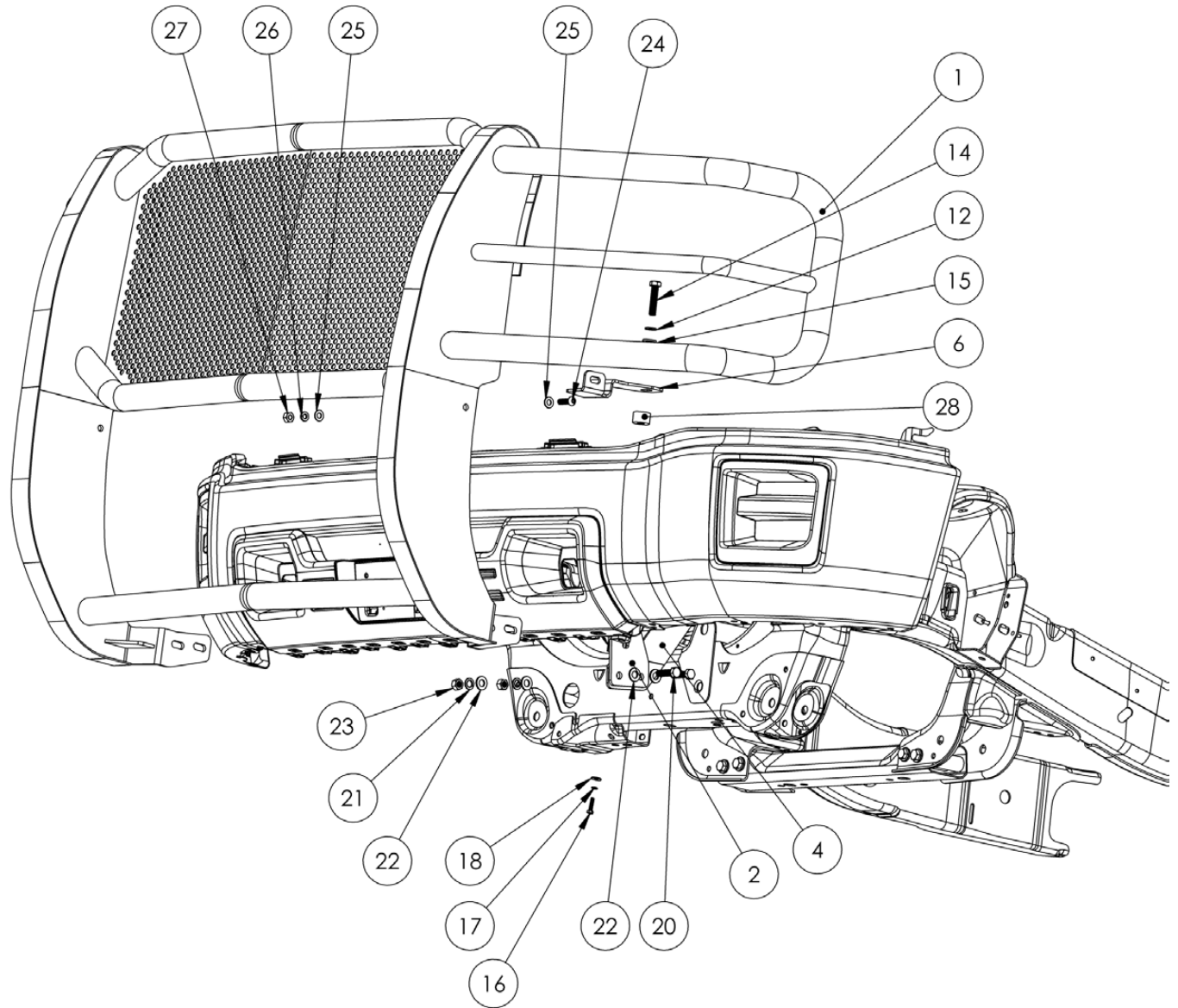
Sportsman GG Installation Complete



HDX GG Installation Complete



12. Align and adjust the Grille Guard as necessary. Tighten all remaining hardware; M10 to 30-35 ft-lbs., M12 to 50-55 ft-lbs.



HDX GRILLE GUARD EXPLODED VIEW (SPORTSMAN SIMILAR)

CARE INSTRUCTIONS

- REGULAR WAXING IS RECOMMENDED. DO NOT USE ANY TYPE OF POLISH OR WAX THAT MAY CONTAIN ABRASIVES
- STAINLESS STEEL PRODUCTS CAN BE CLEANED WITH MILD SOAP AND WATER. STAINLESS STEEL POLISH SHOULD BE USED TO POLISH SMALL SCRATCHES.
- GLOSS BLACK FINISHES SHOULD BE CLEANED WITH MILD SOAP AND WATER



Thank You for choosing Westin products.