



SIGNATURE OF QUALITY

AUTOMOTIVE PRODUCTS, INC.

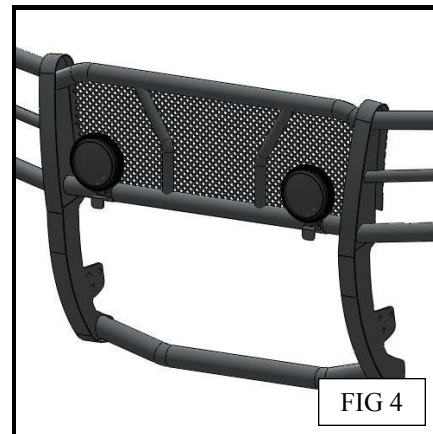
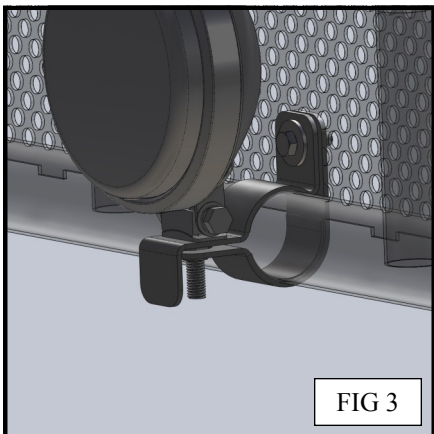
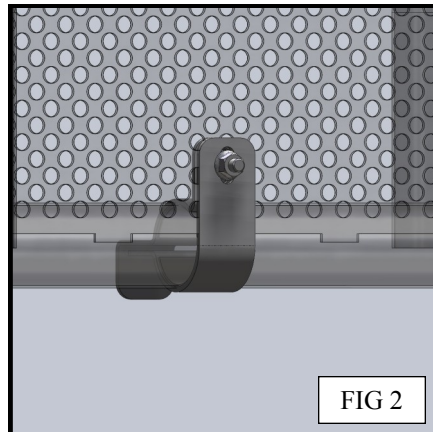
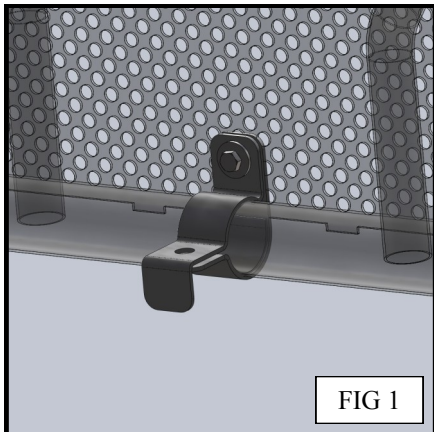
INSTRUCTIONS

APPLICATION: HDX GRILLE GUARDS
APP PART # 57-0000 / 57-0005
LIGHT MOUNT TAB

ITEM	QUANTITY	DESCRIPTION	TOOLS NEEDED
1	2	CLAMP - TOP	13MM SOCKET
2	2	CLAMP - BOTTOM	13MM WRENCH
3	2	M8 X 25MM LENGTH CAP SCREW	
4	2	M8 FLAT WASHER	
5	2	M8 SERRATED FLANGE NUT	

ANTI-SEIZE LUBRICANT MUST BE USED ON ALL STAINLESS STEEL FASTENERS TO PREVENT THREAD DAMAGE AND GALLING

1. Remove contents from box, verify if all parts listed are present and free from damage. Carefully read and understand all instructions before attempting installation.
2. This light clamp is attached on the top tab through the grille guard screen. The M8 Fasteners are used to secure the tab to the screen.
3. The clamp can then be tightened using the fastener that comes with the auxiliary lamp.
4. Figure 4 shows a typical installation of the light mounts. Configuration will vary by the grille guard design.



Light your way with the highest quality off-road lights on the market.