

# INSTALLATION INSTRUCTIONS

## HDX NERF XTREME BOARDS

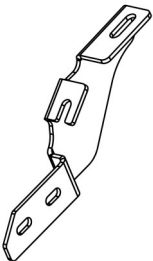
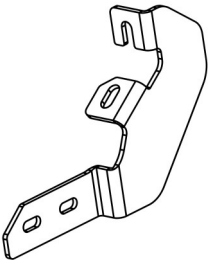
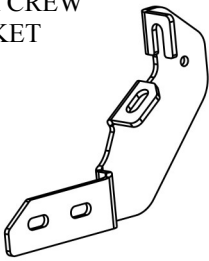
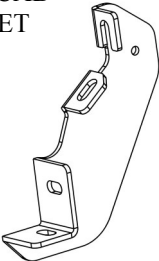


**APPLICATION:**  
2019 Ford Ranger SuperCab, SuperCrew  
**PART NUMBER:**  
56-24145, 56-24155

CONTENT			
ITEM	QUANTITY	DESCRIPTION	TOOLS NEEDED
1	1	DRIVER STEP BAR	10MM SOCKET
2	1	PASSENGER STEP BAR	10MM WRENCH
3	2	FRONT BRACKET	13MM SOCKET
4	2	CENTER BRACKET	16MM SOCKET
5	2	REAR BRACKET	RATCHET
6	12	M8 HEX HEAD BOLT	TORQUE WRENCH
7	12	M8 SPLIT LOCK WASHER	
8	12	M8 FLAT WASHER	
9	12	M10 HEX HEAD BOLT	
10	12	M10 SPLIT LOCK WASHER	
11	12	M10 FLAT WASHER	

**ANTI-SEIZE LUBRICANT MUST BE USED ON ALL STAINLESS STEEL FASTENERS TO PREVENT THREAD DAMAGE AND GALLING**



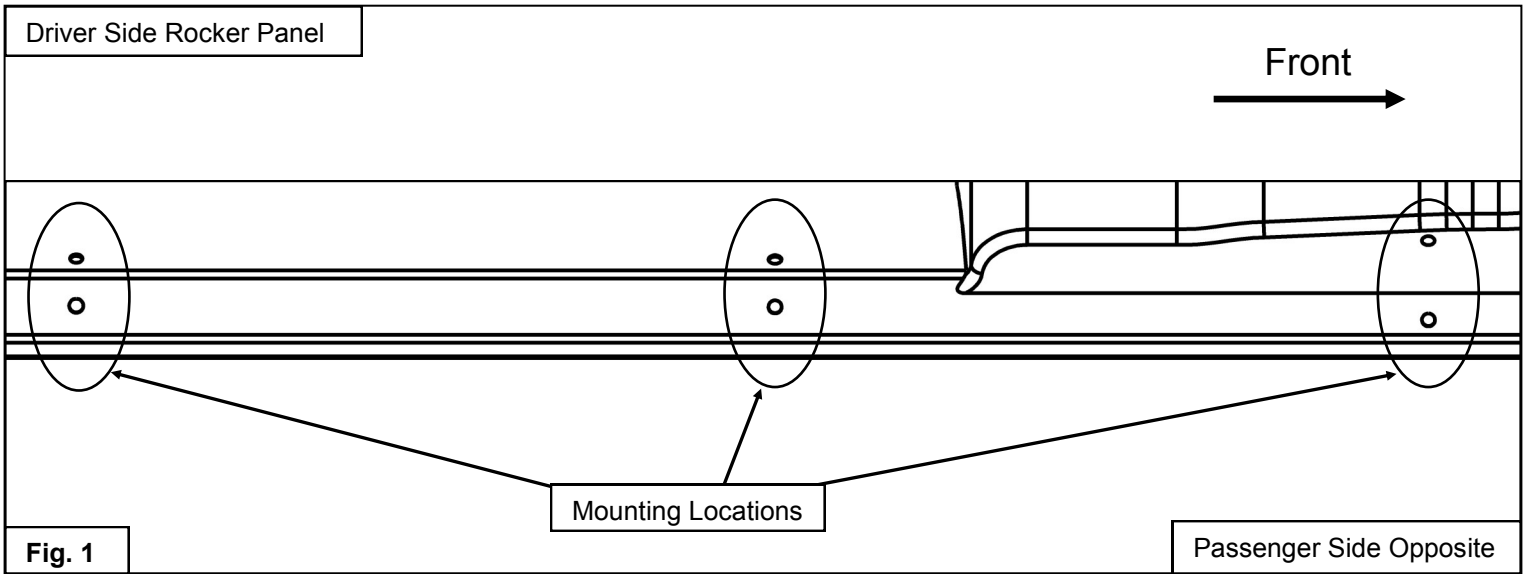
ITEM 1			
			
ITEM 3	ITEM 4	ITEM 5	ITEM 5

### PROCEDURE

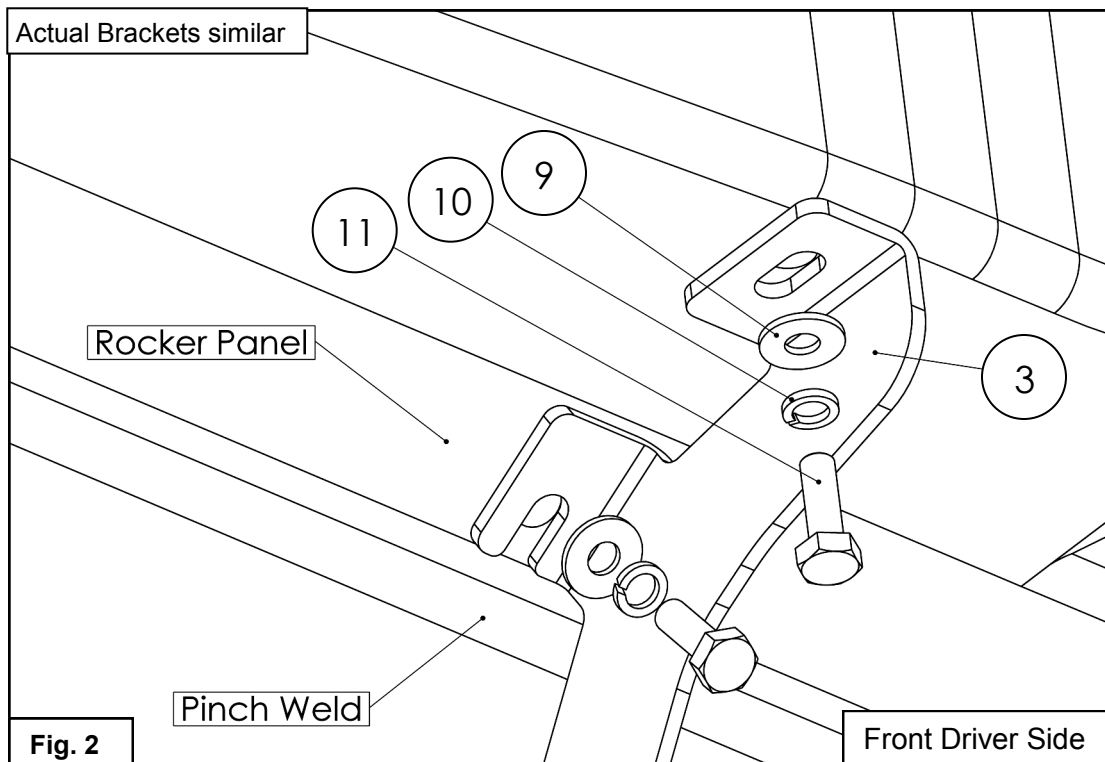
1. Remove contents from box, verify if all parts listed are present and free from damage.  
Carefully read and understand all instructions before attempting installation.  
**Failure to identify damage before installation could lead to a rejection of any claim.**



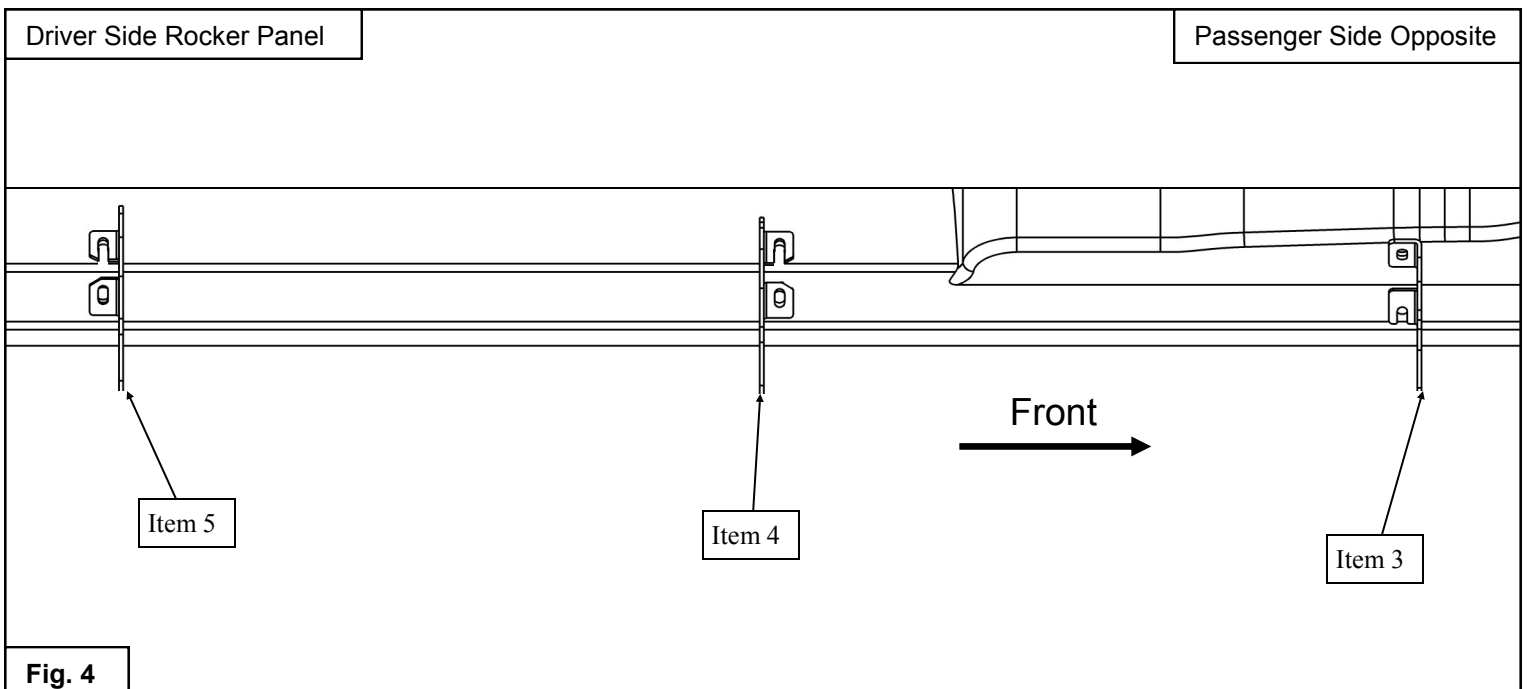
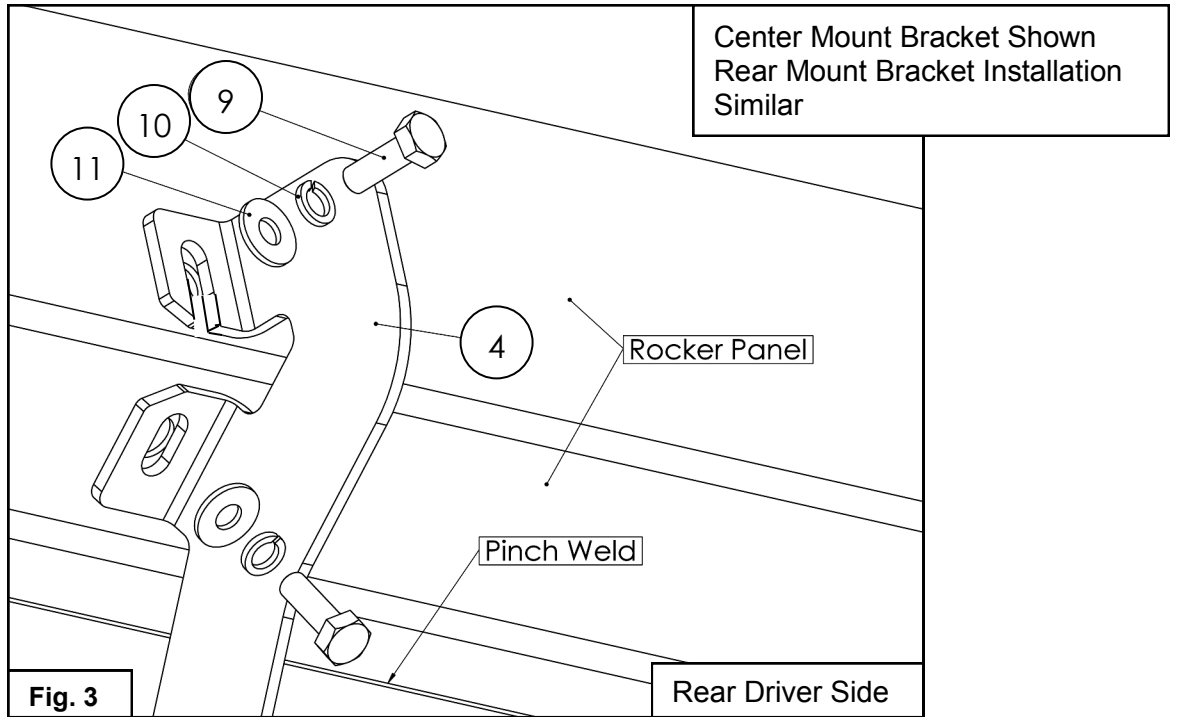
2. Beginning on the driver side of the vehicle, remove (2) M10 OEM bolts (or plastic plugs) from each mounting location on the rocker panel. See **Figure 1**.



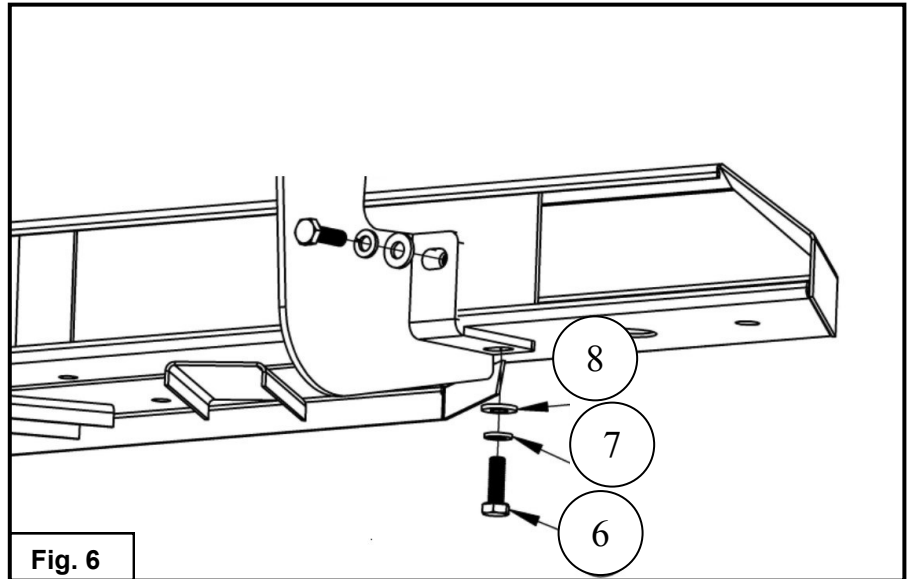
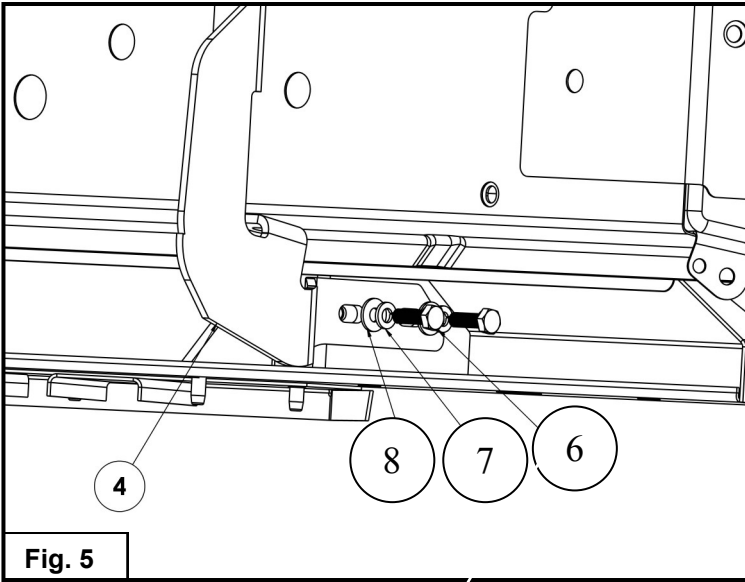
3. Loosely secure (1) Front Mount Bracket (item 3) to the rocker panel using the supplied M10 hardware . See **Figures 1 & 2**.



4. Loosely secure (1) Center Mount Bracket (item 5) and (1) Rear Mount Bracket (item 7) to the rocker panel using the supplied M10 hardware. See **Figures 3 & 4**.



5. Mount the running boards on both sides using supplied M8 Hardware. See **Figure 5** *Note: All brackets mount to the running board/ drop step in the same way.*



5. Align and adjust the step bars and brackets as needed, then fully tighten all hardware: M8 to 18 ft-lbs, M10 to 38 ft-lbs.

INSTALLATION COMPLETE



#### CARE INSTRUCTIONS

- REGULAR WAXING IS RECOMMENDED. DO NOT USE ANY TYPE OF POLISH OR WAX THAT MAY CONTAIN ABRASIVES.
- STAINLESS STEEL PRODUCTS CAN BE CLEANED WITH MILD SOAP AND WATER. STAINLESS STEEL POLISH SHOULD BE USED TO POLISH SMALL SCRATCHES.
- GLOSS BLACK FINISHES SHOULD BE CLEANED WITH MILD SOAP AND WATER

**WESTiN**



## WARNING



Failure to follow these instructions could lead to death, personal injury, and / or property damage.

Failure to follow these instructions could lead to death, personal injury, and / or property damage.

### **FASTENERS:**

All Westin supplied fasteners must be utilized and installed in accordance with the installation instructions and apply torque to the specifications as defined. **DOUBLE CHECK ALL FASTENERS BEFORE INITIAL USE, AND PERIODICALLY IN THE FUTURE TO ENSURE PROPER FUNCTION AND SAFETY.**

### **DRILLING:**

Most Westin products do not require drilling for installation. If drilling is defined as required, use caution when drilling a vehicle. **FAILURE TO REVIEW AN AREA TO BE DRILLED MAY RESULT IN PERSONAL INJURY AND/OR INJURY TO OTHERS AS WELL AS VEHICLE DAMAGE.**

### **EYE PROTECTION:**

**ALWAYS WEAR SAFETY GLASSES OR GOGGLES DURING THE INSTALLATION PROCESS TO AVOID PERSONAL INJURY.**

### **MAXIMUM TOWING/CARRYING CAPACITY:** (if applicable)

The Westin Receiver Hitches will have a visible tow rating label affixed directly on the product. User should never exceed the vehicle manufacturers maximum tow and weight rating regardless of the capacity of the hitch. **FAILURE TO FOLLOW THESE GUIDELINES WILL VOID THE WESTIN WARRANTY AND MAY RESULT IN PERSONAL INJURY AND/OR INJURY TO OTHERS AS WELL AS VEHICLE DAMAGE.**

### **FOR CALIFORNIA RESIDENTS ONLY-PROP 65 WARNING:**

Some products may contain chemicals such as DEHP, which can cause cancer, birth defects or other reproductive harm.