

# INSTALLATION INSTRUCTIONS

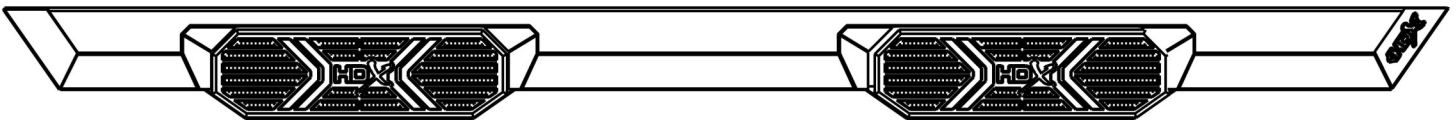
Xtreme Board



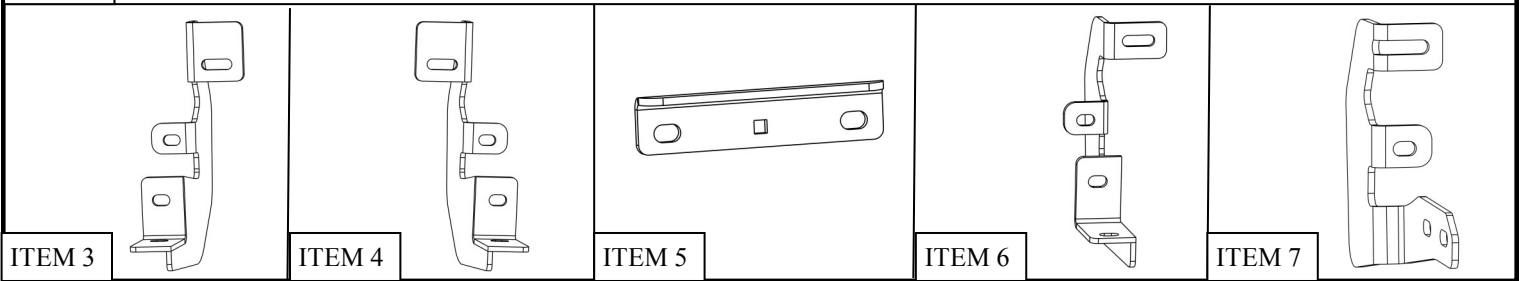
APPLICATION:  
2019 Ram 1500 Crew Cab  
PART NUMBER:  
56-24085, 56-24095

CONTENT			
ITEM	QUANTITY	DESCRIPTION	TOOLS NEEDED
1,2	2	STEP BAR ASSEMBLY	13MM SOCKET
3	1	DRIVER SIDE FRONT MOUNT BRACKET	RATCHET
4	1	PASSENGER SIDE FRONT MOUNT BRACKET	TORQUE WRENCH
5	6	UNIVERSAL BRACKET	
6	2	REAR MOUNT BRACKET	
7	2	CENTER MOUNT BRACKET	
8	6	M8 ROUND HEAD SQUARE NECK BOLT	
9	12	M8 HEX HEAD BOLT	
10	18	PLASTIC RETAINER SQUARE	
11	24	M8 HEX NUT	
12	36	M8 FLAT WASHER	
13	36	M8 SPLIT LOCK WASHER	

ANTI-SEIZE LUBRICANT MUST BE USED ON ALL STAINLESS STEEL FASTENERS TO PREVENT THREAD DAMAGE AND GALLING



ITEM 1



## PROCEDURE

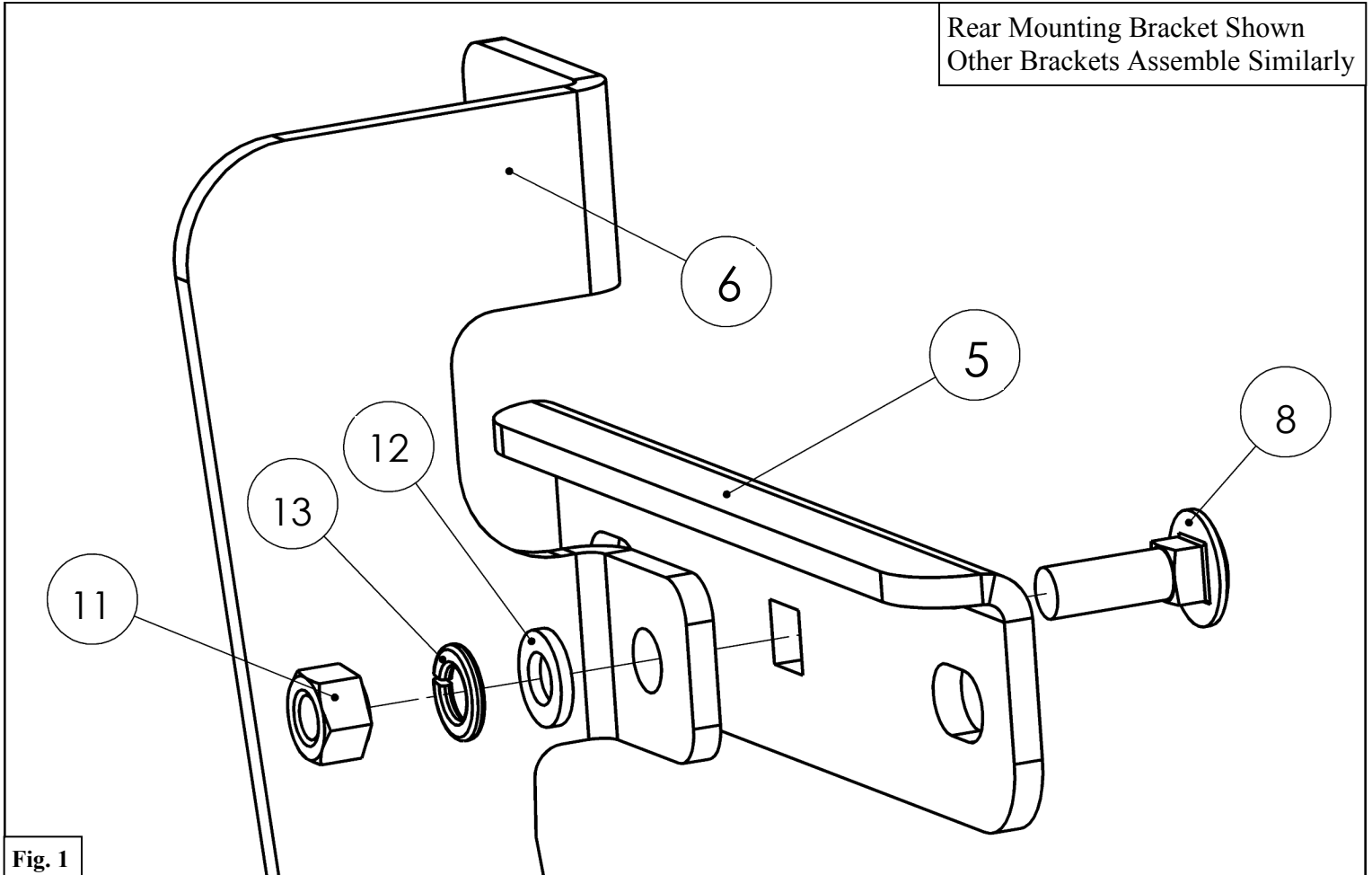
- Remove contents from box, verify if all parts listed are present and free from damage.  
Carefully read and understand all instructions before attempting installation.  
**Failure to identify damage before installation could lead to a rejection of any claim.**



## PROCEDURE

1. Remove contents from box, verify if all parts listed are present and free from damage.  
Carefully read and understand all instructions before attempting installation.  
**Failure to identify damage before installation could lead to a rejection of any claim.**

2. Preassemble the Mounting Brackets (3-7). Do not tighten hardware at this time. See **Figure 1**.



3. Starting on the passenger side of the vehicle, locate the 3 mounting locations on the rocker panel.

**Note A:** The rear mounting location is shown in **Figure 2**.

Other mounting locations are similar.

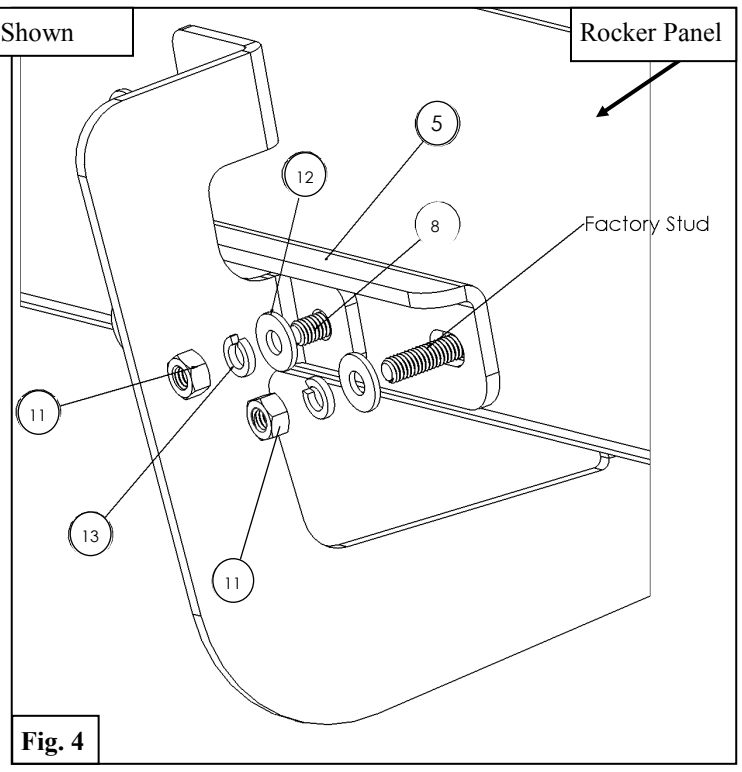
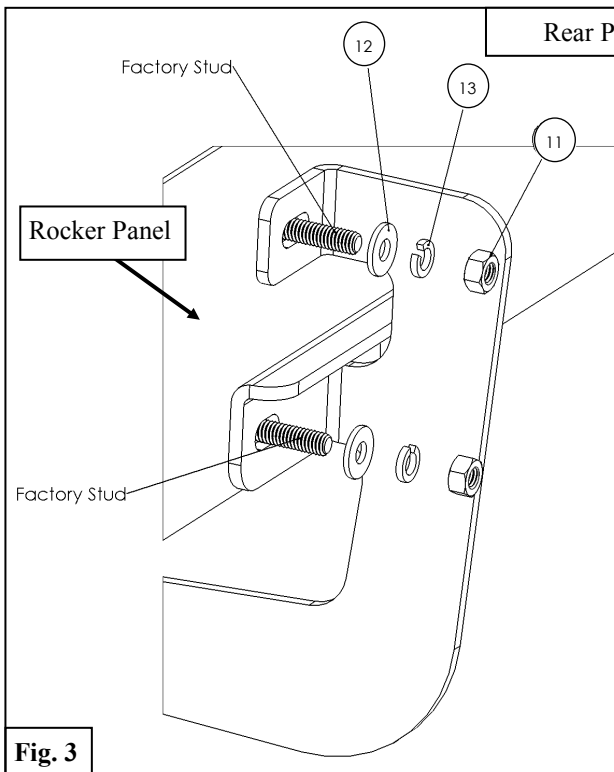
**Note B:** The lower two studs on the rocker panel have a thick coat of paint on them. When installing the M8 hex nuts, apply extra pressure to start. If necessary, back M8 hex nuts off the studs to clear build up.

See **Figure 2**.

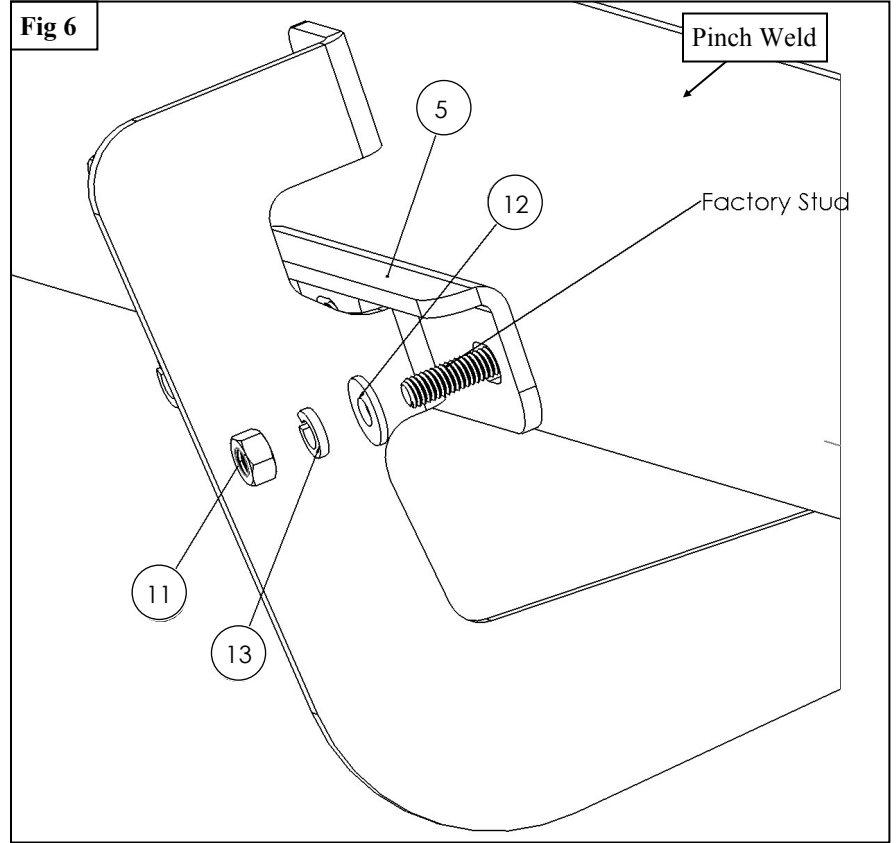
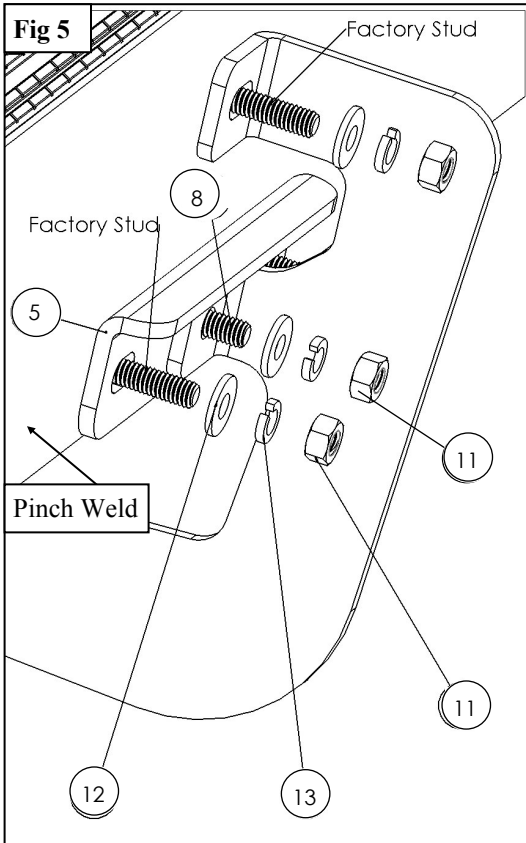
Rear Mounting Location Shown  
Other Mounting Locations are Similar

**Fig. 2**

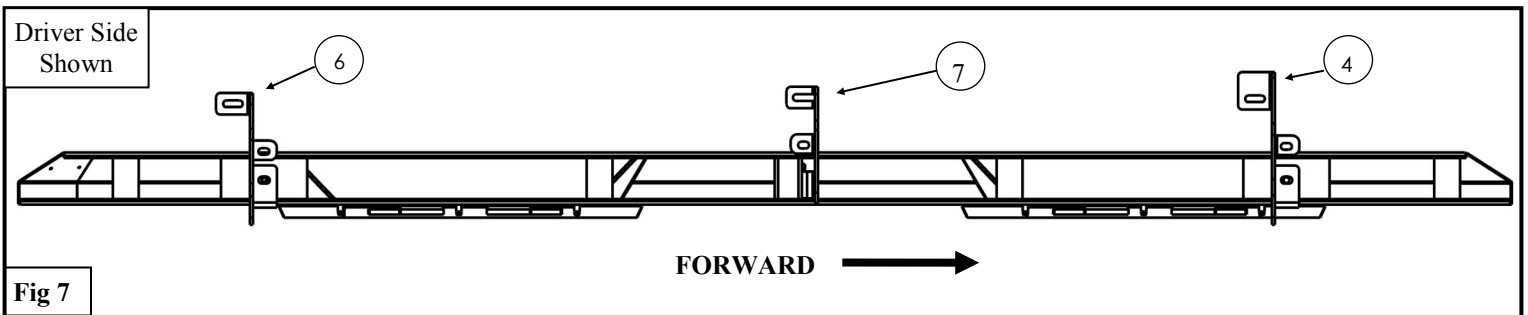
4. At the rear mounting location, loosely install Rear Mounting Bracket (6) with preassembled Universal Bracket (5) using the supplied M8 hardware. See **Figures 3 & 4**.



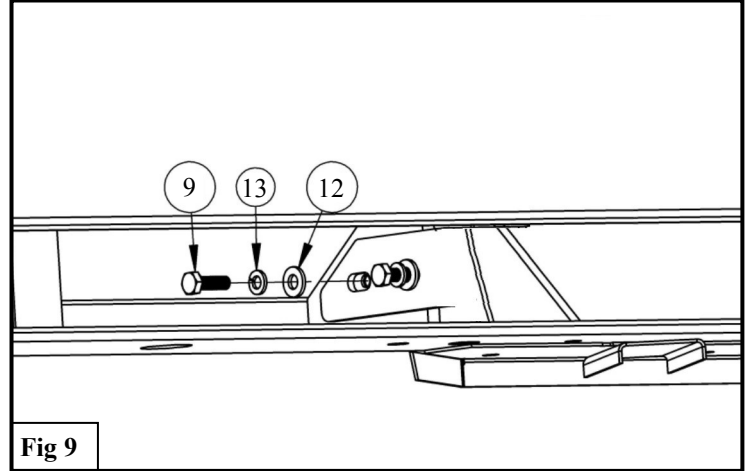
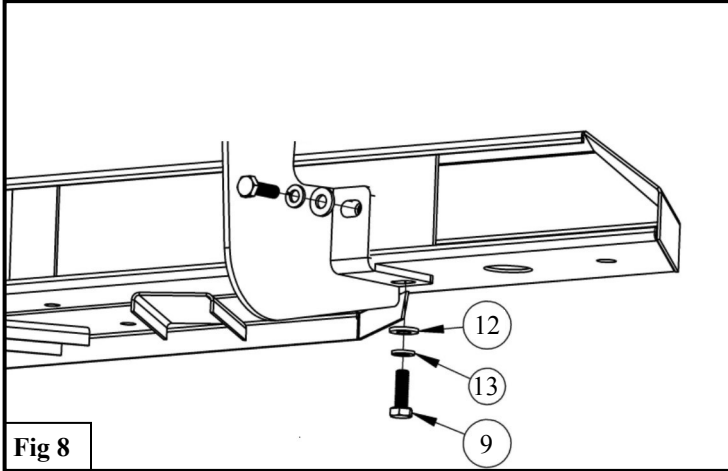
5. At the center passenger mounting location, loosely install Center Mount Bracket (7) with preassembled Universal Bracket (5) using the supplied M8 hardware. See **Figures 5 & 6**.



6. At the front passenger mounting location, loosely install Front Mounting Bracket (3 & 4) with preassembled Universal Mounting Bracket (5). **Note:** Installation is similar to Rear Mounting Bracket
7. Repeat **Steps 4-7** on the driver side of the vehicle.
8. Use **Figure 7** Below as reference.



9. Loosely Install step bars respectively to either side using the M8 hardware provided with the step bars. See **Figure 9**.
10. Align and adjust the step bars as needed and fully tighten all hardware. Torque all M8 fasteners to 15-18 ft-lbs



### INSTALLATION COMPLETE



#### Care Instructions

- REGULAR WAXING IS RECOMMENDED. DO NOT USE ANY TYPE OF POLISH OR WAX THAT MAY CONTAIN ABRASIVES.
- STAINLESS STEEL PRODUCTS CAN BE CLEANED WITH MILD SOAP AND WATER. STAINLESS STEEL POLISH SHOULD BE USED TO POLISH SMALL SCRATCHES.
- GLOSS BLACK FINISHES SHOULD BE CLEANED WITH MILD SOAP AND WATER.

**WESTIN**