



AUTOMOTIVE PRODUCTS,

# INSTALLATION INSTRUCTIONS

**Xtreme Board**

**APPLICATION:**

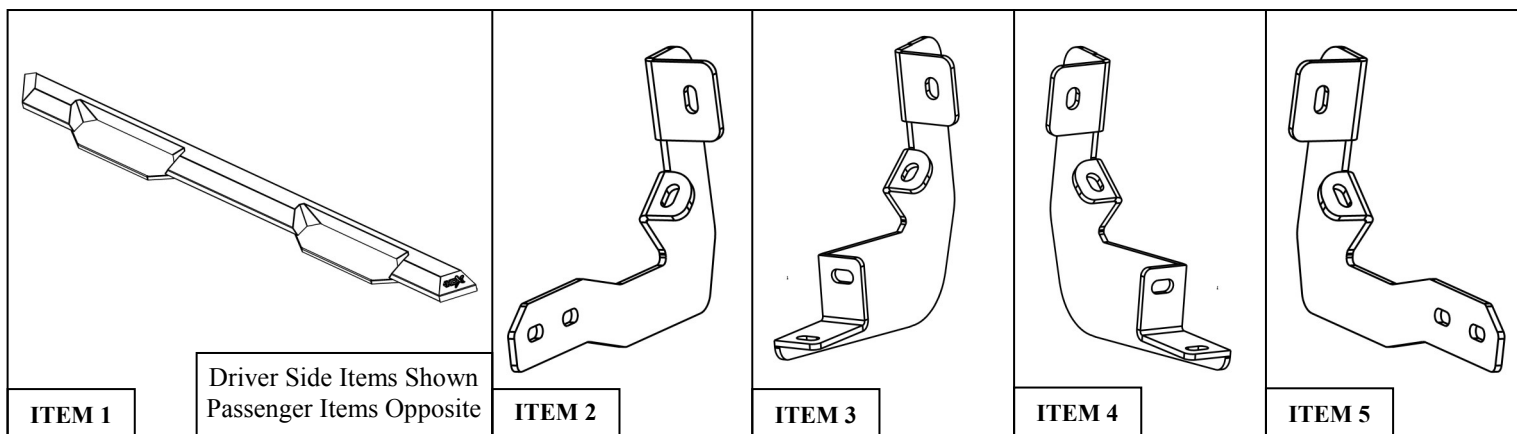
2016-2017 Nissan Titan XD Crew Cab  
2017 Nissan Titan Crew Cab

**PART NUMBER:**

56-24025

ITEM	QUANTITY	DESCRIPTION	TOOLS NEEDED
1	2	STEP BAR ASSEMBLY	RATCHET
2	2	DRIVER SIDE MOUNT BRACKET	TORQUE WRENCH
3,4	2	CENTER MOUNT BRACKET, DRIVER(4) AND PASSENGER(5)	10MM SOCKET
5	2	PASSENGER SIDE MOUNT BRACKET	13MM SOCKET
6	24	M8 HEX HEAD CAP SCREW (YELLOW ZINC)	13MM WRENCH
7	24	M8 SPLIT LOCK WASHER (YELLOW ZINC)	SOCKET EXT.
8	24	M8 FLAT WASHER (YELLOW ZINC)	ALLEN WRENCH

**ANTI-SEIZE LUBRICANT MUST BE USED ON ALL STAINLESS STEEL FASTENERS TO PREVENT THREAD DAMAGE AND GALLING**

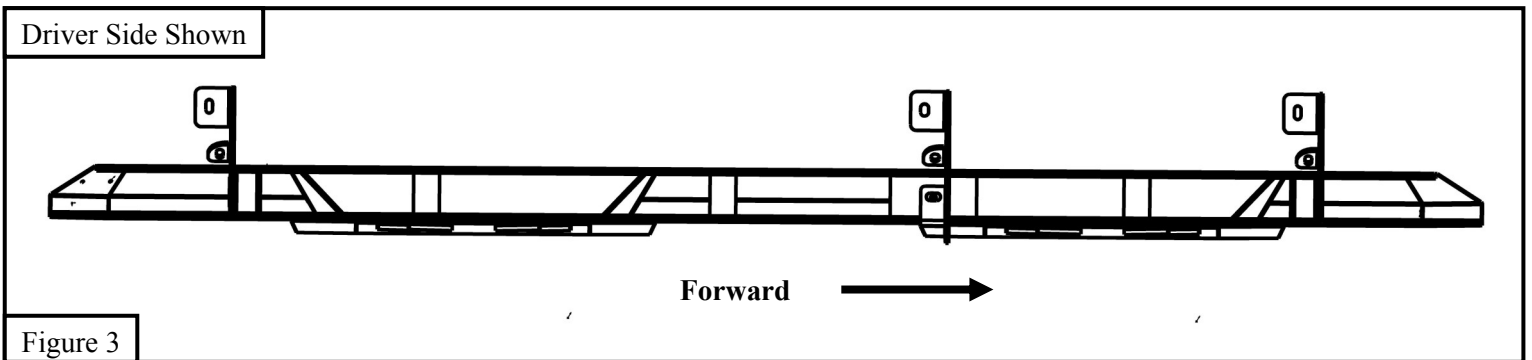
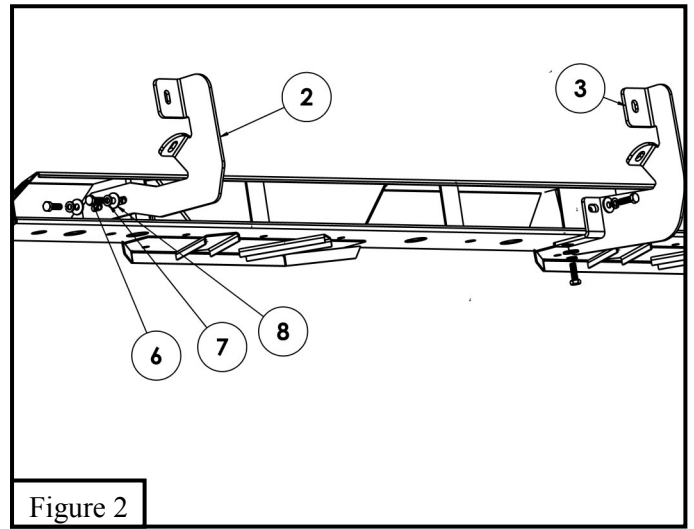
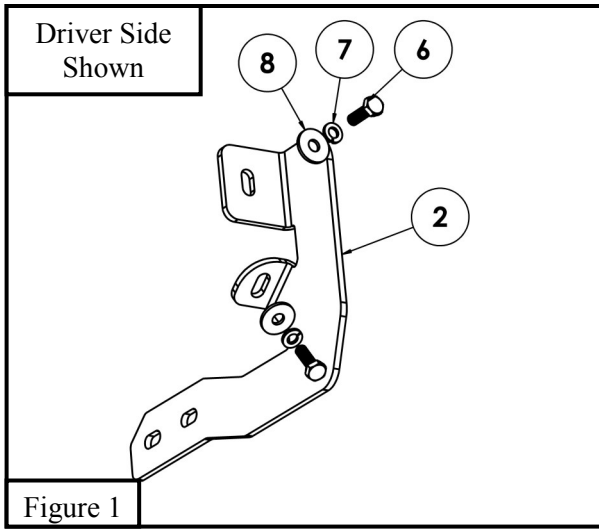


Driver Side Items Shown  
Passenger Items Opposite

## PROCEDURE

1. Remove contents from box, verify if all parts listed are present and free from damage.  
Carefully read and understand all instructions before attempting installation.  
**Failure to identify damage before installation could lead to a rejection of any claim.**
1. Starting on the driver side, locate each mounting location. On the rocker panel find locations with M8 threaded holes.
2. Then loosely install bracket onto rocker panel using (2) M8 hex head cap screws, (2) M8 flat washers, and (2) M8 split lock washers. **See Figure 1.**
3. For step bar assembly installation to the previously installed mounting brackets using (2) M8 hex head cap screws, (2) M8 flat washers, and (2) M8 split lock washers. When installing **See Figure 2 & 3.**
4. Align and adjust step bars and brackets as necessary, then fully tighten all M8 hardware to 20 ft-lbs.





### Care Instructions

- REGULAR WAXING IS RECOMMENDED. DO NOT USE ANY TYPE OF POLISH OR WAX THAT MAY CONTAIN ABRASIVES.
- STAINLESS STEEL PRODUCTS CAN BE CLEANED WITH MILD SOAP AND WATER. STAINLESS STEEL POLISH SHOULD BE USED TO POLISH SMALL SCRATCHES.
- GLOSS BLACK FINISHES SHOULD BE CLEANED WITH MILD SOAP AND WATER.

# Westin

SIGNATURE OF QUALITY

AUTOMOTIVE PRODUCTS, INC.



## WARNING



Failure to follow these instructions could lead to death, personal injury, and / or property damage.

### FASTENERS:

All Westin supplied fasteners must be utilized and installed in accordance with the installation instructions and apply torque to the specifications as defined. **DOUBLE CHECK ALL FASTENERS BEFORE INITIAL USE, AND PERIODICALLY IN THE FUTURE TO ENSURE PROPER FUNCTION AND SAFETY.**

### DRILLING:

Most Westin products do not require drilling for installation. If drilling is defined as required, use caution when drilling a vehicle. **FAILURE TO REVIEW AN AREA TO BE DRILLED MAY RESULT IN PERSONAL INJURY AND/OR INJURY TO OTHERS AS WELL AS VEHICLE DAMAGE.**

### EYE PROTECTION:

**ALWAYS WEAR SAFETY GLASSES OR GOGGLES DURING THE INSTALLATION PROCESS TO AVOID PERSONAL INJURY.**

### MAXIMUM TOWING/CARRYING CAPACITY:

The Westin Receiver Hitches will have a visible tow rating label affixed directly on the product. User should never exceed the vehicle manufacturers maximum tow and weight rating regardless of the capacity of the hitch. **FAILURE TO FOLLOW THESE GUIDELINES WILL VOID THE WESTIN WARRANTY AND MAY RESULT IN PERSONAL INJURY AND/OR INJURY TO OTHERS AS WELL AS VEHICLE DAMAGE.**

Westin  
SIGNATURE

Learn more about running boards and step bars we have.