

INSTALLATION INSTRUCTIONS

HDX DROP STEPS



APPLICATION:

2022 Toyota Tundra Crew Max, Double Cab

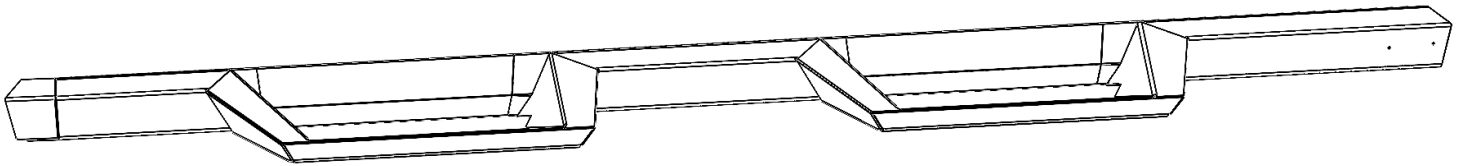
PART NUMBER:

56-14235, 56-142352, 56-14225, 56-142252

ITEM	QUANTITY	DESCRIPTION	TOOLS NEEDED
1	2	HDX DROP STEP ASSEMBLY (1 DRIVER, 1 PASSENGER)	12MM SOCKET
2	2	FRONT MOUNTING BRACKET	12MM WRENCH
3	4/6	CENTER/REAR MOUNTING BRACKETS (4 FOR CREW MAX, 6 FOR DOUBLE CAB)	13MM SOCKET
4	2	CREW MAX REAR MOUNTING BRACKET (CREW MAX APPLICATION ONLY)	13MM WRENCH
5	16	SHORT M8 HEX HEAD BOLT	RATCHET
6	16	LONG M8 HEX HEAD BOLT	TORQUE WRENCH
7	32	M8 SPLIT LOCK WASHER	ALLEN WRENCH
8	32	M8 FLAT WASHER	

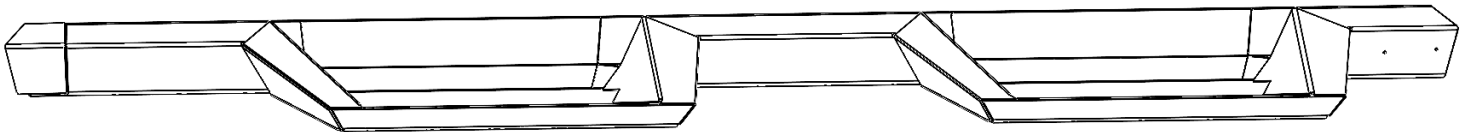
ANTI-SEIZE LUBRICANT MUST BE USED ON ALL STAINLESS STEEL FASTENERS TO PREVENT THREAD DAMAGE AND GALLING

ITEM 1 (Crew Max)



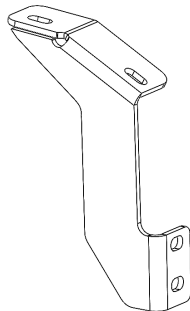
Passenger Side Opposite

ITEM 1 (Double Cab)

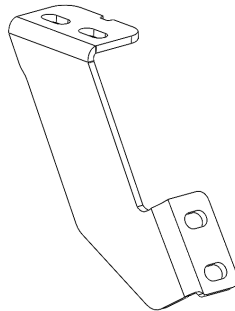


Passenger Side Opposite

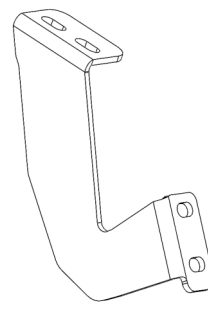
ITEM 2



ITEM 3

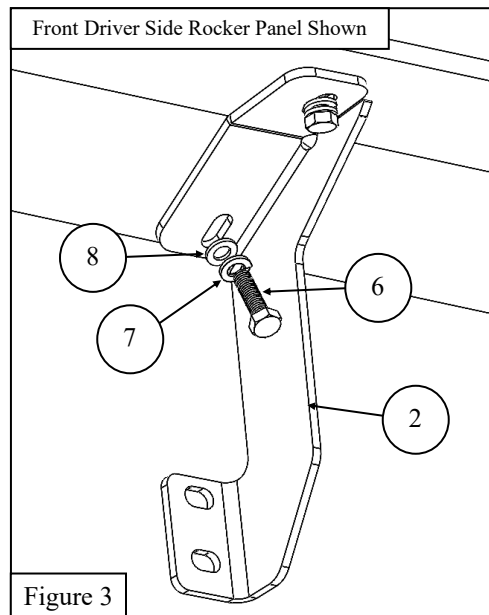
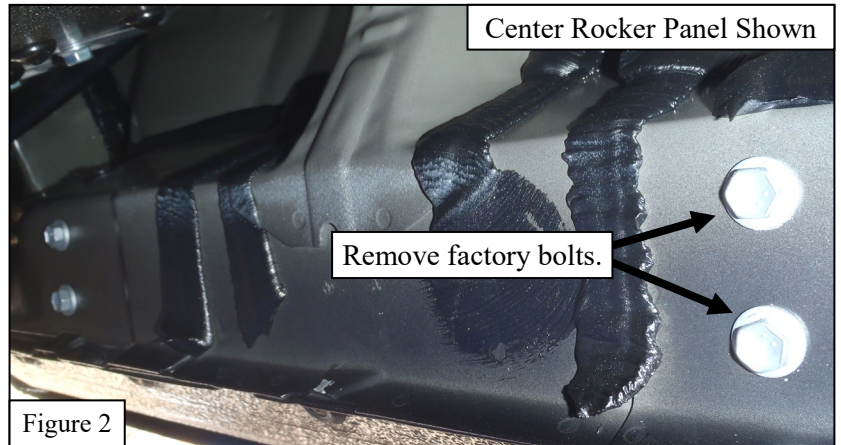
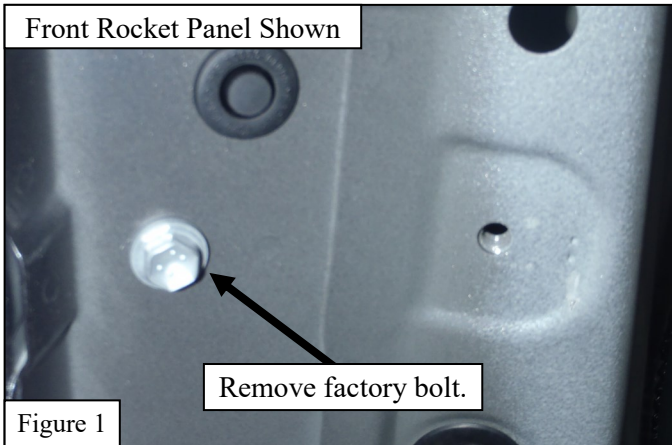


ITEM 4



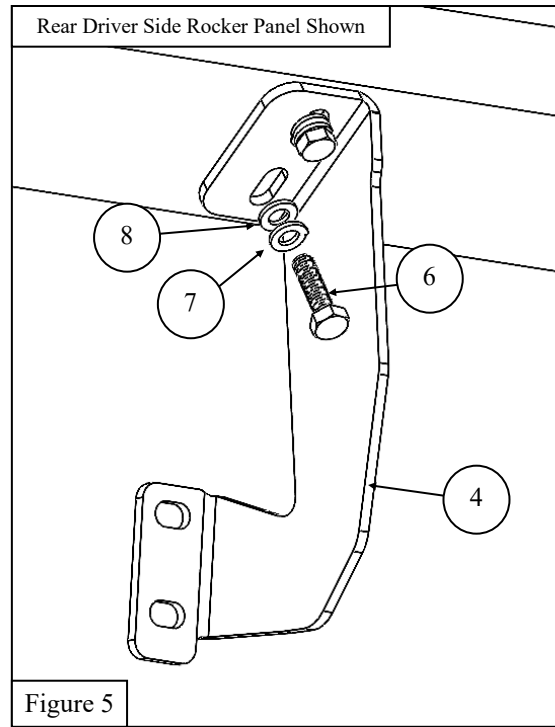
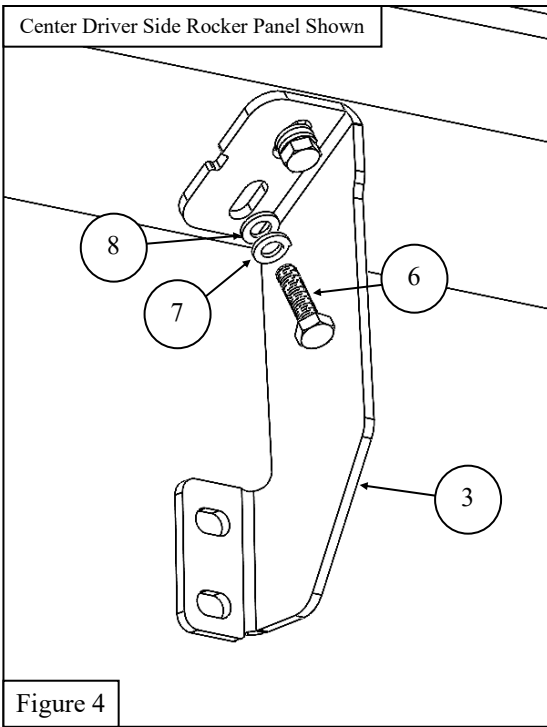
PROCEDURE

1. Remove contents from box, verify if all parts listed are present and free from damage. Carefully read and understand all instructions before attempting installation.
Failure to identify damage before installation could lead to a rejection of any claim.
2. Starting on the either side of the vehicle, locate the mounting locations with factory bolts preinstalled in them. Remove the factory bolts from the threaded holes. See **Figures 1 & 2** for reference. *Note: The factory bolts will not be reused.*
3. Locate (1) Front Mounting Bracket (Item 2) and loosely install it to the front mounting location on the rocker panel using the supplied M8 hardware (Items 6-8). See **Figure 3** for reference.



FOR CREW MAX APPLICATIONS

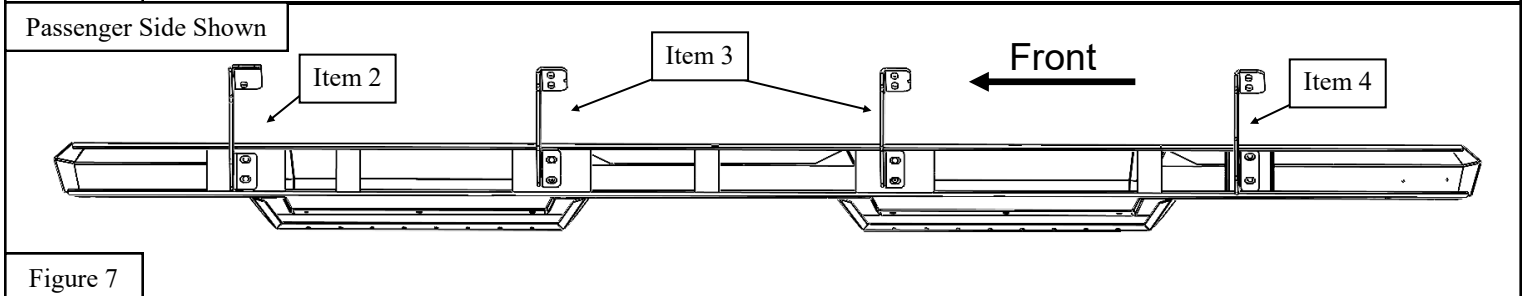
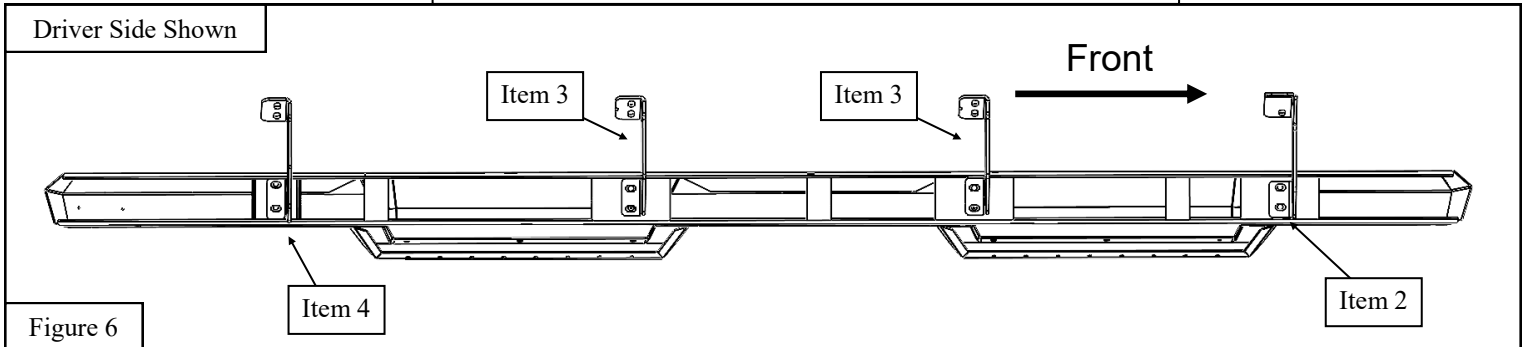
4. Locate (2) Center Mounting Brackets (Item 3) and loosely secure the brackets on the two center rocker panel mounting locations with the supplied M8 hardware (Items 6-8). See **Figure 4** for reference.
5. Locate (1) Rear Mounting Bracket (Item 4) and loosely secure the bracket on the rear rocker panel mounting locations with the supplied M8 hardware (Items 6-8). See **Figure 5** for reference.
6. Repeat **Steps 3 through 5** for the opposite side of the vehicle. *Note: See Figures 6 & 7 for the correct bracket orientation.*



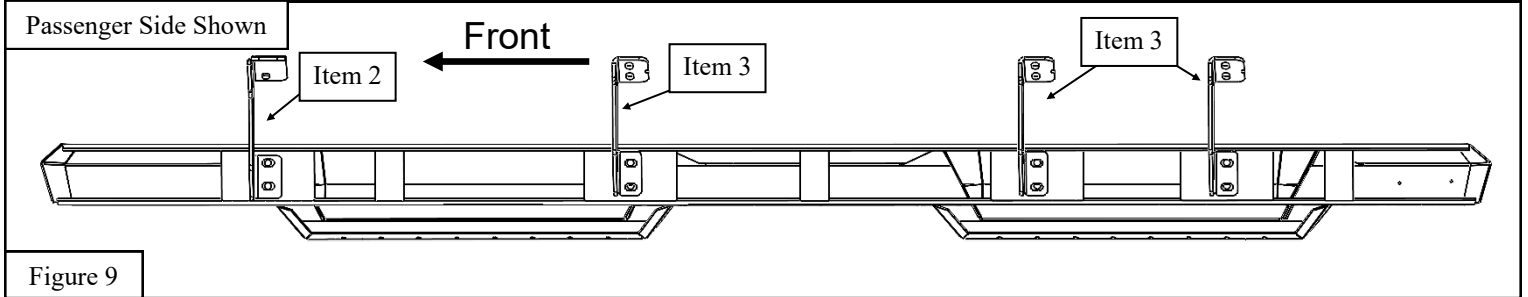
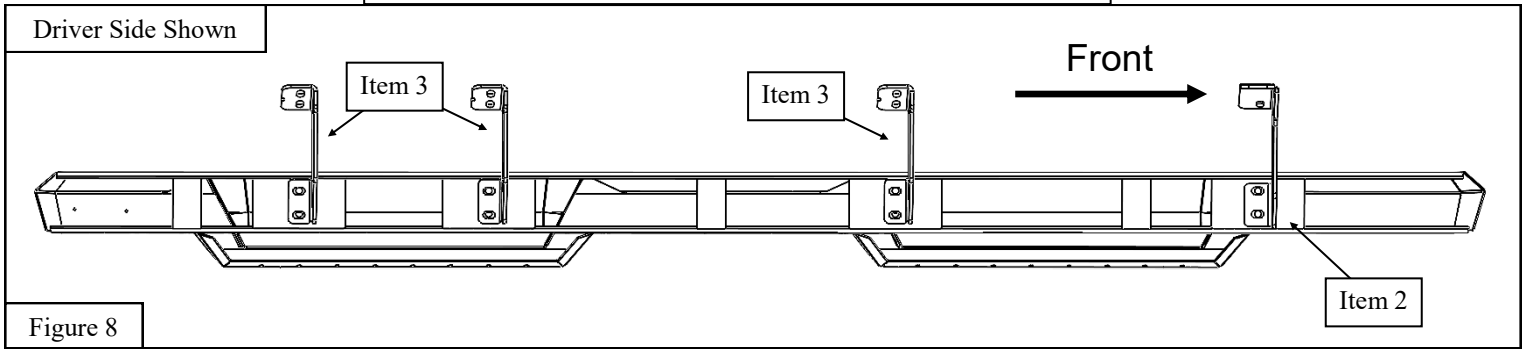
FOR DOUBLE CAB APPLICATIONS

6. Locate (3) Center/Rear Mounting Brackets (Item 3) and loosely secure the brackets on the two center rocker panel mounting locations and the rear mounting location with the supplied M8 hardware (Items 6-8). See **Figure 4** for reference.
7. Repeat **Steps 3 & 6** for the opposite side of the vehicle. *Note:* See **Figures 8 & 9** for the correct bracket orientation.

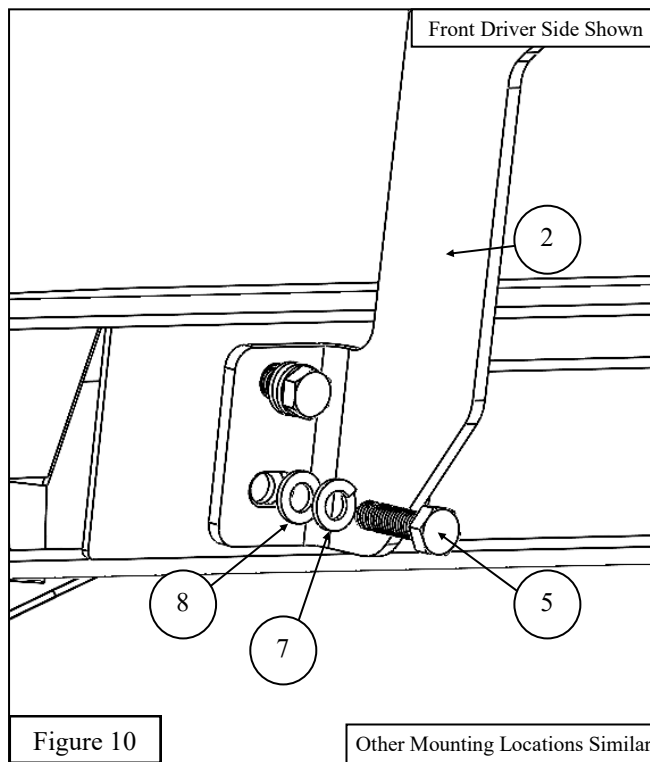
CREW MAX SHOWN (Figures 6 & 7)



DOUBLE CAB SHOWN (Figures 8 & 9)



8. Use the supplied M8 Hardware (Items 5, 7-8) to loosely secure the HDX Drop Step (Item 1) to the corresponding Mounting Brackets. See **Figure 10** for reference.
9. Align and adjust the HDX Drop Step Bars and Mounting Brackets as necessary. Tighten and torque all hardware as specified: M8 to 18 ft-lbs.



INSTALLATION COMPLETE



Crew Max Shown



Double Cab Shown

CARE INSTRUCTIONS

- REGULAR WAXING IS RECOMMENDED. DO NOT USE ANY TYPE OF POLISH OR WAX THAT MAY CONTAIN ABRASIVES.
- STAINLESS STEEL PRODUCTS CAN BE CLEANED WITH MILD SOAP AND WATER. STAINLESS STEEL POLISH SHOULD BE USED TO POLISH SMALL SCRATCHES.
- GLOSS BLACK FINISHES SHOULD BE CLEANED WITH MILD SOAP AND WATER.

WESTiN