

INSTALLATION INSTRUCTIONS



HDX DROP STEP

APPLICATION:

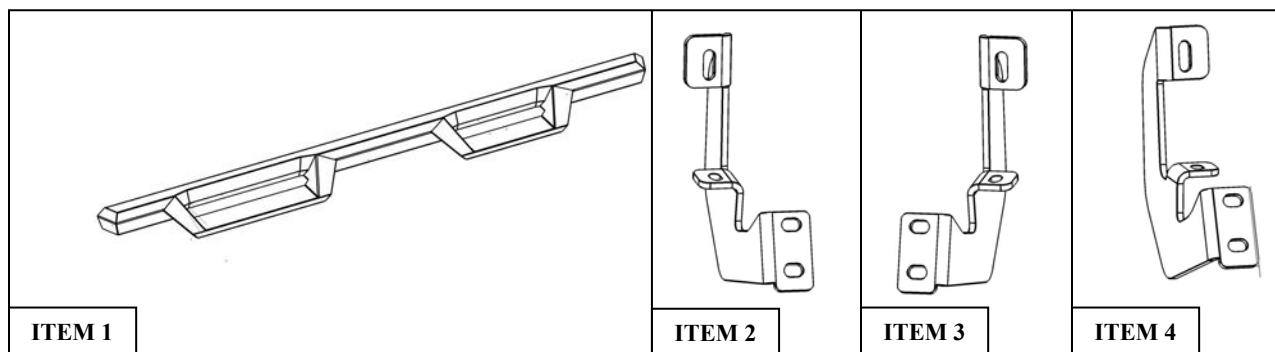
2019 Chevrolet Silverado / GMC Sierra 1500
Crew Cab / Double Cab (Excl. LD)

PART NUMBER:

56-14135, 56-14125, 56-141252

ITEM	QUANTITY	DESCRIPTION	TOOLS NEEDED
1	2	STEP BAR ASSEMBLY	RATCHET 1/4" & 3/8"
2,3	2	CENTER MOUNT BRACKET, DRIVER (2) AND PASSENGER (3)	TORQUE WRENCH
4	4	MOUNTING BRACKET	10MM SOCKET
5	12	M8 HEX HEAD BOLT LONG (YELLOW ZINC)	SOCKET EXT.
6	12	M8 HEX HEAD BOLT SHORT (YELLOW ZINC)	13MM SOCKET
7	24	M8 FLAT WASHER (YELLOW ZINC)	13MM WRENCH
8	24	M8 LOCK WASHER (YELLOW ZINC)	
9	12	M8 U-NUT CLIP (YELLOW ZINC)	

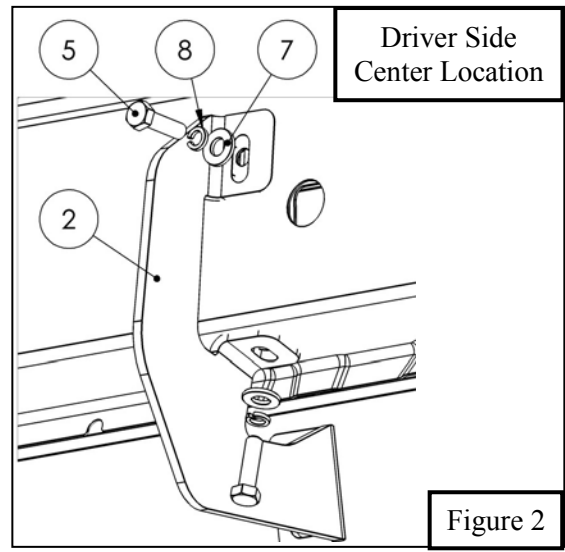
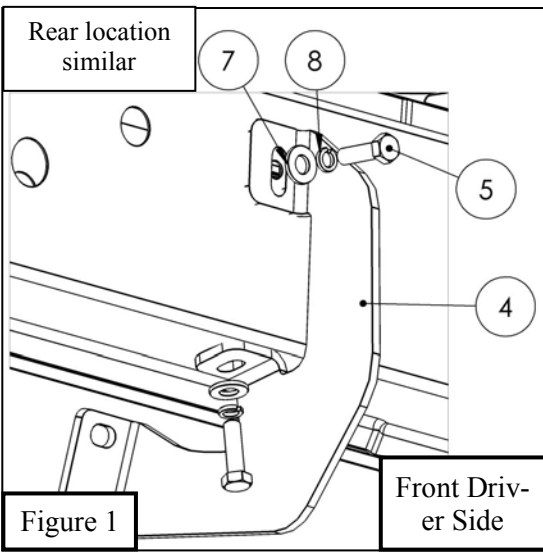
ANTI-SEIZE LUBRICANT MUST BE USED ON ALL STAINLESS STEEL FASTENERS TO PREVENT THREAD DAMAGE AND GALLING



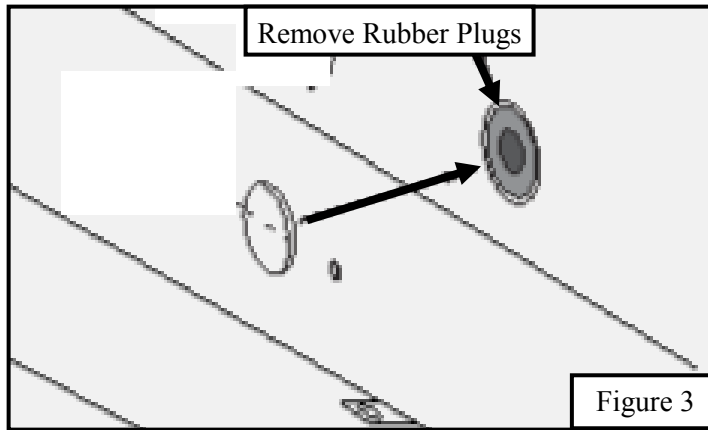
PROCEDURE

- Remove contents from box, verify if all parts listed are present and free from damage.
Carefully read and understand all instructions before attempting installation.
Failure to identify damage before installation could lead to a rejection of any claim.
- Locate the mount locations on the rocker panel of the vehicle. Remove the rubber plugs covering the threaded holes.
- Locate (1) Mounting Bracket (Item 4) and loosely secure it to the rocker panel using the provided hardware: (2) M8 hex head bolt long, (2) M8 flat washer, and (2) M8 lock washer. See **Figure 1**. (**Note:** If threaded holes are not on trucks rocker panel, remove the rubber plugs located on the rocker panel at each mounting location and insert nut clips.) See **Figure 3**.
- Repeat **Step 4** for every other bracket mounting location, see **Page 3** for bracket orientation and location.

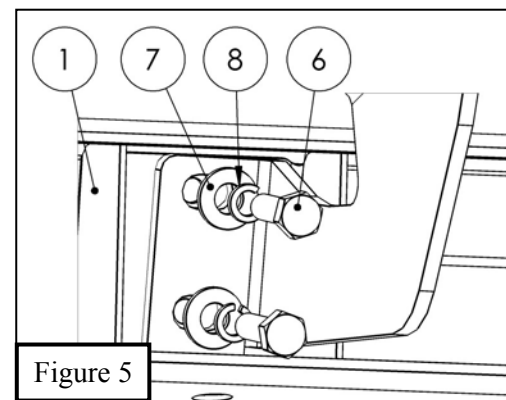
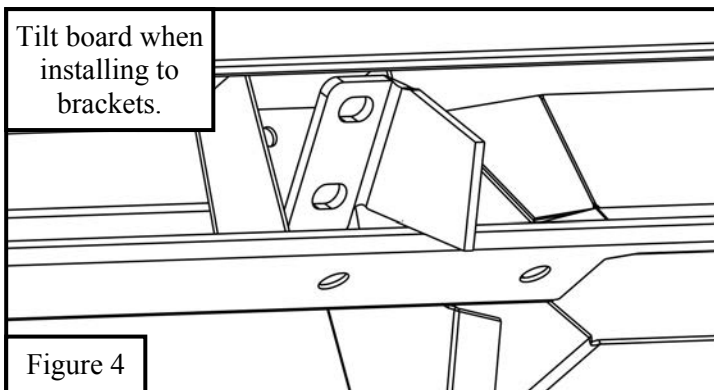




5. Locate (1) Center Mount Bracket (Item 2-3). Loosely secure Center Mount Bracket to the rocker panel using (2) M8 hex head bolt long, (2) M8 flat washer, and (2) M8 lock washer. See **Figure 2**. Refer to **Page 3** bracket orientation figures.

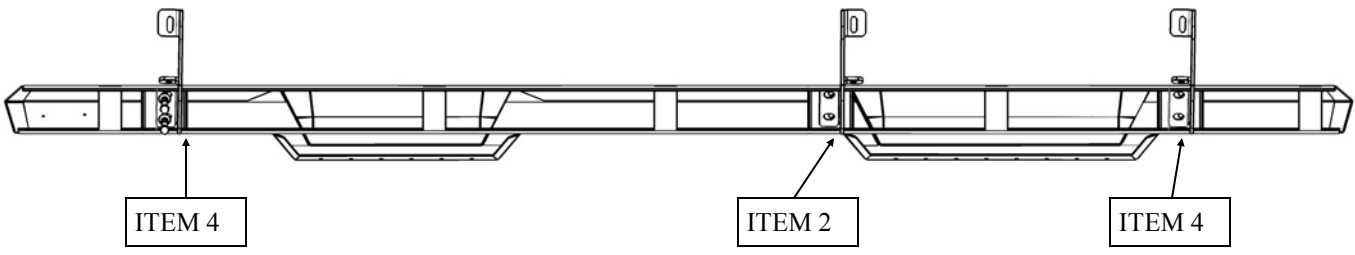


6. For Step Board installation, tilt board at an angle to insert brackets into mounting locations. With the previously installed mounting brackets use the supplied M8 hardware with the short M8 hex head bolt, then loosely install. See **Figures 4 & 5**.
7. Align and adjust the step bars and brackets as needed, then fully tighten all hardware: M8 to 15-18 ft-lbs.



Driver Side

Front →



INSTALLATION COMPLETE



Care Instructions

- REGULAR WAXING IS RECOMMENDED. DO NOT USE ANY TYPE OF POLISH OR WAX THAT MAY CONTAIN ABRASIVES.
- STAINLESS STEEL PRODUCTS CAN BE CLEANED WITH MILD SOAP AND WATER. STAINLESS STEEL POLISH SHOULD BE USED TO POLISH SMALL SCRATCHES.
- GLOSS BLACK FINISHES SHOULD BE CLEANED WITH MILD SOAP AND WATER.





WARNING



Failure to follow these instructions could lead to death, personal injury, and / or property damage.

Failure to follow these instructions could lead to death, personal injury, and / or property damage.

FASTENERS:

All Westin supplied fasteners must be utilized and installed in accordance with the installation instructions and apply torque to the specifications as defined. **DOUBLE CHECK ALL FASTENERS BEFORE INITIAL USE, AND PERIODICALLY IN THE FUTURE TO ENSURE PROPER FUNCTION AND SAFETY.**

DRILLING:

Most Westin products do not require drilling for installation. If drilling is defined as required, use caution when drilling a vehicle. **FAILURE TO REVIEW AN AREA TO BE DRILLED MAY RESULT IN PERSONAL INJURY AND/OR INJURY TO OTHERS AS WELL AS VEHICLE DAMAGE.**

EYE PROTECTION:

ALWAYS WEAR SAFETY GLASSES OR GOGGLES DURING THE INSTALLATION PROCESS TO AVOID PERSONAL INJURY.

MAXIMUM TOWING/CARRYING CAPACITY: (if applicable)

The Westin Receiver Hitches will have a visible tow rating label affixed directly on the product. User should never exceed the vehicle manufacturers maximum tow and weight rating regardless of the capacity of the hitch. **FAILURE TO FOLLOW THESE GUIDELINES WILL VOID THE WESTIN WARRANTY AND MAY RESULT IN PERSONAL INJURY AND/OR INJURY TO OTHERS AS WELL AS VEHICLE DAMAGE.**



Learn more about running boards and step bars we have.