



AUTOMOTIVE PRODUCTS,

INSTALLATION INSTRUCTIONS

HDX DROP STEP

APPLICATION:

2016-2018 Nissan Titan XD Crew Cab

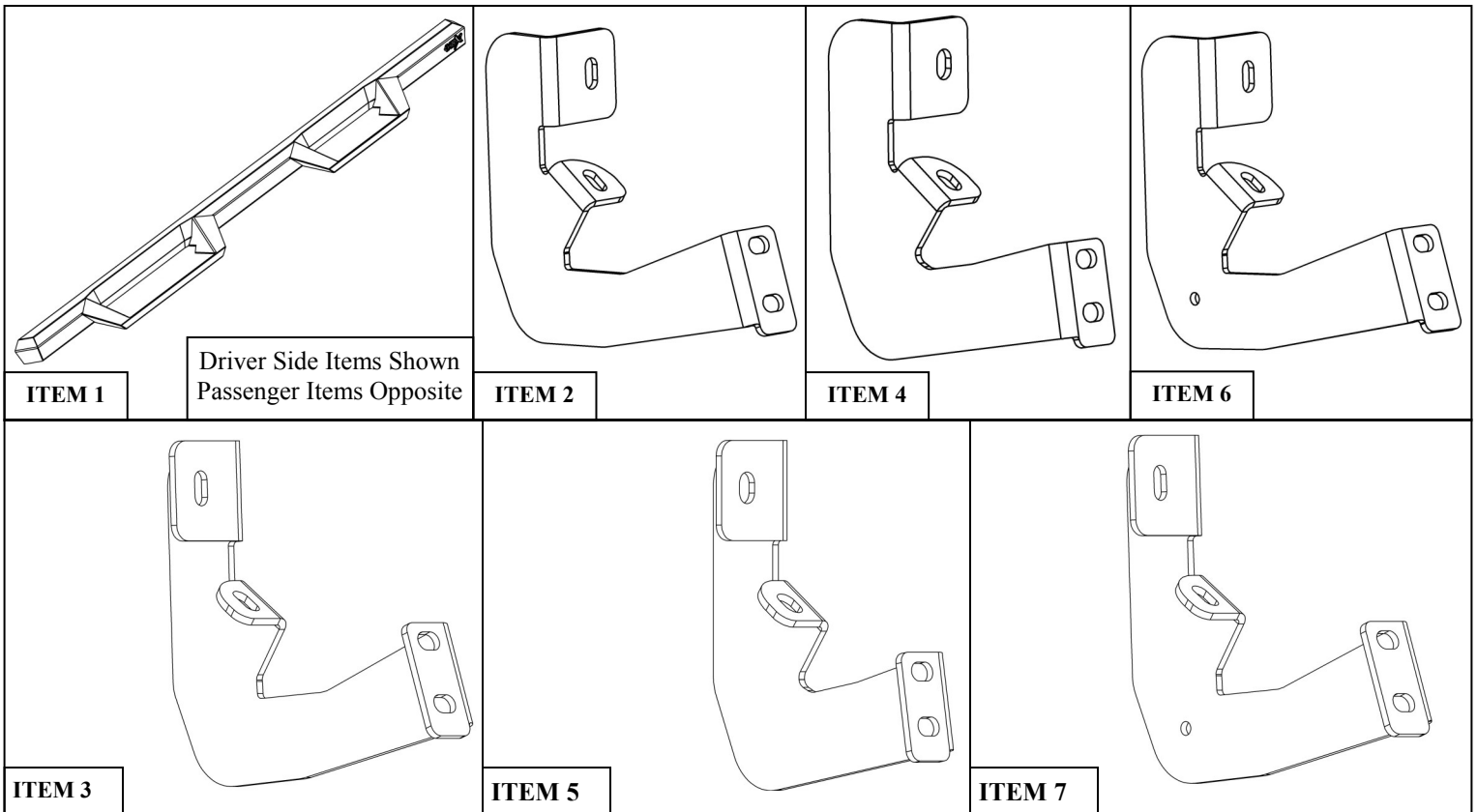
2017-2018 Nissan Titan Crew Cab

PART NUMBER:

56-14025, 56-140252

ITEM	QUANTITY	DESCRIPTION	TOOLS NEEDED
1	2	STEP BAR ASSEMBLY	RATCHET
2,3	2	FRONT MOUNT BRACKET, DRIVER(2) AND PASSENGER(3)	TORQUE WRENCH
4,5	2	CENTER MOUNT BRACKET, DRIVER(4) AND PASSENGER(5)	10MM SOCKET
6,7	2	REAR MOUNT BRACKET, DRIVER(6) AND PASSENGER(7)	13MM SOCKET
8	12	LONG M8 HEX HEAD CAP SCREW (YELLOW ZINC)	13MM WRENCH
9	12	SHORT M8 HEX HEAD CAP SCREW (YELLOW ZINC)	SOCKET EXT.
10	24	M8 SPLIT LOCK WASHER (YELLOW ZINC)	ALLEN WRENCH
11	24	M8 FLAT WASHER (YELLOW ZINC)	

ANTI-SEIZE LUBRICANT MUST BE USED ON ALL STAINLESS STEEL FASTENERS TO PREVENT THREAD DAMAGE AND GALLING

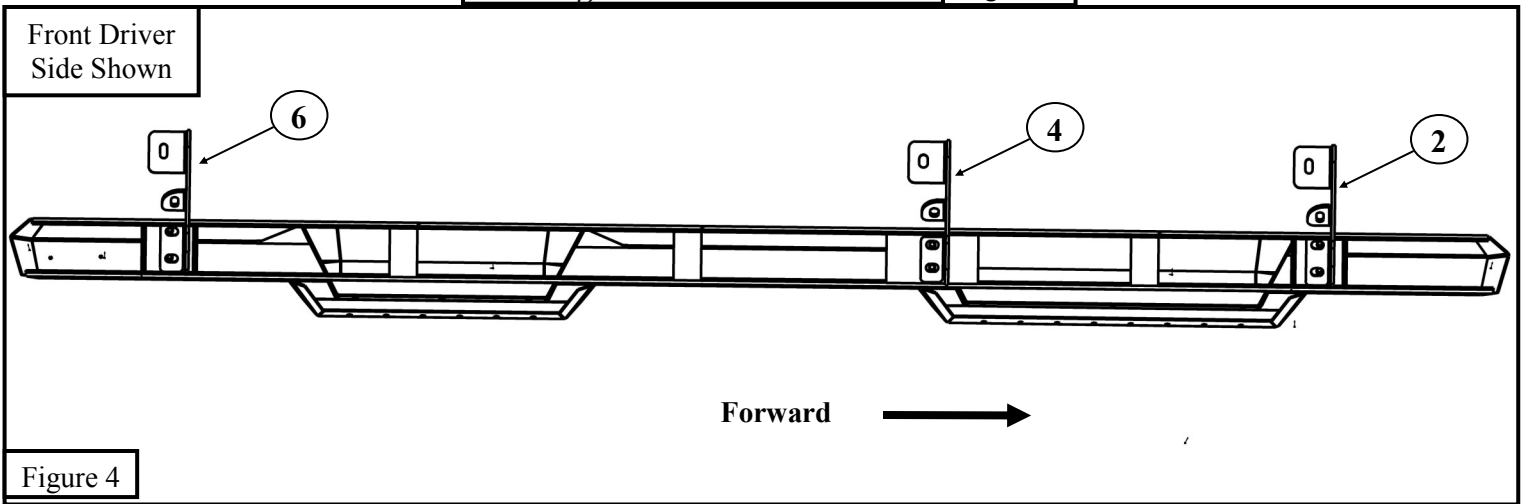
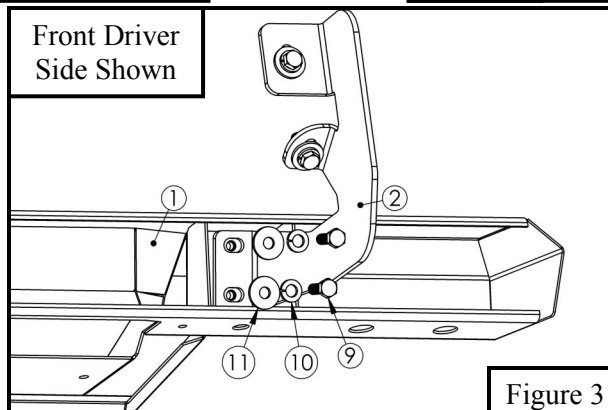
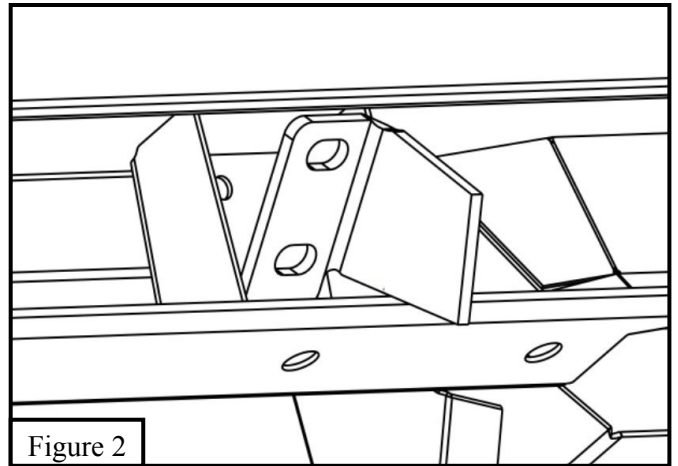
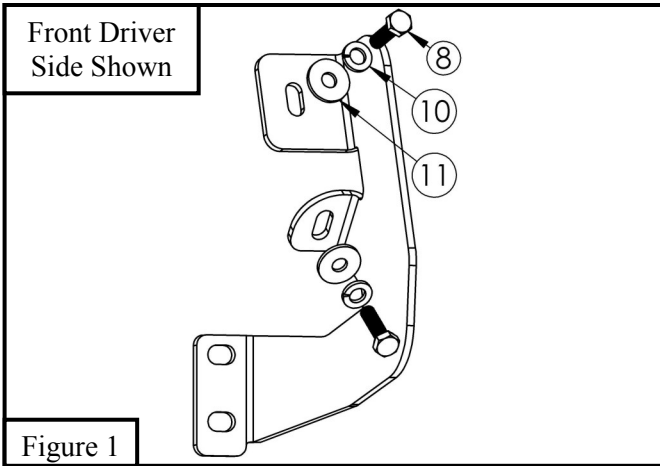


PROCEDURE

1. Remove contents from box, verify if all parts listed are present and free from damage.
Carefully read and understand all instructions before attempting installation.
Failure to identify damage before installation could lead to a rejection of any claim.



1. Starting on the driver side, locate each mounting location. On the rocker panel find locations with M8 threaded holes.
2. Then loosely install bracket onto rocker panel using (2) long M8 hex head cap screws, (2) M8 flat washers, and (2) M8 split lock washers. See **Figure 1**.
3. Repeat **Step 2** for every other bracket.
4. When installing brackets to step board, tilt at an angle. See **Figure 2**.
5. For step bar assembly installation to the previously installed mounting brackets using (2) short M8 hex head cap screws, (2) M8 flat washers, and (2) M8 split lock washers. When installing See **Figure 3**.
6. Align and adjust step bars and brackets as necessary, then fully tighten all M8 hardware to 20 ft-lbs.



INSTALLATION COMPLETE



Care Instructions

- REGULAR WAXING IS RECOMMENDED. DO NOT USE ANY TYPE OF POLISH OR WAX THAT MAY CONTAIN ABRASIVES.
- STAINLESS STEEL PRODUCTS CAN BE CLEANED WITH MILD SOAP AND WATER. STAINLESS STEEL POLISH SHOULD BE USED TO POLISH SMALL SCRATCHES.
- GLOSS BLACK FINISHES SHOULD BE CLEANED WITH MILD SOAP AND WATER.

Westin

SIGNATURE OF QUALITY

AUTOMOTIVE PRODUCTS, INC.



WARNING



Failure to follow these instructions could lead to death, personal injury, and / or property damage.

FASTENERS:

All Westin supplied fasteners must be utilized and installed in accordance with the installation instructions and apply torque to the specifications as defined. **DOUBLE CHECK ALL FASTENERS BEFORE INITIAL USE, AND PERIODICALLY IN THE FUTURE TO ENSURE PROPER FUNCTION AND SAFETY.**

DRILLING:

Most Westin products do not require drilling for installation. If drilling is defined as required, use caution when drilling a vehicle. **FAILURE TO REVIEW AN AREA TO BE DRILLED MAY RESULT IN PERSONAL INJURY AND/OR INJURY TO OTHERS AS WELL AS VEHICLE DAMAGE.**

EYE PROTECTION:

ALWAYS WEAR SAFETY GLASSES OR GOGGLES DURING THE INSTALLATION PROCESS TO AVOID PERSONAL INJURY.

MAXIMUM TOWING/CARRYING CAPACITY:

The Westin Receiver Hitches will have a visible tow rating label affixed directly on the product. User should never exceed the vehicle manufacturers maximum tow and weight rating regardless of the capacity of the hitch. **FAILURE TO FOLLOW THESE GUIDELINES WILL VOID THE WESTIN WARRANTY AND MAY RESULT IN PERSONAL INJURY AND/OR INJURY TO OTHERS AS WELL AS VEHICLE DAMAGE.**

Westin
SIGNATURE OF QUALITY

Learn more about running boards and step bars we have.