



INSTALLATION INSTRUCTIONS

HDX DROP STEP

APPLICATION:

2015-2016 Chevy Colorado / GM Canyon - Crew Cab / Ext. Cab

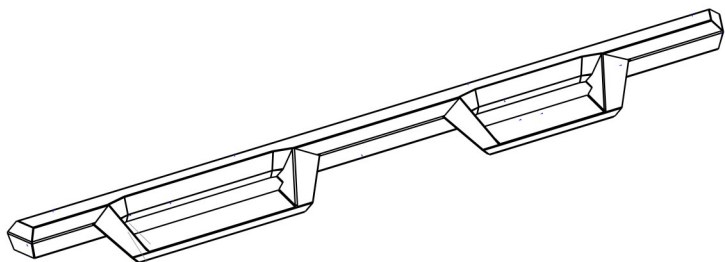
AUTOMOTIVE PRODUCTS,

PART NUMBER:

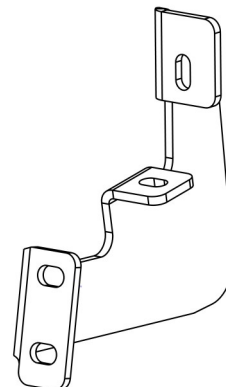
56-14005, 56-14015

CONTENT			
ITEM	QUANTITY	DESCRIPTION	TOOLS NEEDED
1	2	STEP BAR ASSEMBLY	RATCHET
2	6	MOUNTING BRACKET	TORQUE WRENCH
3	12	LONG M8 HEX HEAD BOLT (YELLOW ZINC)	SOCKET EXT.
4	24	M8 LOCK WASHER (YELLOW ZINC)	13MM SOCKET
5	24	M8 FLAT WASHER (YELLOW ZINC)	SOCKET EXT.
6	12	M8 U-NUT CLIP (YELLOW ZINC)	13MM WRENCH
7	12	SHORT M8 HEX HEAD BOLT (YELLOW ZINC)	

ANTI-SEIZE LUBRICANT MUST BE USED ON ALL STAINLESS STEEL FASTENERS TO PREVENT THREAD DAMAGE AND GALLING



ITEM 1



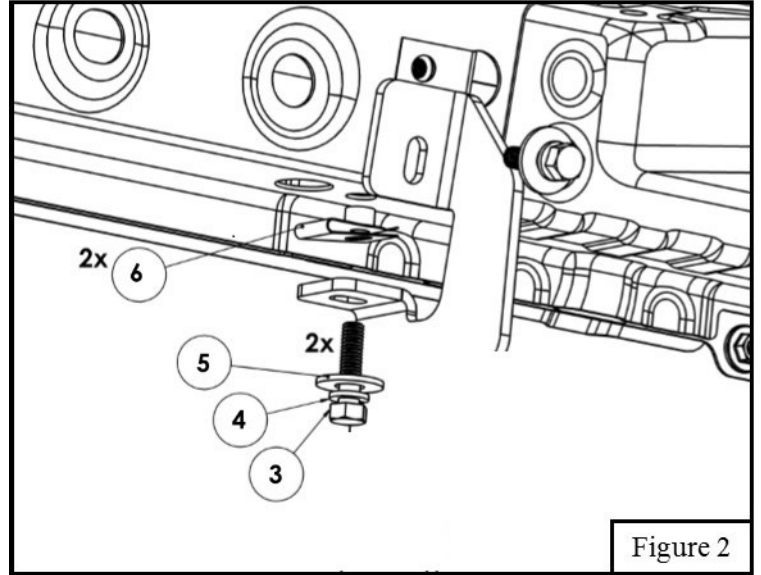
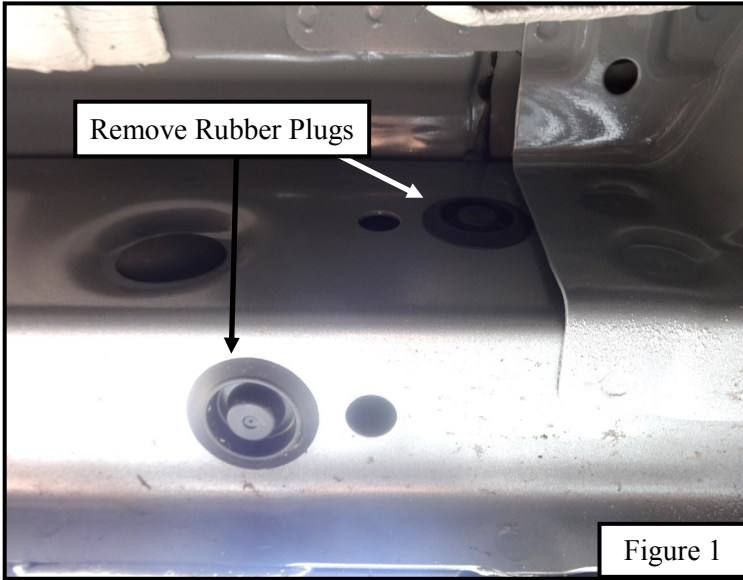
ITEM 2

PROCEDURE

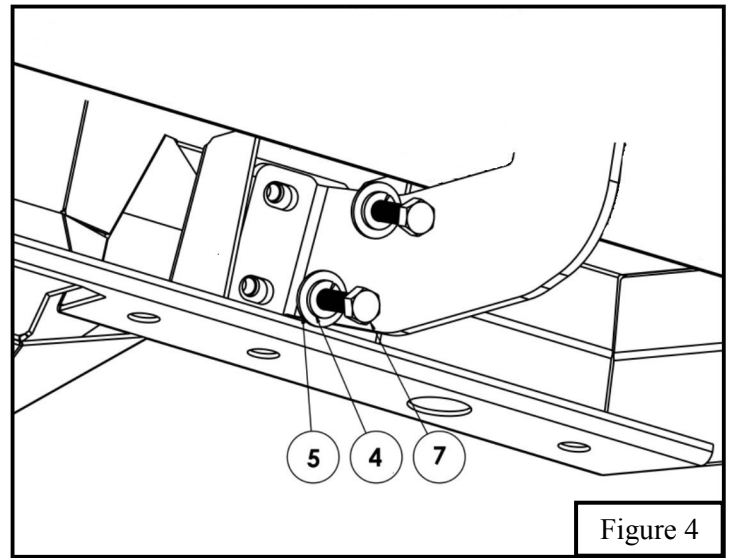
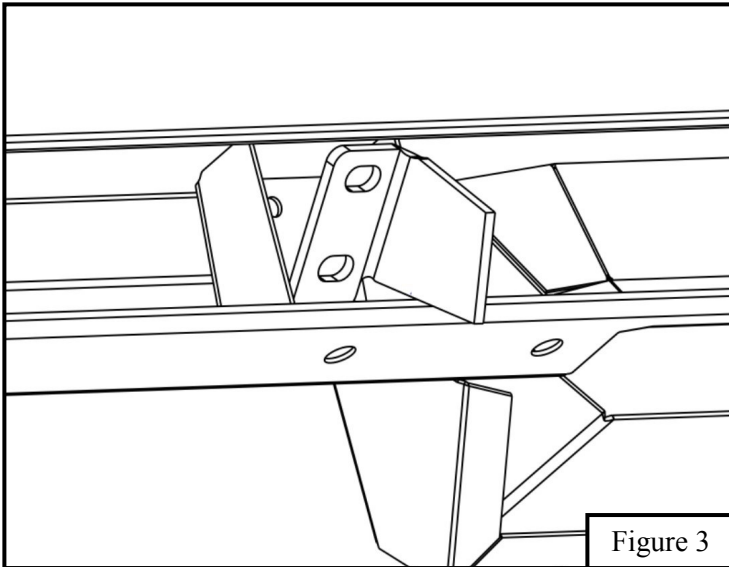
1. Remove contents from box, verify if all parts listed are present and free from damage.
Carefully read and understand all instructions before attempting installation.
Failure to identify damage before installation could lead to a rejection of any claim.



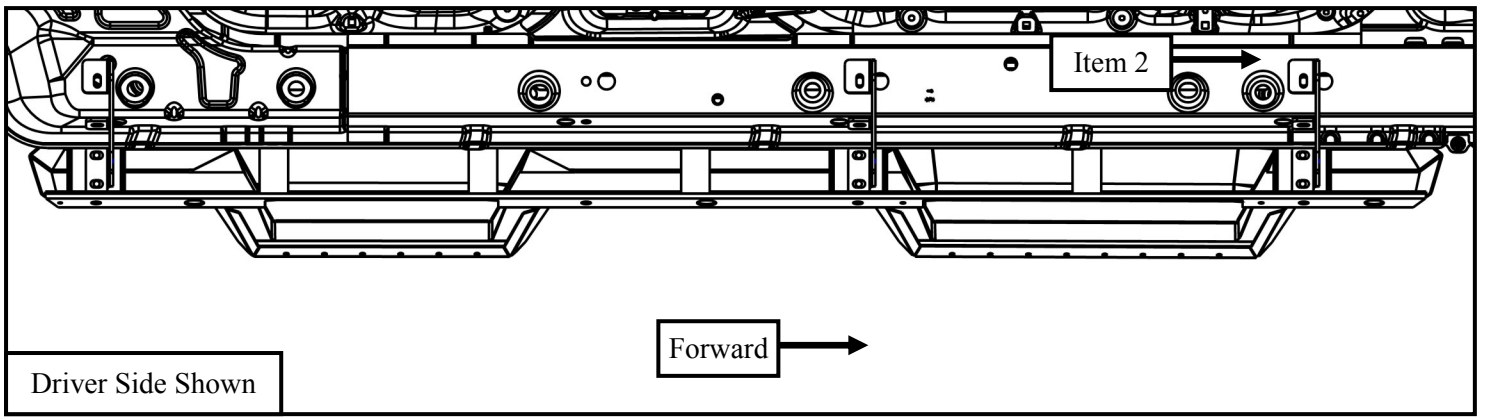
1. Remove the rubber plugs located on the rocker panel at each bracket mounting location. **See Figure 1.**
2. Locate (1) Mounting Bracket (Item 2) and loosely secure it to the rocker panel using the provided hardware: (2) Long M8 hex head bolt, (2) M8 flat washer, (2) M8 lock washer, and (2) M8 u-nut clip. **See Figure 2.**
3. Repeat **Step 2** for every other bracket mounting location. (**See Page 3 For Bracket Orientation**)



4. When installing bar to brackets be sure to tilt downward to fit brackets into mounting locations. **See Figure 3.**
5. For Step Board installation to the previously installed mounting brackets use the supplied short M8 bolts and M8 hardware. Loosely install with M8 hardware. **See Figure 4.**



5. Align step bar and brackets to desired positioning then torque and tighten all: M8 hardware to 20 ft-lbs.



Care Instructions

- REGULAR WAXING IS RECOMMENDED. DO NOT USE ANY TYPE OF POLISH OR WAX THAT MAY CONTAIN ABRASIVES.
- STAINLESS STEEL PRODUCTS CAN BE CLEANED WITH MILD SOAP AND WATER. STAINLESS STEEL POLISH SHOULD BE USED TO POLISH SMALL SCRATCHES..
- GLOSS BLACK FINISHES SHOULD BE CLEANED WITH MILD SOAP AND WATER.

Westin

SIGNATURE OF QUALITY

AUTOMOTIVE PRODUCTS, INC.



WARNING



Failure to follow these instructions could lead to death, personal injury, and / or property damage.

FASTENERS:

All Westin supplied fasteners must be utilized and installed in accordance with the installation instructions and apply torque to the specifications as defined. **DOUBLE CHECK ALL FASTENERS BEFORE INITIAL USE, AND PERIODICALLY IN THE FUTURE TO ENSURE PROPER FUNCTION AND SAFETY.**

DRILLING:

Most Westin products do not require drilling for installation. If drilling is defined as required, use caution when drilling a vehicle. **FAILURE TO REVIEW AN AREA TO BE DRILLED MAY RESULT IN PERSONAL INJURY AND/OR INJURY TO OTHERS AS WELL AS VEHICLE DAMAGE.**

EYE PROTECTION:

ALWAYS WEAR SAFETY GLASSES OR GOGGLES DURING THE INSTALLATION PROCESS TO AVOID PERSONAL INJURY.

MAXIMUM TOWING/CARRYING CAPACITY:

The Westin Receiver Hitches will have a visible tow rating label affixed directly on the product. User should never exceed the vehicle manufacturers maximum tow and weight rating regardless of the capacity of the hitch. **FAILURE TO FOLLOW THESE GUIDELINES WILL VOID THE WESTIN WARRANTY AND MAY RESULT IN PERSONAL INJURY AND/OR INJURY TO OTHERS AS WELL AS VEHICLE DAMAGE.**

Learn more about running boards and step bars we have.