



# INSTALLATION INSTRUCTIONS

HDX Drop Step

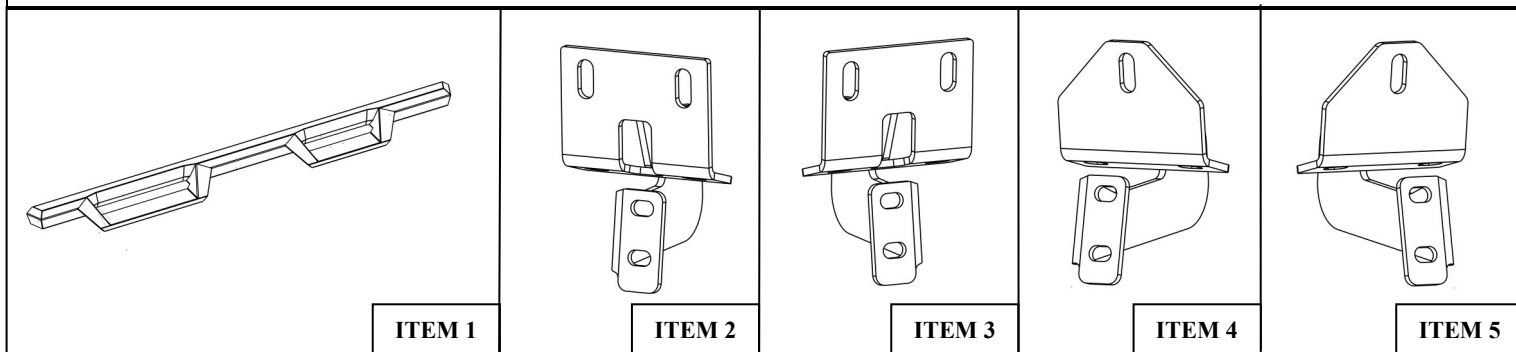
**APPLICATION:**  
2009-2014 Ford F150 Super Crew

AUTOMOTIVE PRODUCTS,

**PART NUMBER:**  
56-13525

CONTENT			
ITEM	QUANTITY	DESCRIPTION	TOOLS NEEDED
1	2	STEP BAR ASSEMBLY	RATCHET
2	2	DRIVER SIDE MOUNTING BRACKET	TORQUE WRENCH
3	2	PASSENGER SIDE MOUNTING BRACKET	13MM WRENCH
4	1	DRIVER SIDE CENTER MOUNTING BRACKET	13MM SOCKET
5	1	PASSENGER SIDE CENTER MOUNTING BRACKET	13MM DEEP SOCKET
6	10	M8 U NUT-CLIP (YELLOW ZINC)	SOCKET EXT.
7	12	M8 BUTTON HEAD CAP SCREW (BLACK ZINC)	ALLEN WRENCH
8	24	M8 FLAT WASHER (BLACK ZINC)	
9	12	M8 SPLIT LOCK WASHER (BLACK ZINC)	
10	12	M8 HEX NUT (BLACK ZINC)	
11	10	LONG M8 HEX HEAD CAP SCREW (YELLOW ZINC)	
12	22	M8 SPLIT LOCK WASHER (YELLOW ZINC)	
13	22	M8 FLAT WASHER (YELLOW ZINC)	
14	12	SHORT M8 HEX HEAD CAP SCREW (YELLOW ZINC)	

**ANTI-SEIZE LUBRICANT MUST BE USED ON ALL STAINLESS STEEL FASTENERS TO PREVENT THREAD DAMAGE AND GALLING**

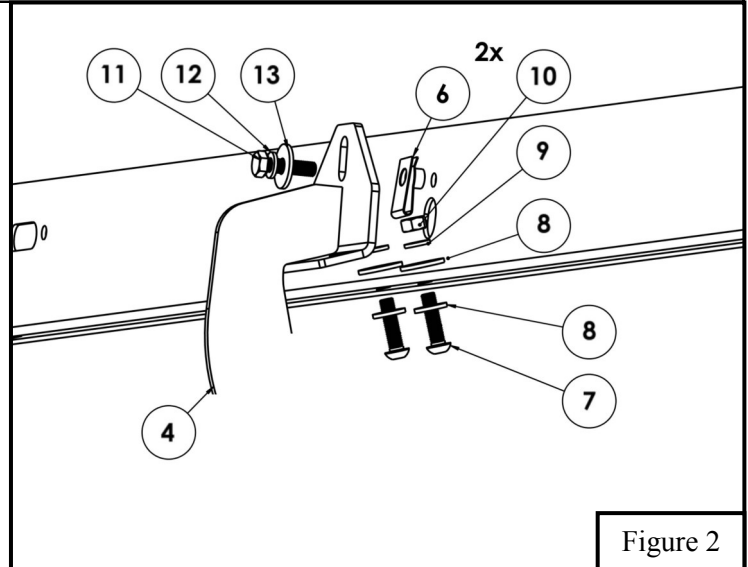
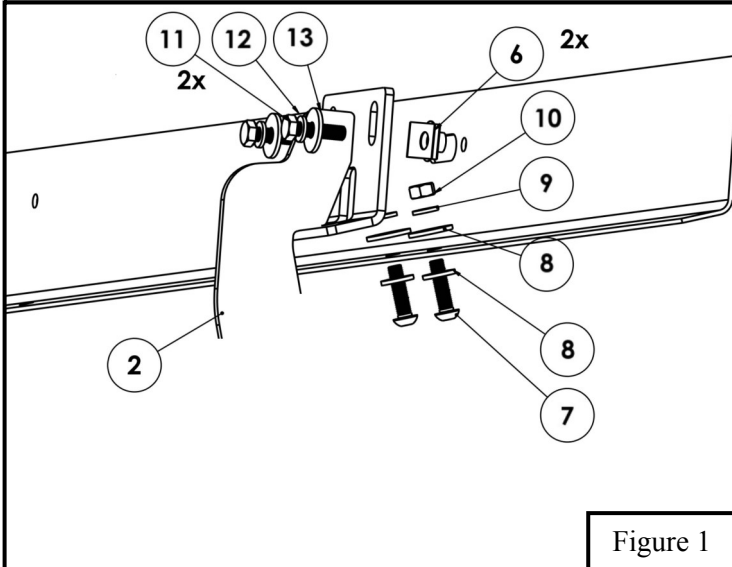


## PROCEDURE

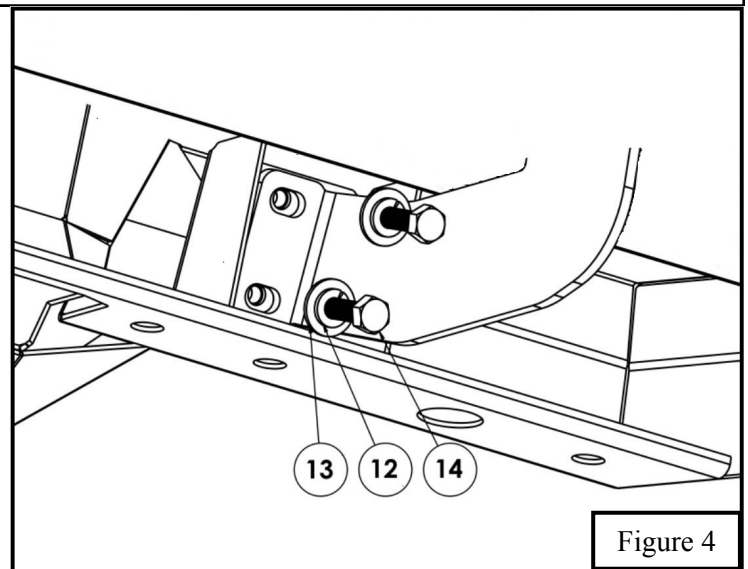
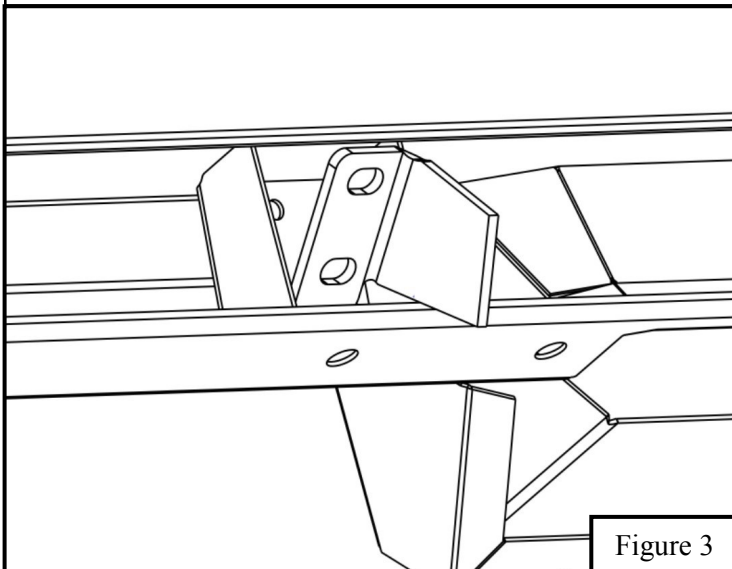
1. Remove contents from box, verify if all parts listed are present and free from damage.  
Carefully read and understand all instructions before attempting installation.  
**Failure to identify damage before installation could lead to a rejection of any claim.**



2. Start installation on driver's side. Remove factory tape covering holes on the rocker panel. These holes will be where the M8 nut clips (Item 6) will be installed. **See Figure 1 and 2**
3. Hold up mounting bracket (Item 2) and loosely install (2) M8 hex head cap screw (Item 11), (2) M8 lock washer (Item 12), and (2) M8 flat washer (Item 13) into previously installed M8 nut clips. Then loosely install M8 hardware to mounting bracket and holes in the pinch weld; (1) M8 hex nut (item 10), (2) lock washer (Item 9), (2) M8 flat washers (Item 8), and (2) M8 button head cap screw (Item 7). Similar installation for center mounting bracket. **See Figure 1 and 2.** (Note: See page 3 for bracket orientation)
4. Repeat steps 2-3 for all other mounting locations.



5. When installing board to bracket, tilt the board downward to insert into center mounting location. **See Figure 3.**
6. For Step Board installation to the previously installed mounting brackets use the supplied short M8 bolts and M8 hardware, then loosely install. **See Figure 4 and 5.**
7. Align step bar and brackets to desired positioning then torque and tighten all: M8 hardware to 20 ft-lbs.



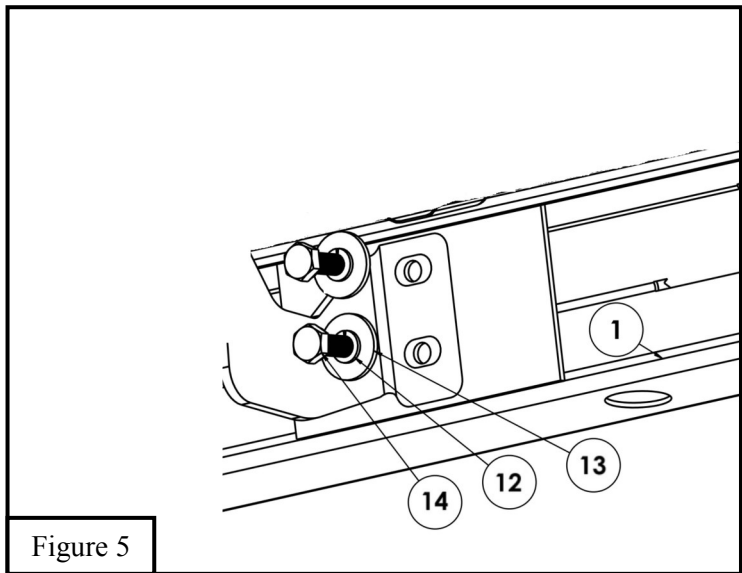
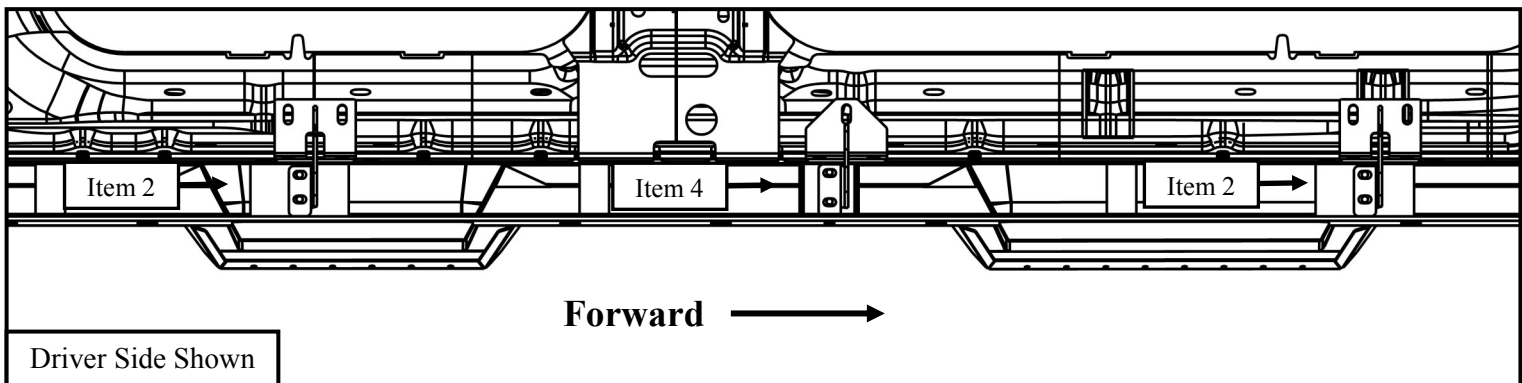


Figure 5



## INSTALLATION COMPLETED



### Care Instructions

- REGULAR WAXING IS RECOMMENDED. DO NOT USE ANY TYPE OF POLISH OR WAX THAT MAY CONTAIN ABRASIVES.
- STAINLESS STEEL PRODUCTS CAN BE CLEANED WITH MILD SOAP AND WATER. STAINLESS STEEL POLISH SHOULD BE USED TO POLISH SMALL SCRATCHES.
- GLOSS BLACK FINISHES SHOULD BE CLEANED WITH MILD SOAP AND WATER.

# Westin

SIGNATURE OF QUALITY

AUTOMOTIVE PRODUCTS, INC.



## WARNING



Failure to follow these instructions could lead to death, personal injury, and / or property damage.

### FASTENERS:

All Westin supplied fasteners must be utilized and installed in accordance with the installation instructions and apply torque to the specifications as defined. **DOUBLE CHECK ALL FASTENERS BEFORE INITIAL USE, AND PERIODICALLY IN THE FUTURE TO ENSURE PROPER FUNCTION AND SAFETY.**

### DRILLING:

Most Westin products do not require drilling for installation. If drilling is defined as required, use caution when drilling a vehicle. **FAILURE TO REVIEW AN AREA TO BE DRILLED MAY RESULT IN PERSONAL INJURY AND/OR INJURY TO OTHERS AS WELL AS VEHICLE DAMAGE.**

### EYE PROTECTION:

**ALWAYS WEAR SAFETY GLASSES OR GOGGLES DURING THE INSTALLATION PROCESS TO AVOID PERSONAL INJURY.**

### MAXIMUM TOWING/CARRYING CAPACITY:

The Westin Receiver Hitches will have a visible tow rating label affixed directly on the product. User should never exceed the vehicle manufacturers maximum tow and weight rating regardless of the capacity of the hitch. **FAILURE TO FOLLOW THESE GUIDELINES WILL VOID THE WESTIN WARRANTY AND MAY RESULT IN PERSONAL INJURY AND/OR INJURY TO OTHERS AS WELL AS VEHICLE DAMAGE.**

Westin  
SIGNATURE OF QUALITY

Learn more about running boards and step bars we have.