



SIGNATURE OF QUALITY

INSTRUCTIONS

APPLICATION: TOW HOOK FOR WESTIN MAX WINCH TRAY
APP PART # 46-3005

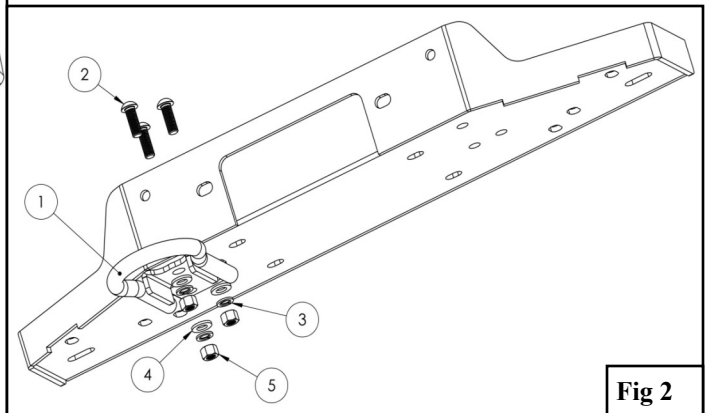
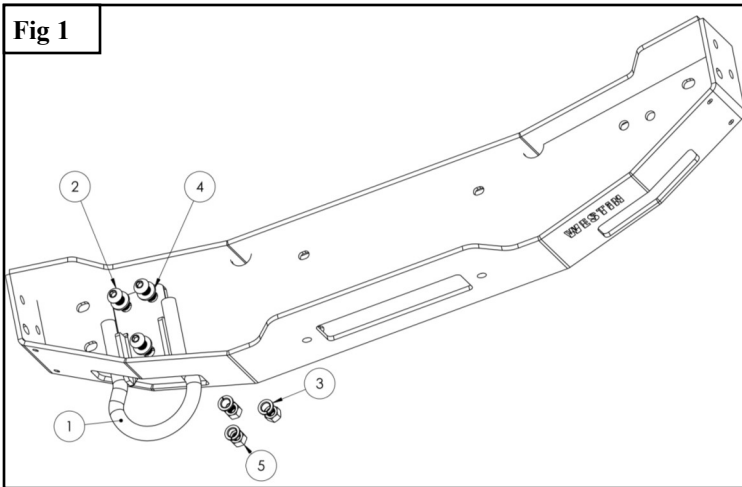
AUTOMOTIVE PRODUCTS, INC.

ITEM	QUANTITY	DESCRIPTION	TOOLS NEEDED
1	1	TOW HOOK	RATCHET
2	3	M12 BUTTON HEAD SCREW (STAINLESS)	18MM SOCKET
3	3	M12 LOCK WASHER (STAINLESS)	ALLEN WRENCH
4	3	M12 FLAT WASHER (STAINLESS)	
5	3	M12 HEX NUT (STAINLESS)	

ANTI-SEIZE LUBRICANT MUST BE USED ON ALL STAINLESS STEEL FASTENERS TO PREVENT THREAD DAMAGE AND GALLING

1. Remove contents from box, verify if all parts listed are present and free from damage. Carefully read and understand all instructions before attempting installation.
2. Install the winch tray per the winch tray instructions.
3. Determine if the tray does or does not have tow hook cut-outs. For applications with tow hook cut-outs refer to Figure 1 to install the tow hook. For applications without tow hook cut-outs refer to Figure 2 to install the tow hook.
4. Align and adjust the tow hook as desired. Tighten M12 hardware to 50-55 ft-lbs.
5. Install the winch per the winch manufacturer's instructions.

The tow hook is rated up to 12,000 lbs. straight line pull. Do not exceed this load capacity.



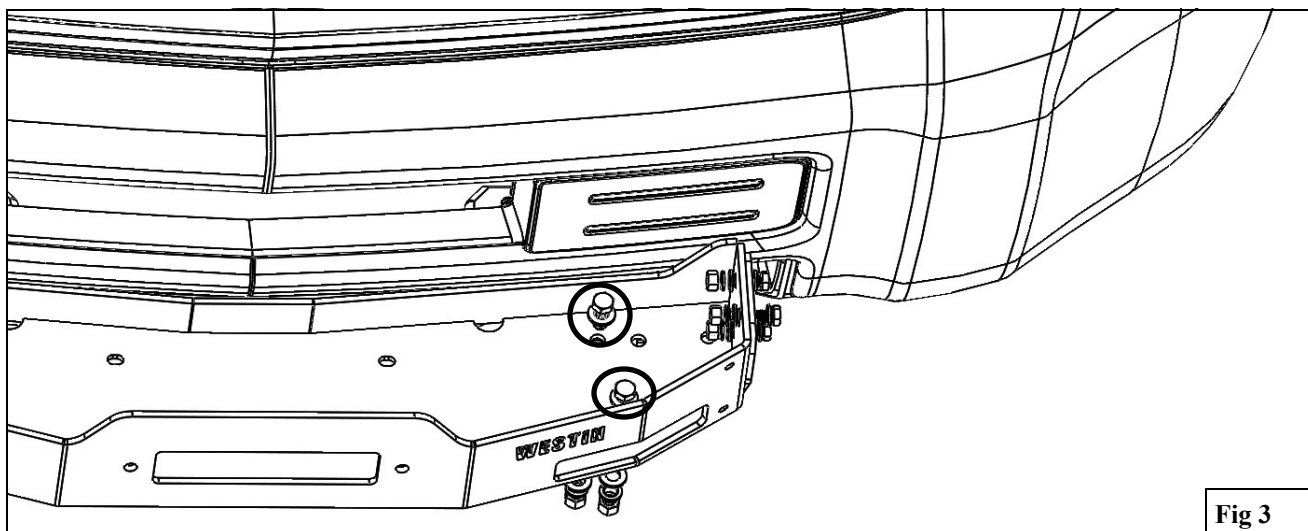
CARE INSTRUCTIONS:

- REGULAR WAXING IS RECOMMENDED. DO NOT USE ANY TYPE OF POLISH OR WAX THAT MAY CONTAIN ABRASIVES.
- STAINLESS STEEL PRODUCTS CAN BE CLEANED WITH MILD SOAP AND WATER. STAINLESS STEEL POLISH SHOULD BE USED TO POLISH SMALL SCRATCHES.
- GLOSS BLACK FINISHES SHOULD BE CLEANED WITH MILD SOAP AND WATER.



SIGNATURE OF QUALITY

Note: In some cases, the two winch tray bolts as shown in **Figure 3** will be reused to install a tow hook.



Note: In some other cases, the tow hook will also be installed with a winch tray mounting bracket, for this application, a relief cut has been made in the winch tray bracket for the nut. See **Figure 4**.

