

INSTALLATION INSTRUCTIONS

APPLICATION: SPORTSMAN GG WINCH TRAY KITS / MAX WINCH TRAY / 2015 & UP CHEVY
COLORADO & GMC CANYON
APP PART #40-93845, 45-93840, 46-23845

ITEM	QUANTITY	DESCRIPTION	TOOLS NEEDED
1	1	WINCH TRAY ASSEMBLY	RATCHET
2	1	DRIVER SIDE LOWER MOUNTING BRACKET	UTILITY KNIFE
3	1	PASSENGER SIDE LOWER MOUNTING BRACKET	18MM SOCKET
4	1	DRIVER SIDE UPPER SUPPORT BRACKET	15MM SOCKET
5	1	PASSENGER SIDE UPPER SUPPORT BRACKET	14MM SOCKET
6	1	DRIVER SIDE REINFORCEMENT BRACKET	ALLEN WRENCH
7	1	PASSENGER SIDE REINFORCEMENT BRACKET	TORQUE WRENCH
8	6	M12 HEX HEAD SCREW 100MM LONG (YELLOW ZINC)	PRY TOOL
9	6	M12 HEX NUT (YELLOW ZINC)	SOCKET EXTENS.
10	10	M12 FLAT WASHER 24MM OD (YELLOW ZINC)	
11	6	M12 SPLIT LOCK WASHER (YELLOW ZINC)	
12	2	M12 BUTTON HEAD SCREW (STAINLESS)	
13	2	M12 CUPPED WASHER (STAINLESS)	
14	4	M12 HEX HEAD SCREW 35MM LONG (BLACK ZINC)	
15	4	M12 FLAT WASHER 24MM OD (BLACK ZINC)	
16	6	M12 FLANGE NUT (BLACK ZINC)	
17	6	M10 FLANGE NUT (BLACK ZINC)	
18	4	M10 HEX HEAD FLANGE BOLT (BLACK ZINC)	
19	2	M12 FLAT WASHER 44MM OD (YELLOW ZINC)	
20	1	GRILLE GUARD ASSEMBLY - GG WINCH TRAY KITS ONLY	
21	6	M10 BUTTON HEAD SCREW (STAINLESS) - GG WINCH TRAY KITS ONLY	
22	6	M10 CUPPED WASHER (STAINLESS) - GG WINCH TRAY KITS ONLY	
23	6	M10 FLANGE NUT (STAINLESS) - GG WINCH TRAY KITS ONLY	

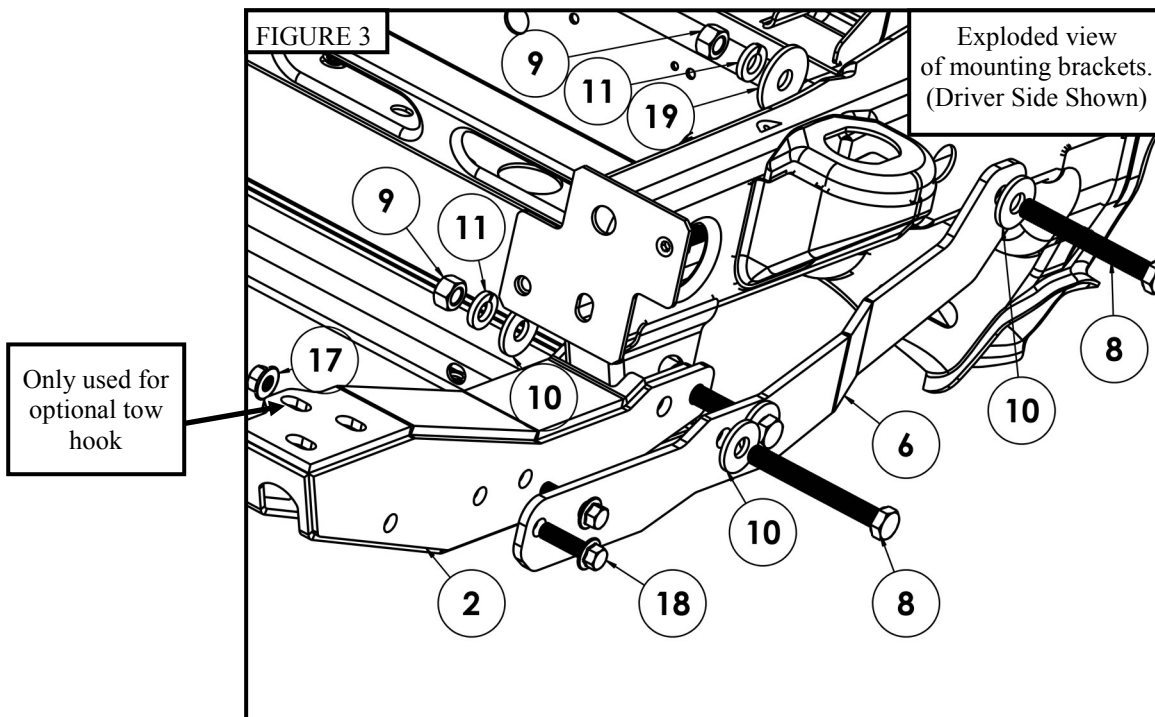
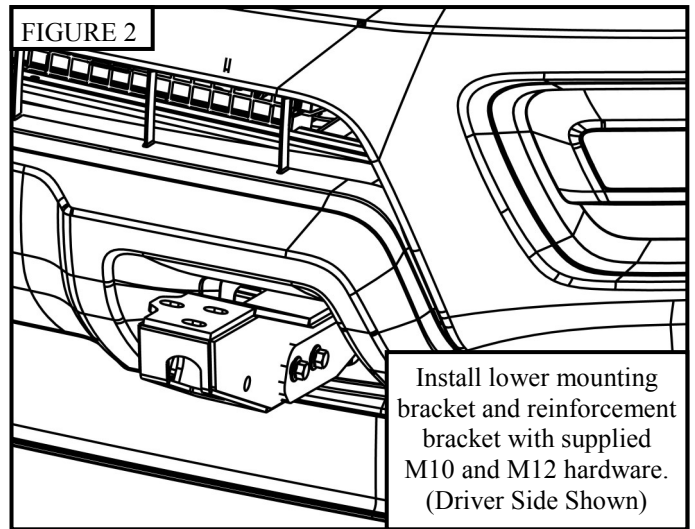
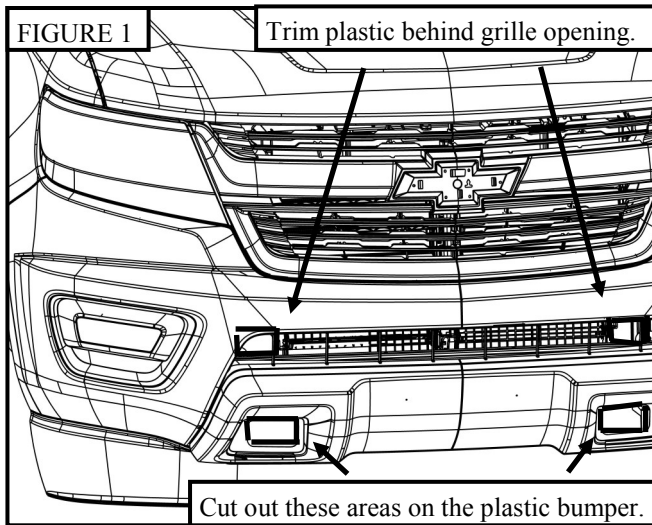
ANTI-SEIZE LUBRICANT MUST BE USED ON ALL STAINLESS STEEL FASTENERS TO PREVENT THREAD DAMAGE

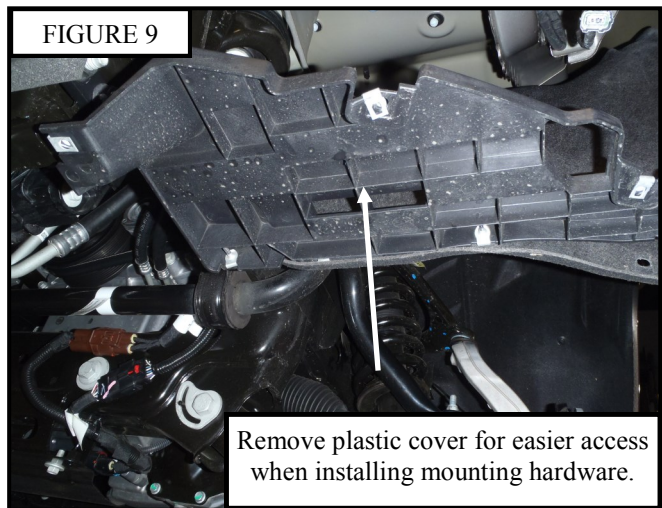
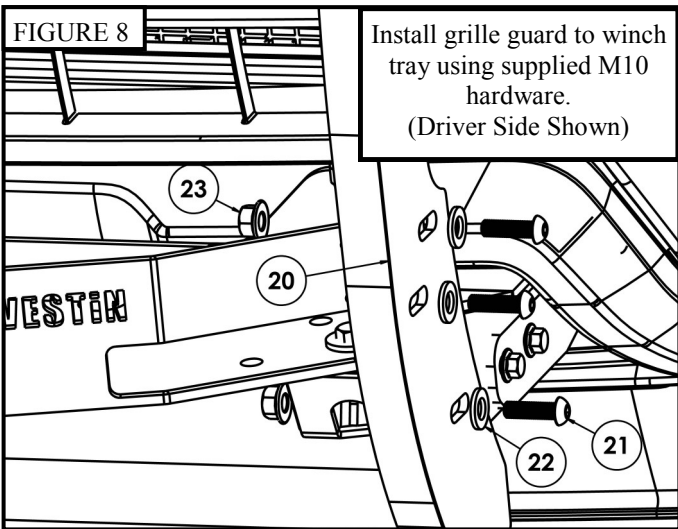
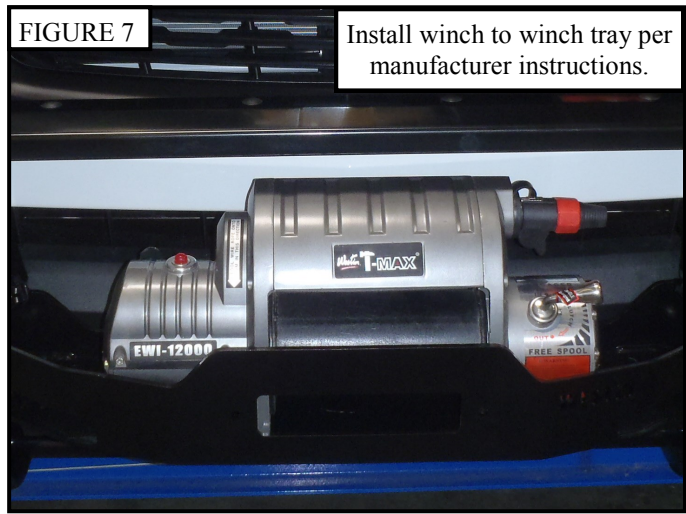
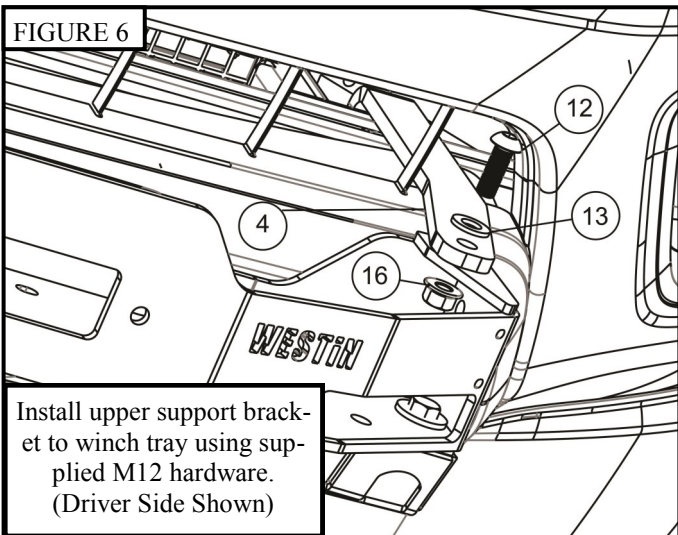
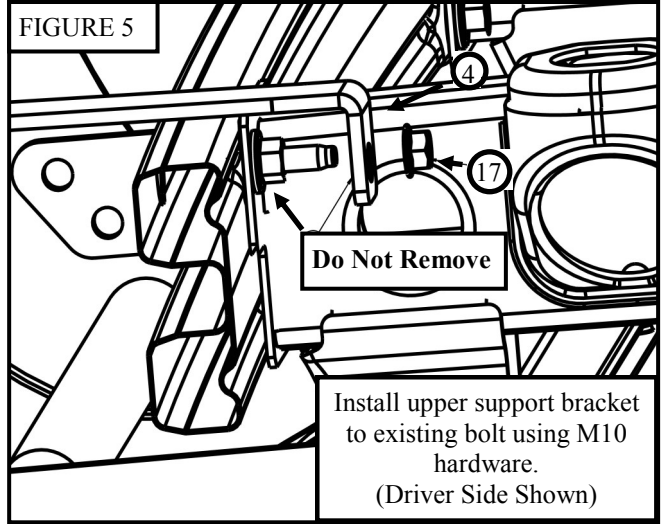
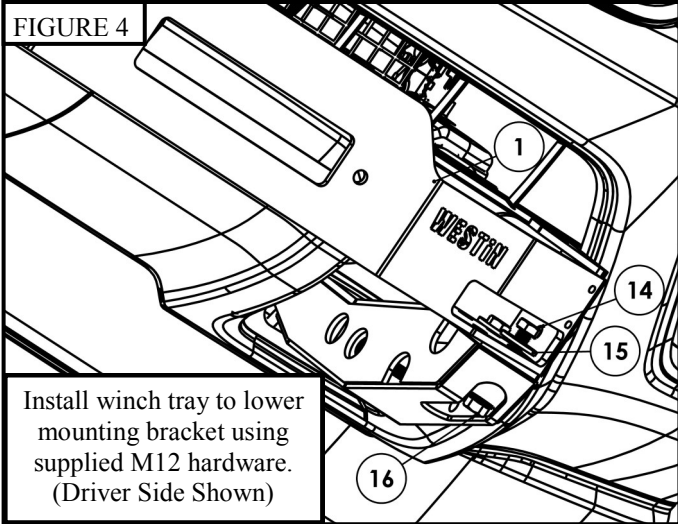
1. Remove contents from box, verify if all parts listed are present and undamaged. Carefully read and understand all instructions before attempting installation.
2. **For vehicles without factory tow hooks** trim plastic in the lower areas in Figure 1. Repeat for the passenger side.
3. **For vehicles with factory tow hooks** remove factory tow hooks and factory hardware they cannot be reused. Repeat for passenger side.
4. Loosely install the Lower Mounting Bracket and Reinforcement Bracket using the supplied M12 and M10 hardware as shown in Figure 2 and 3. Repeat for passenger side. (Note: For easier access remove plastic covers see Figure 9)
5. Loosely install Winch Tray Assembly to previously installed brackets with supplied M12 hardware, see Figure 4. Note: (2) M12 bolts used per side, 3rd bolt hole is for tow hook option, see Figure 3.

6. Trim plastic behind grille opening in Figure 1. Loosely install upper support brackets using supplied M10 hardware. When fastening upper support bracket to A-frame, set the bracket flush with the back of factory welded nut. (Note: Do not remove factory welded nut, see Figure 5)
7. Loosely install upper support bracket to previously installed winch tray with supplied M12 hardware, see Figure 6.
8. Align and adjust everything as necessary torque and tighten: M10 hardware to 30-35 ft-lbs., M12 hardware to 50-55 ft-lbs.
9. Install winch to winch tray per manufacturer instructions, see Figure 7.

FOR GRILLE GUARD INSTALLATION USE ONLY

10. Loosely install the Sportsman Grille Guard Assembly to previously installed winch tray with supplied M10 hardware, see Figure 8.
11. Align and adjust everything as necessary torque and tighten: M10 hardware to 30-35 ft-lbs.







Installation Complete With Grille Guard

CARE INSTRUCTIONS

- REGULAR WAXING IS RECOMMENDED. DO NOT USE ANY TYPE OF POLISH OR WAX THAT MAY CONTAIN ABRASIVES.
- STAINLESS STEEL PRODUCTS CAN BE CLEANED WITH MILD SOAP AND WATER. STAINLESS STEEL POLISH SHOULD BE USED TO POLISH SMALL SCRATCHES.
- GLOSS BLACK FINISHES SHOULD BE CLEANED WITH MILD SOAP AND WATER.



Thank you for choosing Westin products.