



AUTOMOTIVE PRODUCTS, INC.

INSTRUCTIONS

APPLICATION: 2007-2010 CHEVY/GMC SILVERADO/SIERRA 2500/3500 (EXCLUDES CLASSIC)

APP PART #46-23715, 40-92315/45-92310

MAX WINCH TRAY, SPORTSMAN WINCH MOUNTED GRILLE GUARD

ITEM	QUANTITY	DESCRIPTION	TOOLS NEEDED
1	1	WINCH TRAY	18MM WRENCH
2	2	FRAME MOUNTING BRACKETS	18MM SOCKET
3	2	CENTER MOUNTING BRACKETS	16MM WRENCH
4,5	2	INNER MOUNTING BRACKETS (4) DRIVERS SIDE, (5) PASSENGER SIDE	16MM SOCKET
6	24	M10 X 30MM HEX HEAD BOLTS	TORQUE WRENCH
7	48	M10 FLAT WASHERS	RATCHET
8	24	M10 LOCK WASHERS	ALLEN KEY (INCLUDED)
9	24	M10 HEX NUTS	
10	12	M12 X 35MM HEX HEAD BOLTS	
11	24	M12 FLAT WASHERS	
12	14	M12 LOCK WASHERS	
13	14	M12 HEX NUTS	
14	2	M12 LARGE FLAT WASHER	
15	2	M12 FLANGE HEX HEAD BOLT	
16	2	PLASTIC BOLT RETAINER	
17	2	M12 STUD PLATE	
18	1	GRILLE GUARD (INCLUDED WITH 40-92315/45-92310)	
19	8	M10 BUTTON HEAD BOLTS (INCLUDED SPORTSMAN WITH GRILLE GUARD)	
20	8	M10 FLAT WASHERS (INCLUDED SPORTSMAN WITH GRILLE GUARD)	
	NOTE	THERE IS EXTRA HARDWARE INCLUDED IN THIS KIT	

ANTI-SEIZE LUBRICANT MUST BE USED ON ALL STAINLESS STEEL FASTENERS TO PREVENT THREAD DAMAGE AND GALLING

1. Remove contents from box, verify if all parts listed are present and free from damage. Carefully read and understand all instructions before attempting installation.
2. Remove the factory tow hooks (if equipped). Note: the tow hooks will not be re installed with this application {Fig 1}.
3. Trim the plastic tow hook pockets with a utility knife so that the brackets can be slipped through and lined up with the frame as shown {Fig 2}. It is advised to slip all the brackets through the trimmed pockets before attaching them to the frame in order to minimize the amount of trimming required.
4. Starting from the passenger side attach the frame mounting bracket to the outside of the frame using (1) M12 hex head bolt (2) M12 flat washers, (1) M12 lock washer, and (1) M12 hex nut {Fig 3}. Locate the hole in the frame shown in {Fig 4} and attach the frame mounting bracket using (1) M12 stud plate. Retain the stud plate with (1) plastic retainer. Secure the bracket using (1) M12 flat washer, (1) M12 lock washer, and (1) M12 hex nut. Do not fully tighten at this time.
5. Locate the drivers side inner mounting bracket and attach it to the frame. Align the inner bracket with the two holes shown in the bottom of the frame {Fig 5}. Attach it to the rear hole using (1) M12 flange head bolt, (1) M12 flat washer, (1) M12 lock washer, and (1) M12 hex nut. Attach the inner bracket to the front hole using (1) M12 hex head bolt, (2) M12 flat washers (1) M12 lock washer, and (1) M12 hex nut. Do not fully tighten at this time {Fig 6}. Attach the inner bracket to the hole in the side of the frame using (1) M12 hex head bolt, (2) M12 flat washers, (1) M12 lock washer, and (1) M12 hex nut {Fig 3}. Do not fully tighten at this time.
6. Align the mounting holes in the frame mounting bracket and inner mounting bracket and attach them together using (3) M10 hex head bolts, (6) M10 flat washers, (3) M10 lock washers, and (3) M10 hex nuts. Do not fully tighten at this time {Fig 7}.
7. Take the center mounting bracket and place it between the frame mounting bracket and the inner mounting bracket. Attach the center mounting bracket using (6) M10 hex head bolts, (12) M10 flat washers, (6) M10 lock washers, and (6) M10 hex nuts. Do not fully tighten at this time {Fig 8}.



Thank You for choosing Westin products.

8. Repeat steps 4-7 for drivers side.
9. Locate the winch tray and place it on top of the previously installed mounting brackets, attach the winch tray to the frame mounting brackets using (6) M10 hex head bolts, (12) M10 flat washers, (6) M10 lock washers, and (6) M10 hex nuts. Attach the winch tray to the inner mounting brackets using (4) M12 hex head bolts, (8) M12 flat washers, (4) M12 lock washers, and (4) M12 hex nuts. Do not fully tighten at this time {Fig 9, 10 & 11}. Note: If installing the 40-92315/45-92310 Grille Guard only install the M12 hardware at this time.
10. Align and adjust winch tray as needed then fully tighten all hardware at this time, torque all M12 fasteners to 50-55 ft lbs and M10 to 30-35 ft lbs. Install winch according to manufacturers specifications. Note: If installing the 40-92315/45-92310 Grille Guard skip this step.
11. If installing the 40-92315/45-92310 Sportsman winch mounted grille guard place the winch in the tray and install it per the manufacturers instructions. Note: many winches cannot be installed after the Grille Guard has been bolted in place.
12. Take the grille guard and align it to the outside of the frame mounting brackets, attach the grille guard using (8) M10 button head bolts, and (8) M10 flat washers, use the (8) M10 flat washers, (8) M10 lock washers, and (8) M10 hex nuts from the winch tray kit. Do not fully tighten at this time {Fig 12 & 13}. Align and adjust grille guard as needed then fully tighten all hardware. Torque all M12 fasteners to 50-55 ft lbs and M10 to 30-35 ft lbs.

CARE INSTRUCTIONS

- REGULAR WAXING IS RECOMMENDED. DO NOT USE ANY TYPE OF POLISH OR WAX THAT MAY CONTAIN ABRASIVES
- STAINLESS STEEL PRODUCTS CAN BE CLEANED WITH MILD SOAP AND WATER. STAINLESS STEEL POLISH SHOULD BE USED TO POLISH SMALL SCRATCHES.
- GLOSS BLACK FINISHES SHOULD BE CLEANED WITH MILD SOAP AND WATER

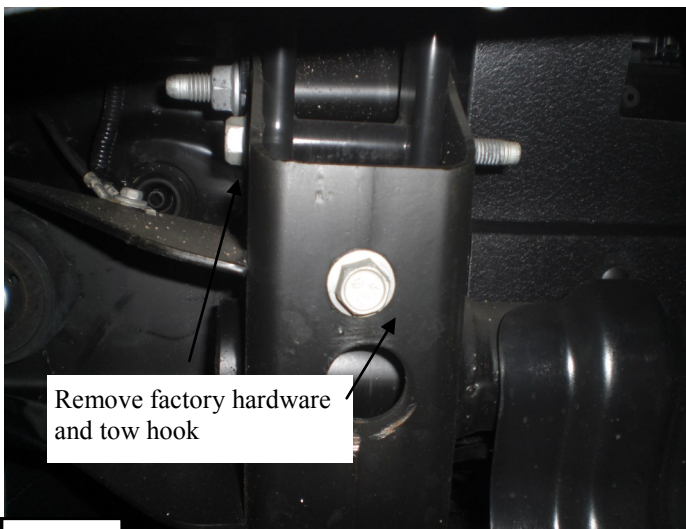
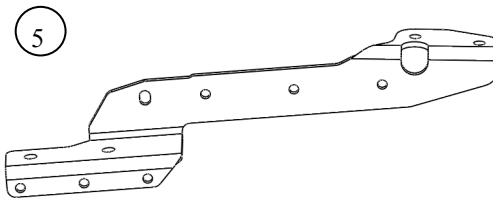
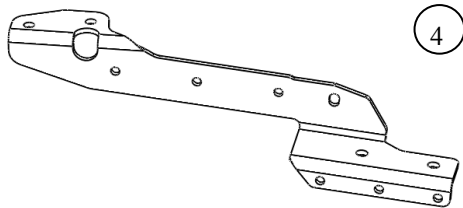
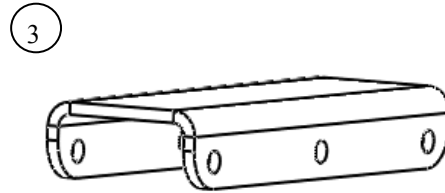
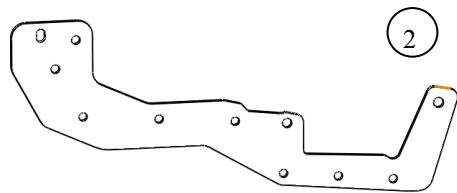


Fig 1

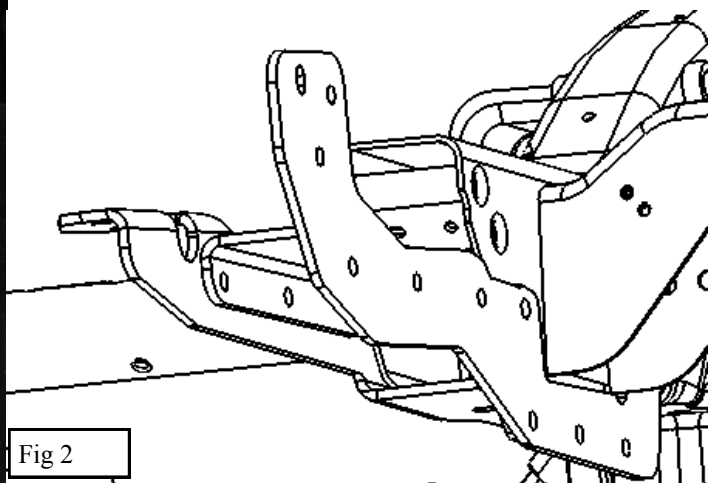
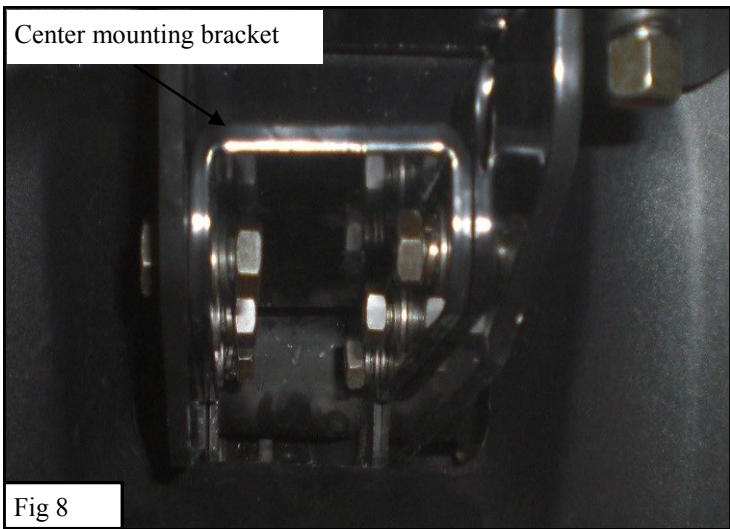
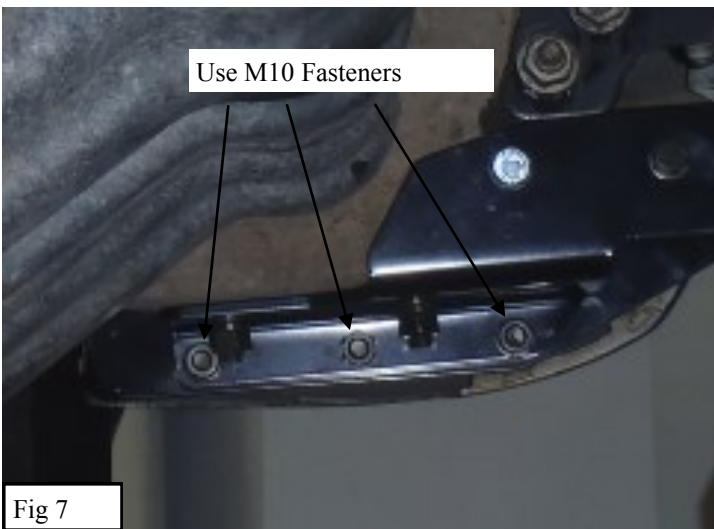
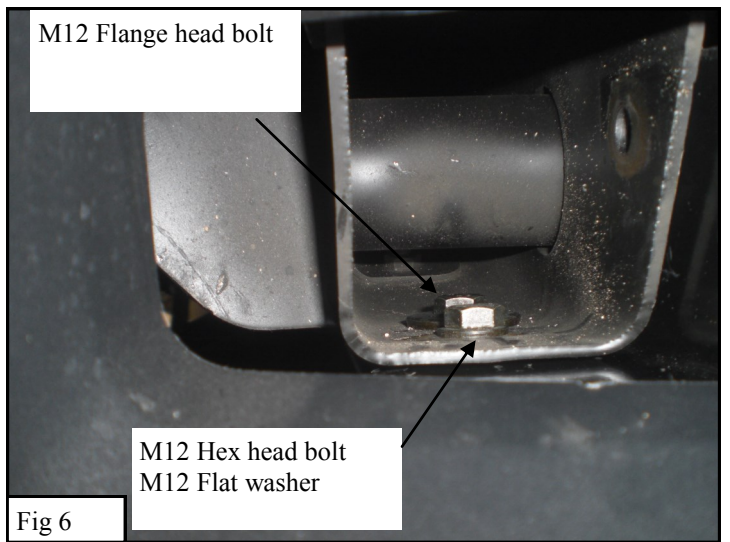
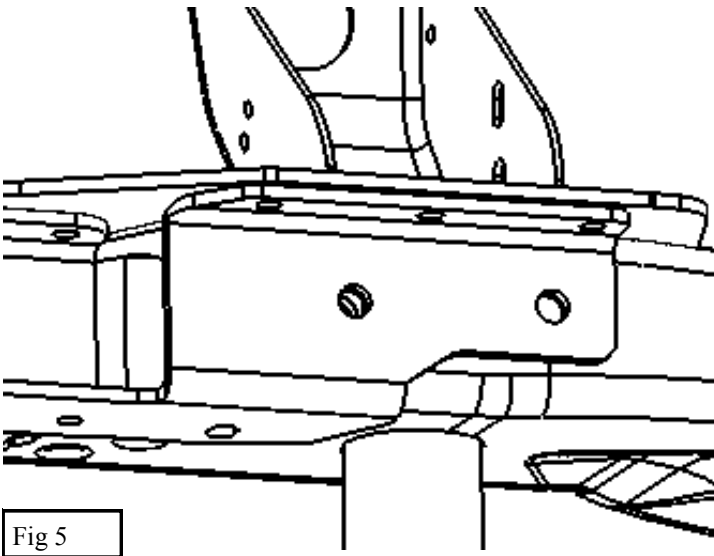
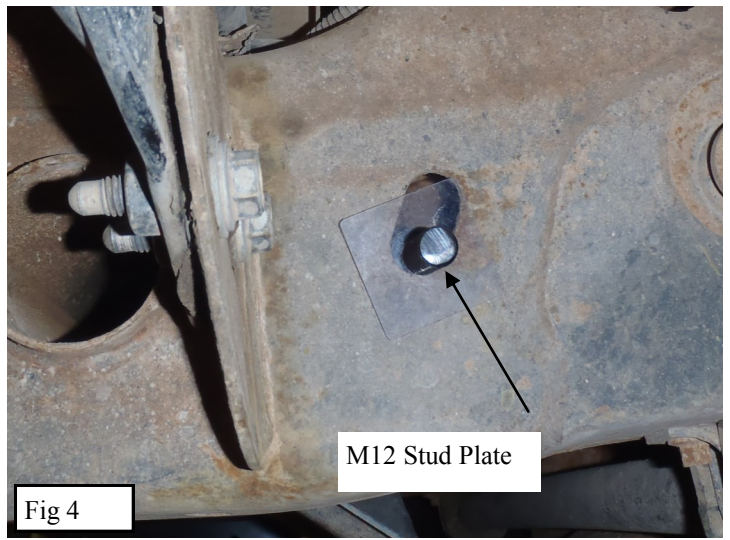
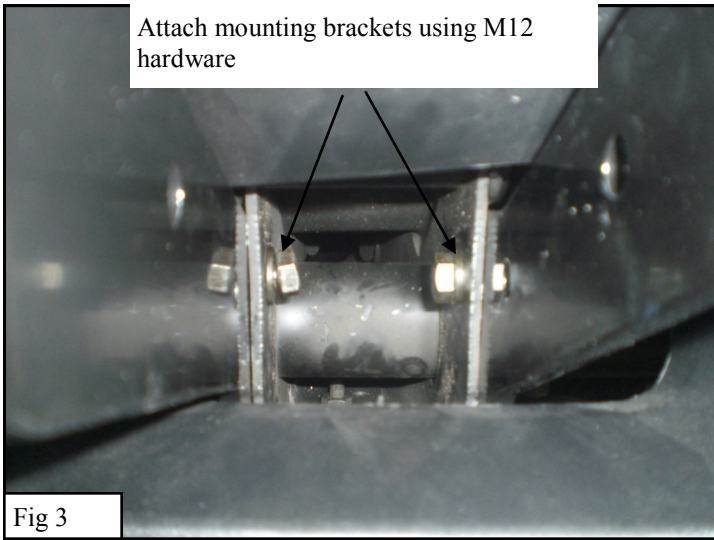


Fig 2



Thank You for choosing Westin products.



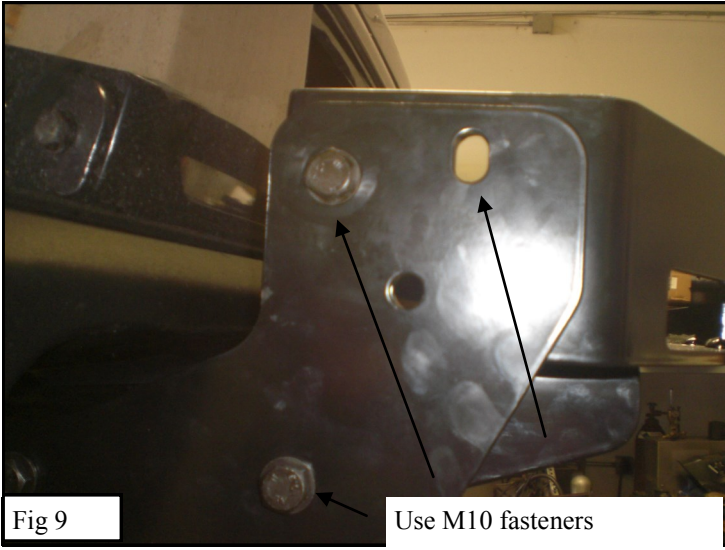


Fig 9

Use M10 fasteners

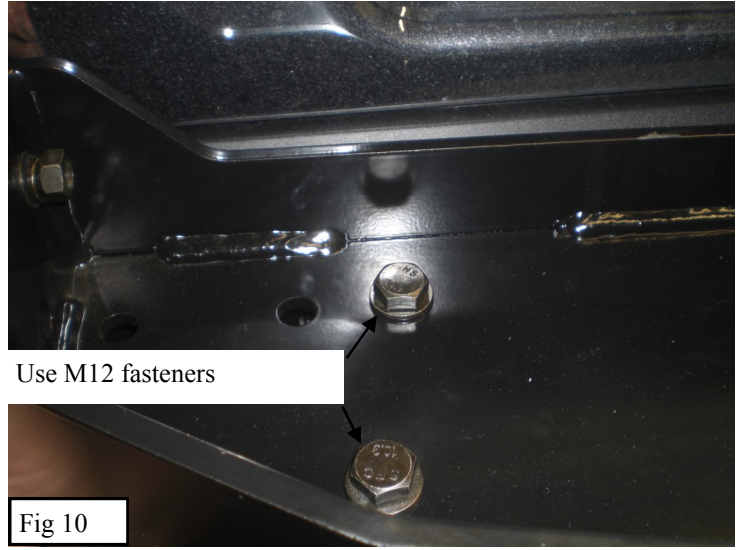


Fig 10

Use M12 fasteners

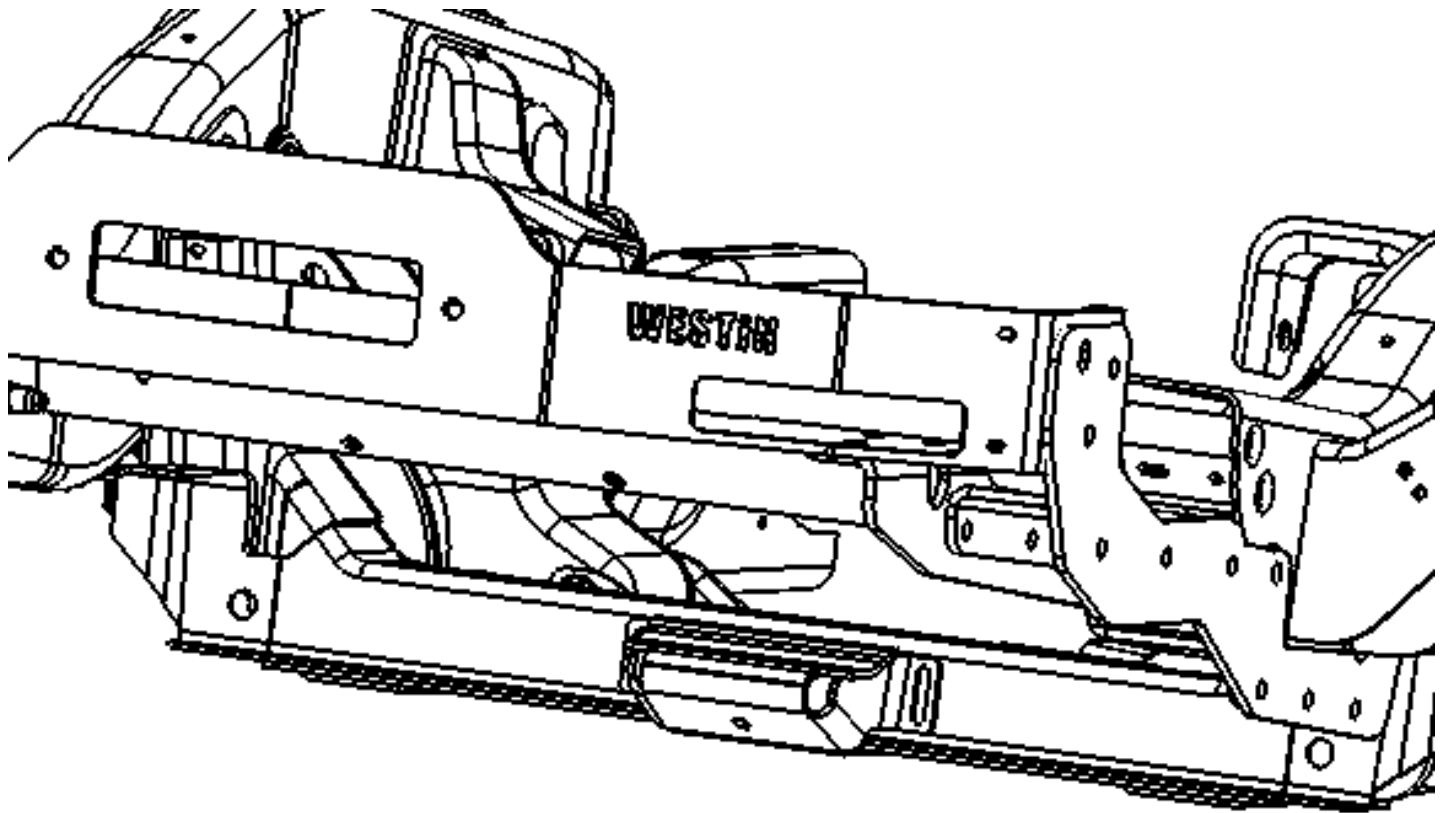


Fig 11



Thank You for choosing Westin products.

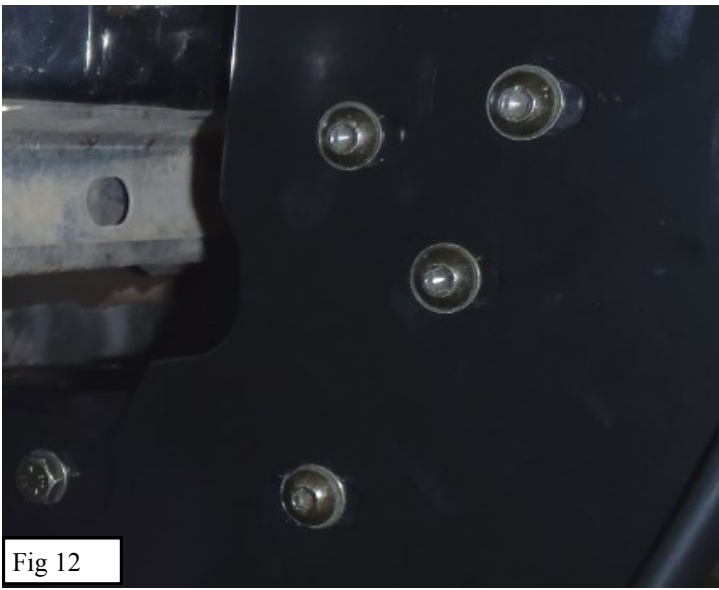


Fig 12



Fig 13



Thank You for choosing Westin products.



Installation complete (shown with optional Sportsman grille guard)



Installation complete (shown with optional HDX grille guard)



Installation complete (GMC Sierra shown with optional Sportsman grille guard)

WARNINGS & NOTICES FOR THE INSTALLATION OF MAX WINCH TRAY & SPORTSMAN—WINCH MOUNTS

NOTICE

Westin Max Winch Trays are designed to accommodate a winch bolt pattern of 10" X 4.5". Closely follow all Westin Installation Instructions for the proper installation of product. Improper installation can result in death, serious injury, and/or product and vehicle damage. In the operation of these products, it is imperative to observe precautions for your personal safety and the safety of others.

WARNING

Failure to follow these instructions could lead to death, personal injury, and / or property damage.

FASTENERS:

All Westin supplied fasteners must be utilized and installed in accordance with the installation instructions and apply torque to the specifications as defined. **DOUBLE CHECK ALL FASTENERS BEFORE PRODUCT USE TO ENSURE PROPER FUNCTION AND SAFETY.**

DRILLING:

Most Westin products do not require drilling for installation. If drilling is defined as required, use caution when drilling a vehicle. **FAILURE TO REVIEW AN AREA TO BE DRILLED MAY RESULT IN PERSONAL INJURY AND OR INJURY TO OTHERS AS WELL AS VEHICLE DAMAGE.**

EYE PROTECTION:

ALWAYS WEAR SAFETY GLASSES OR GOGLES DURING THE INSTALLATION PROCESS TO AVOID PERSONAL INJURY.

TOW HOOKS—TOW ATTACHMENT:

During product use, Tow Straps, Tow Cables, and Tow Hooks must only be attached to the Westin Tow Hook Loops as attached to the Max Winch Tray, (sold separately). **DO NOT ATTACH TO ANY OTHER AREA OR SERIOUS PERSONAL INJURY OR INJURY TO OTHERS MAY OCCUR.**

WINCH SIZING & MAX WINCH TRAY CAPACITY:

The Max Winch Tray is designed for a maximum Winch size rating of 12,000 Lbs. Use of Winch size ratings above this limit will void the Westin warranty and **MAY RESULT IN PERSONAL INJURY AND OR INJURY TO OTHERS AS WELL AS VEHICLE DAMAGE.**



Thank You for choosing Westin products.