



SIGNATURE OF QUALITY

AUTOMOTIVE PRODUCTS, INC.

INSTRUCTIONS

APPLICATION: 2007–13 CHEVY SILVERADO 1500 (except “Classic”)

MAX WINCH TRAY: HDX 46-22275

SPORTSMAN WINCH MOUNT GRILLE GUARD: 45-92270, 40-92275

HDX WINCH MOUNT GRILLE GUARD: 57-92270, 57-92275

ITEM	QUANTITY	DESCRIPTION	TOOLS NEEDED
1	1	WINCH TRAY (46-22275)	21mm SOCKET
2	1	WINCH TRAY MOUNTING BRACKETS DRIVER (46-22275)	18mm SOCKET
3	1	WINCH TRAY MOUNTING BRACKET PASSENGER (46-22275)	18mm WRENCH
4	1	SPORTSMAN GRILLE GUARD (40-92275– 45-92270)	17mm SOCKET
5	1	UPPER SUPPORT STRAP DRIVER (40-92275, 45-92270)	15mm SOCKET
6	1	UPPER SUPPORT STRAP PASSENGER (40-92275, 45-92270)	RACHET
7	1	HDX GRILLE GUARD (57-92270– 57-92275)	TORQUE WRENCH
8	1	UPPER SUPPORT BRACKET DRIVER (57-92270, 57-92275)	1/2” DRILL BIT
9	1	UPPER SUPPORT BRACKET PASSENGER (57-92270, 57-92275)	1/4” DRILL BIT
10	2	SPACER (57-92270, 57-92275)	ALLEN WRENCH
11	6	M12 HEX HEAD BOLT (46-22275*)	
12	18	SMALL M12 FLAT WASHER (46-22275*)	
13	10	M12 SPLIT LOCK WASHER (46-22275*)	
14	2	LARGE M12 FLAT WASHER (46-22275*)	
15	10	M12 HEX NUT (46-22275*)	
16	4	LONG M12 BUTTON HEAD BOLT (46-22275*)	
17	8	SMALL M12 FLAT WASHER (SS) (40-92275*, 57-92275*, 45-92270, 57-92270)	
18	4	M12 LOCK WASHER (SS) (40-92275*, 57-92275*, 45-92270, 57-92270)	
19	4	M12 HEX NUT (SS) (40-92275*, 57-92275*, 45-92270, 57-92270)	
20	4	LONG M12 BUTTON HEAD BOLT (SS) (40-92275*, 57-92275*, 57-92270)	
21	2	SHORT M10 BUTTON HEAD BOLT (SS) (40-92275*, 45-92270)	
22	4	M10 FLAT WASHER (SS) (40-92275*, 45-92270)	
23	2	M10 LOCK WASHER (SS) (40-92275*,45-92270)	
24	2	M10 HEX NUT (SS) (40-92275*, 45-92270)	
25	2	LONG M10 BUTTON HEAD BOLT (SS) (57-92275*, 57-92270)	
26	2	M10 BELLVILLE WASHER (SS) (57-92275*, 57-92270)	
27	2	M10 SERRATED FLANGE NUT (SS) (57-92275*, 57-92270)	
28	2	M10 HEX HEAD BOLT (57-92270, 57-92275)**	
29	2	M10 FLAT WASHER (57-92270, 57-92275)**	
30	2	M10 LOCK WASHER (57-92270, 57-92275)**	
31	4	SHORT M12 BUTTON HEAD BOLT (SS) (45-92270)	

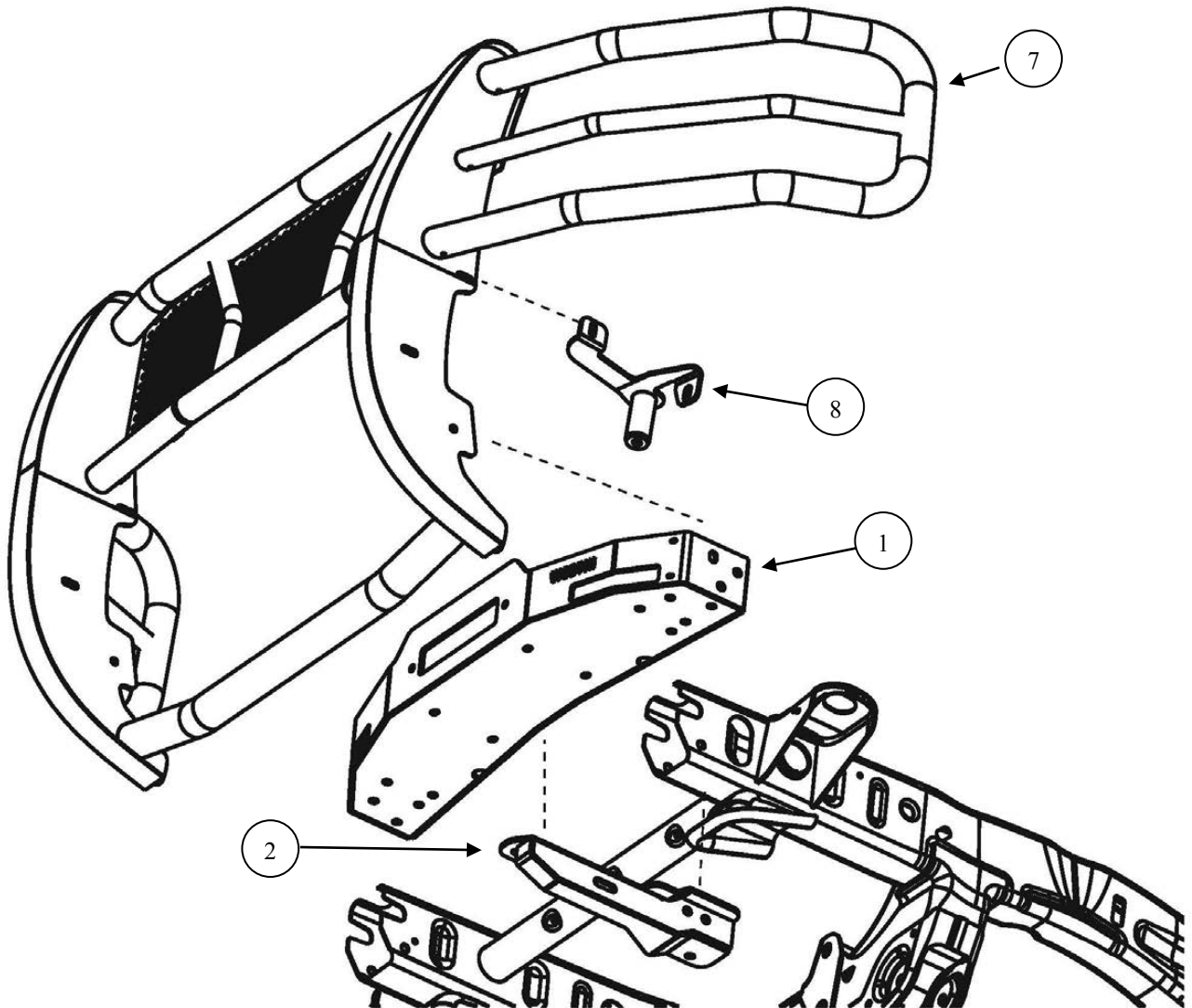
NOTE: *(BLACK), **(YELLOW), SS (Stainless steel)

ANTI-SEIZE LUBRICANT MUST BE USED ON ALL STAINLESS STEEL FASTENERS TO PREVENT THREAD DAMAGE AND GALLING



Thank You for choosing Westin products.

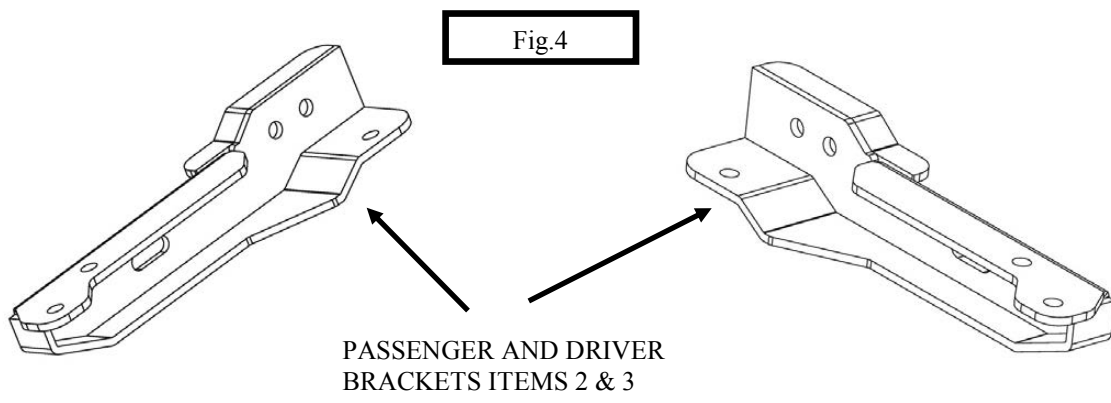
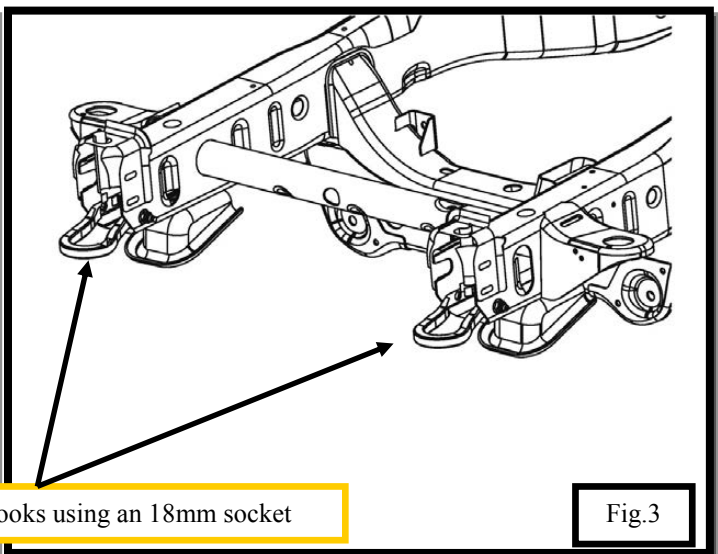
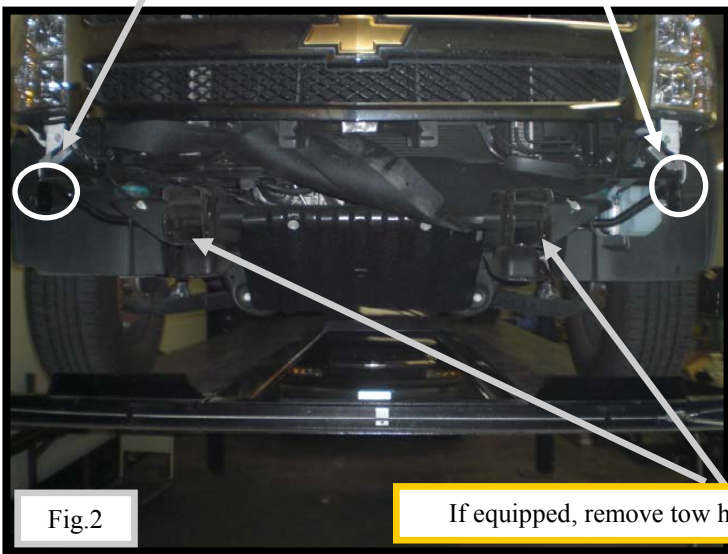
1. Remove contents from box, verify if all parts listed are present and free from damage. Carefully read and understand all instructions before attempting installation.
2. Remove front bumper and valance assembly. If equipped, remove tow hooks from the front end of the vehicle. **(Fig.1-3) NOTE: tow hooks will not be re-used with this application.**
3. Take the Winch Mounting brackets (item 2 & 3) **(Fig.4)**, and install them to the front end of the frame. **NOTE: drilling required for proper installation. (Fig. 6-7)**
4. Once the mounting brackets have been installed (do not fully tighten), trim bumper **(Fig. 11)**, then re-install Bumper & Valance assembly.
5. Take the Winch Tray (item 1) and place it on top of the previously mounted brackets. Align the holes on the winch tray to those of the brackets and proceed to install. **(Fig. 12-13) NOTE: Torque all M12 fasteners to 50-55 ft lbs.**
6. Install the Winch according to winch manufacture's instructions.
7. To install Winch Mounted Grille Guard proceed to **(Fig.14-23)**.
NOTE: SPORTSMAN and HDX GRILLE GUARD have different upper straps and brackets.



CARE INSTRUCTIONS

- REGULAR WAXING IS RECOMMENDED. DO NOT USE ANY TYPE OF POLISH OR WAX THAT MAY CONTAIN ABRASIVES.
- STAINLESS STEEL PRODUCTS CAN BE CLEANED WITH MILD SOAP AND WATER. STAINLESS STEEL POLISH SHOULD BE USED TO POLISH SMALL SCRATCHES.
- GLOSS BLACK FINISHES SHOULD BE CLEANED WITH MILD SOAP AND WATER.

REMOVE FRONT BUMPER AND VALANCE BY REMOVING THE NUTS ON (Fig. 1) ALONG WITH TWO M10 BOLTS LOCATED AT EACH OF THE BUMPER (Fig.2). IT MAY BE NECESSARY TO WIGGLE VALANCE AND BUMPER TO REMOVE STUD PLATE.



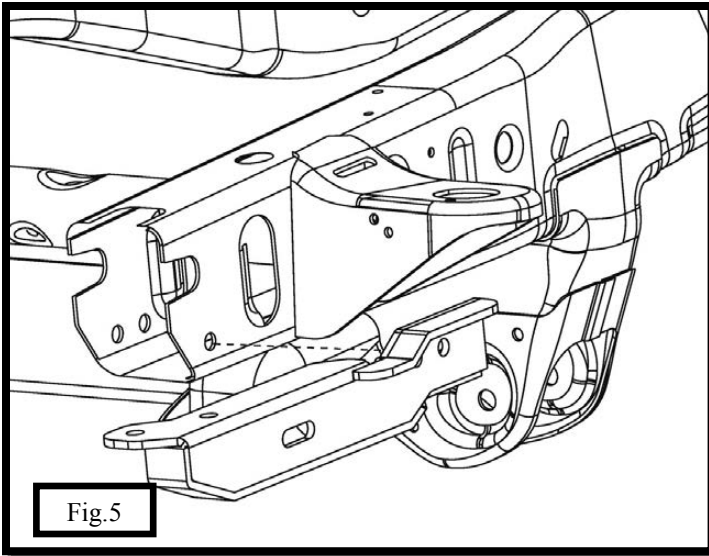


Fig.5

TO PROPERLY INSTALL BRACKETS YOU MUST DRILL HOLES TO THE FRAME. IN ORDER TO DO SO YOU MUST ALIGN THE BRACKETS TO THE FRAME USING THE EXISTING MOUNTING HOLES. AS SHOWN ON (FIG. 5)

ONCE YOU MOUNT THE BRACKETS TO THE EXISTING HOLES, MARK THE HOLES THAT REQUIRE DRILLING TO PROPERLY MOUNT EACH BRACKET. **NOTE: A TRANSFER PUNCH IS SUGGESTED.**



Fig.6



Fig.7

PLACE THE BRACKET ASIDE AND WITH A 1/4" DRILL BIT, DRILL A PILOT HOLE THROUGH THE FRAME. VERIFY THAT THE HOLE IS IN THE CORRECT LOCATION BY PLACING THE BRACKET BACK ON THE INSTALLED POSITION, THEN OPEN THE PILOT HOLE BY DRILLING THROUGH USING 1/2" DRILL BIT. **NOTE: PASSENGER SIDE ONLY REQUIRES ONE HOLE TO BE DRILLED INTO THE FRAME.**

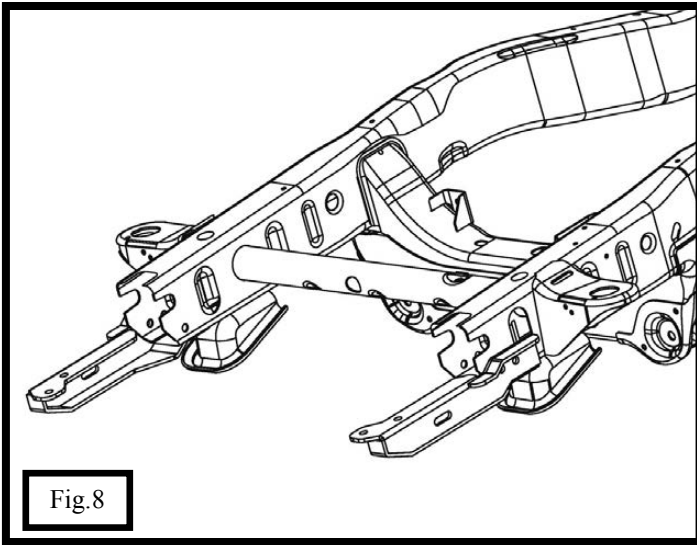


Fig.8

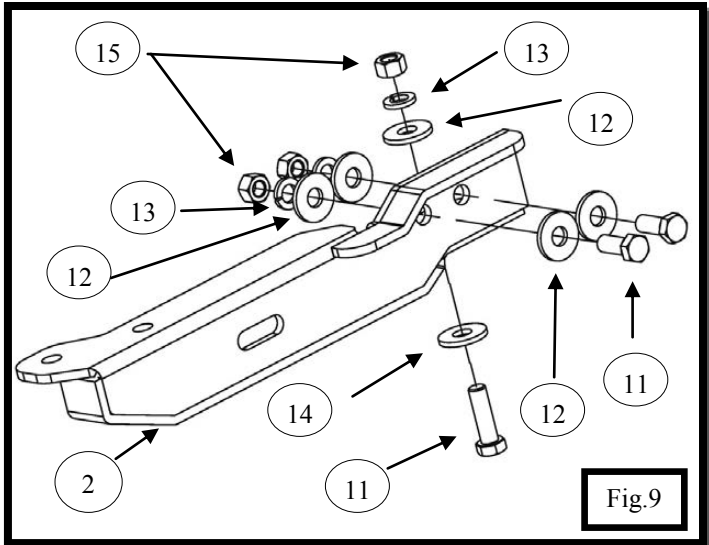


Fig.9

INSTALL THE DRIVER SIDE BRACKET TO THE FRAME USING (2) M12 HEX HEAD BOLTS, (4) M12 FLAT WASHERS, (2) M12 LOCK WASHERS, AND (2) M12 HEX NUTS. ON THE BOTTOM DRILLED HOLE, USE (1) M12 HEX HEAD BOLT, (1) M12 THICK FLAT WASHER, (1) M12 FLAT WASHER, (1) M12 LOCK WASHER, AND (1) M12 HEX NUT. (REPEAT FOR PASSENGER SIDE MOUNT BRACKET).
NOTE: DO NOT FULLY TIGHTEN AT THIS TIME.

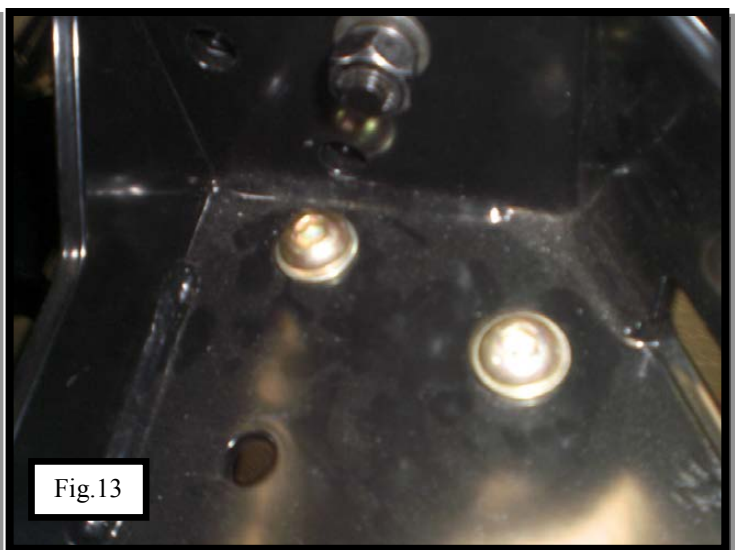
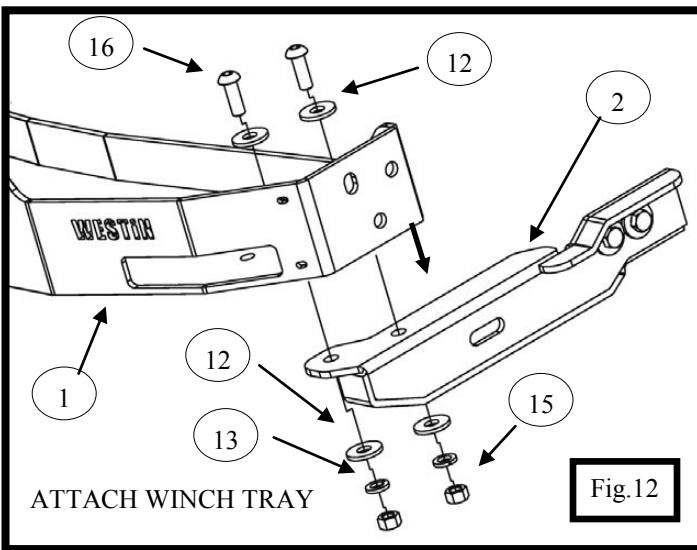


Fig.10



Fig.11

ONCE THE MOUNTING BRACKETS HAVE BEEN INSTALLED, TAKE THE FACTORY BUMPER AND VALANCE ASSEMBLY. HOLD IT UP TO THE VEHICLE, MARK WHERE MOUNTING BRACKETS COME IN CONTACT WITH THE LOWER VALANCE AND TRIM TO FIT. AFTER DOING SO, RE-INSTALL BUMPER AND VALANCE TO VEHICLE.



TO ATTACH WINCH TRAY USE (4) M12 BUTTON HEAD BOLTS, (8) M12 FLAT WASHERS, (4) M12 LOCK WASHERS, & (4) M12 HEX NUTS. YOU MAY NOW ALIGN AND ADJUST MOUNTING BRACKETS AND WINCH TRAY.
NOTE: DO NOT FULLY TIGHTEN IF INSTALLING A GRILLE GUARD KIT.
NOTE: TIGHTEN ALL FASTENERS IF NOT INSTALLING A GRILLE GUARD KIT INCLUDING MOUNTING BRACKETS. TORQUE ALL M12 FASTENERS TO 50-55 ft lbs.



OPEN THE HOOD AND REMOVE THE RADIATOR COVER TO ACCESS THE FACTORY GRILLE SHELL. USING A SMALL FLAT HEAD SCREWDRIVER, REMOVE THE RETAINER PLUGS. USE A 10mm SOCKET TO REMOVE THE TWO OUTER BOLTS FROM THE GRILLE SHELL.

USING A PAIR OF NEEDLE NOSE PLIERS, SQUEEZE THE SIX GRILLE MOUNTING CLIPS. BEGIN FROM ONE END OF THE GRILLE AND INSERT A SMALL SCREWDRIVER INTO THE CLIPS TO PREVENT THEM FROM POPPING BACK INTO PLACE. REMOVE THE GRILLE BY PULLING ON IT GENTLY AND EVENLY FORWARD.

REMOVE THE TWO TOP EXISTING FRAME BOLTS ONE AT A TIME AND PLACE THE UPPER STRAP (ITEM 4 & 5) IN THAT LOCATION. DO NOT FULLY TIGHTEN AS YOU NEED TO ADJUST LATER.
NOTE: FOR HDX MOUNTING PLEASE REFER TO (FIG.19 & 20)

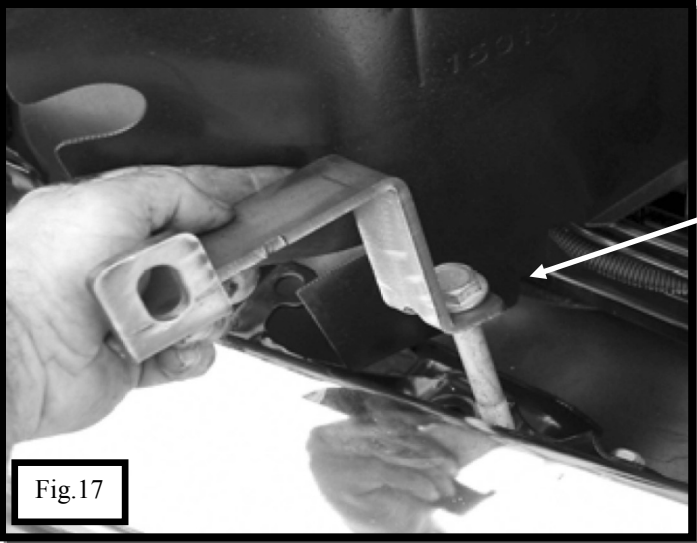


Fig.17

RE-INSTALL FACTORY GRILLE SHELL AT THIS TIME, LINE UP THE CLIPS AND GENTLY PUSH GRILLE SHELL INTO PLACE. DO NOT RE-INSTALL TOP COVERS.

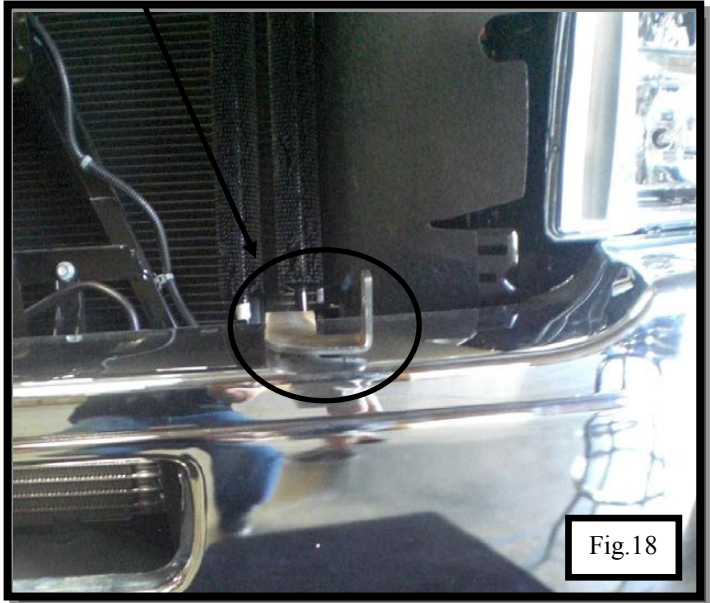


Fig.18

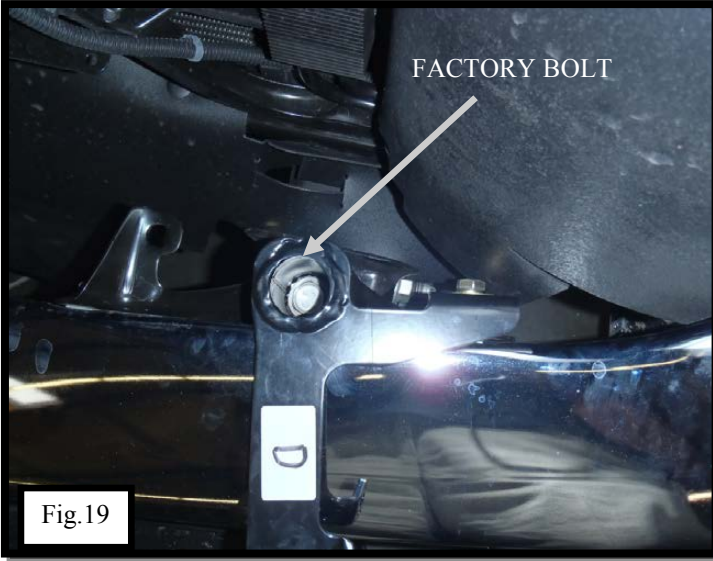


Fig.19

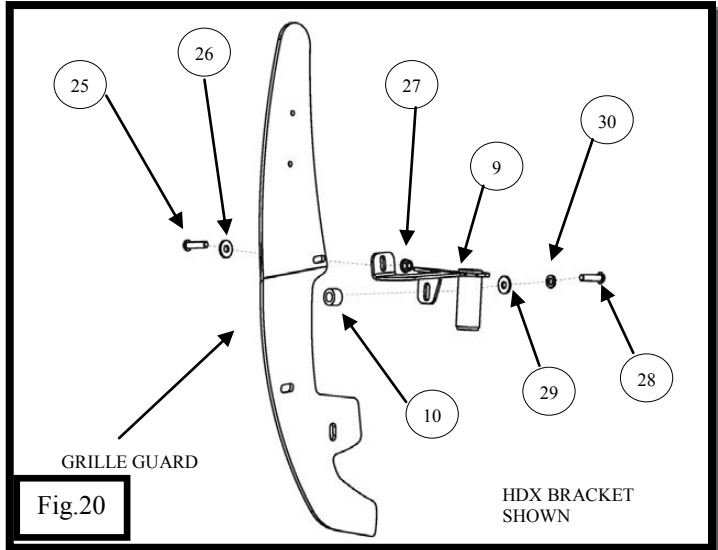


Fig.20

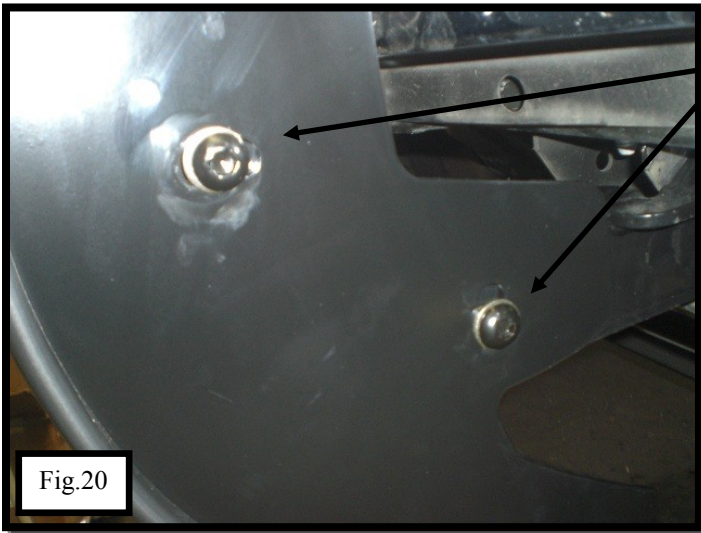


Fig.20

WITH HELP, POSITION THE GRILLE GUARD AND INSTALL BUTTON HEAD BOLTS TO WINCH TRAY. USE ITEM 20, 18, 17(x2), & 19, TO ATTACH WINCH TRAY TO GRILLE GUARD.

FOR UPPER STRAP TO GRILLE GUARD ON SPORTSMAN USE ITEM 21, 22(x2), 23 & 24.

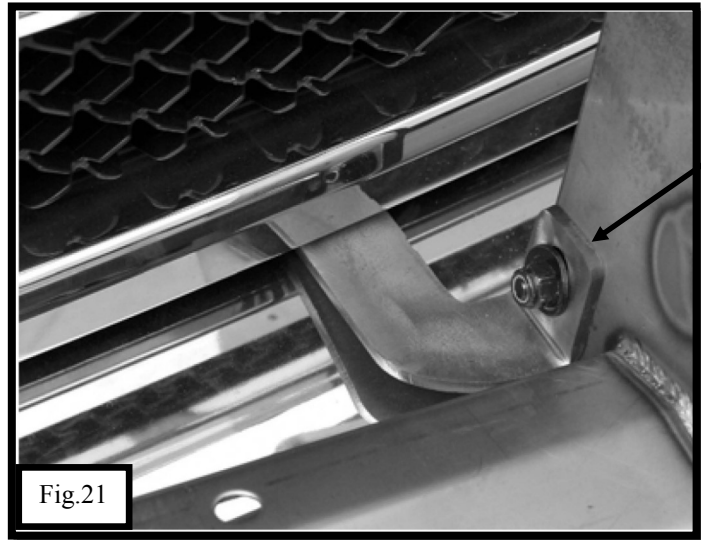


Fig.21

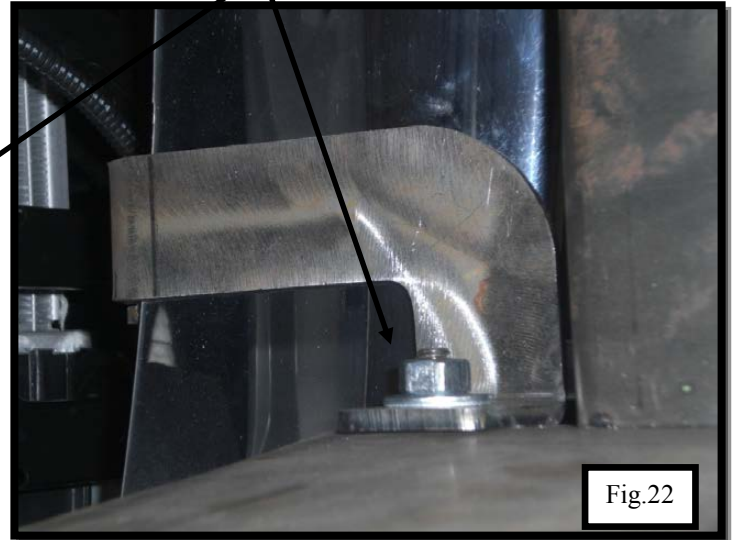


Fig.22

P/n 40-92275 shown here, Installation complete



Fig.23

P/n 57-92275 Shown here, Installation complete



Fig.24

ALIGN & ADJUST GRILLE GUARD AS NECESSARY THEN TIGHTEN ALL REMAINING HARDWARE:
M10 to 30-35 ft-lbs., M12 to 50-55 ft-lbs.



Thank You for choosing Westin products.