



AUTOMOTIVE PRODUCTS,

INSTALLATION INSTRUCTIONS

SPORTSMAN & HDX GRILLE GUARD

APPLICATION:

2015 & UP Ford F-150

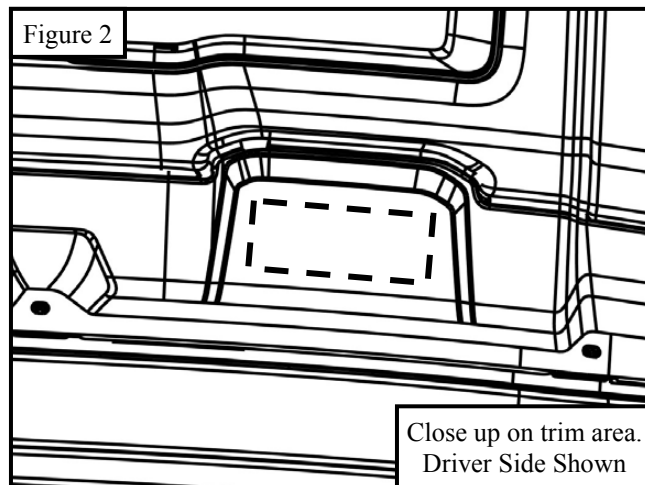
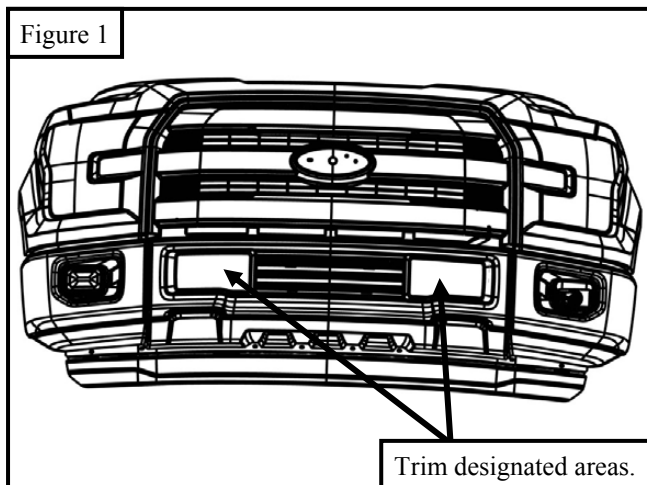
PART NUMBER: 40-3835, 45-3830, 57-3830, 57-3835

ITEM	QUANTITY	DESCRIPTION	TOOLS NEEDED
1	1	GRILLE GUARD ASSEMBLY	14MM SOCKET
2,3	2	LOWER MOUNTING BRACKET, DRIVER (2) AND PASSENGER (3)	15MM SOCKET
4,5	2	UPPER SUPPORT BRACKET, DRIVER (4) AND PASSENGER (5)	18MM SOCKET
6	2	8MM SPACER	UTILITY KNIFE
7	2	DOUBLE NUT PLATE	PRY TOOL
8	4	M12 HEX CAP SCREW (YELLOW ZINC)	ALLEN WRENCH
9	4	M12 FLAT WASHER (YELLOW ZINC)	SOCKET EXT.
10	4	M12 SPLIT LOCK WASHER (YELLOW ZINC)	RATCHET
11	2	M8 CAP SCREW (YELLOW ZINC)	TORQUE WRENCH
12	2	M8 FLAT WASHER (YELLOW ZINC)	
13	2	M8 SPLIT LOCK WASHER (YELLOW ZINC)	
14	6	M12 HEX BUTTON HEAD SCREW (STAINLESS)	
15	6	M12 CUP WASHER (STAINLESS)	
16	6	M12 SERRATED FLANGE NUT (STAINLESS)	

ANTI-SEIZE LUBRICANT MUST BE USED ON ALL STAINLESS STEEL FASTENERS TO PREVENT THREAD DAMAGE AND GALLING

PROCEDURE

- Remove contents from box, verify if all parts listed are present and free from damage. Carefully read and understand all instructions before attempting installation.
Failure to identify damage before installation could lead to a rejection of any claim.
- For vehicles without factory tow hooks:* Trim the plastic in the areas in **Figures 1 and 2**. Repeat for the passenger side.



Thank you for choosing Westin products.

3. **For vehicles with factory tow hooks:** Remove tow hooks and loosely install Lower Mounting Brackets to factory nut plates using supplied M12 hardware as shown in **Figure 4**. Trim screws if they interfere with lower mounting bracket. See **Figure 5**.
4. **For vehicles without tow hooks:** Slip double nut plates into frame and line up with existing holes. See **Figure 3**. Loosely install the Lower Mounting Brackets using the supplied M12 hardware as shown in **Figure 4**. Trim screws if they interfere with lower mounting bracket. See **Figure 5**.
5. Remove all factory hardware and clips attached to grille, then remove grille. See **Figures 6 - 12**.

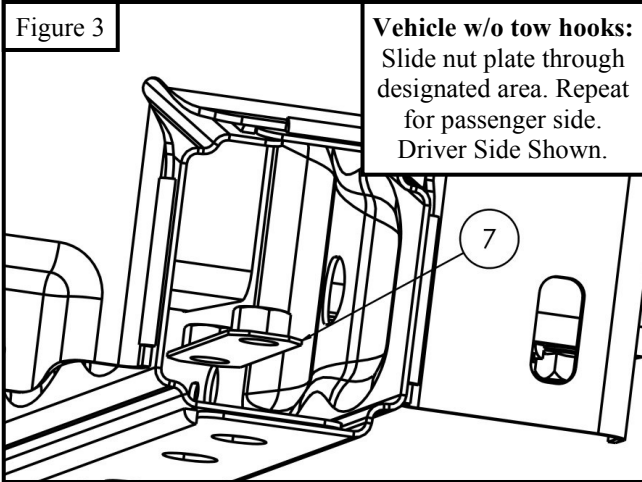


Figure 3
Vehicle w/o tow hooks:
 Slide nut plate through designated area. Repeat for passenger side. Driver Side Shown.

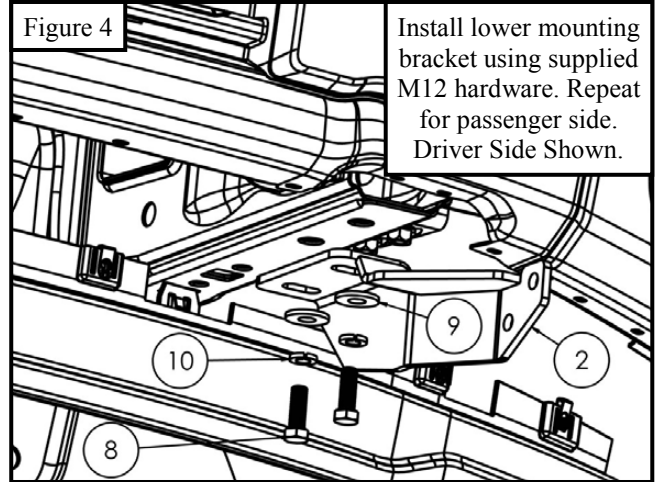


Figure 4
 Install lower mounting bracket using supplied M12 hardware. Repeat for passenger side. Driver Side Shown.

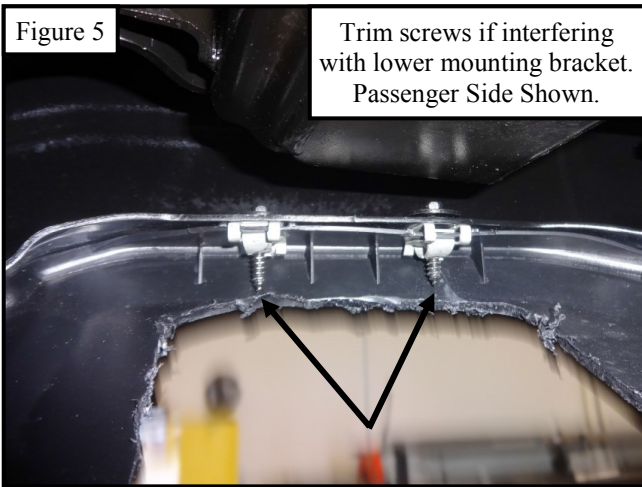


Figure 5
 Trim screws if interfering with lower mounting bracket. Passenger Side Shown.

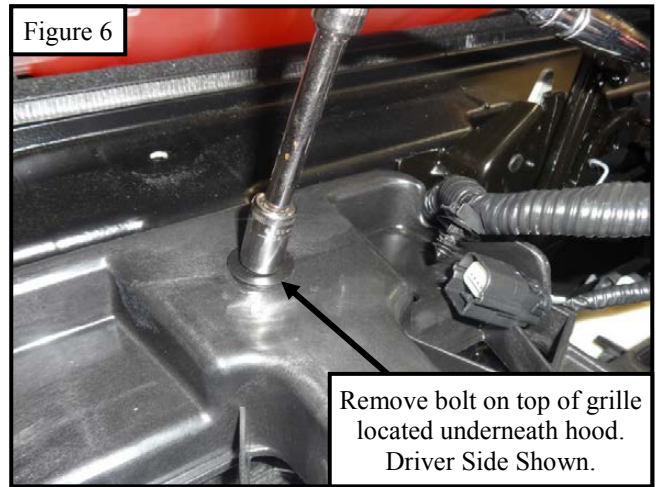


Figure 6
 Remove bolt on top of grille located underneath hood. Driver Side Shown.

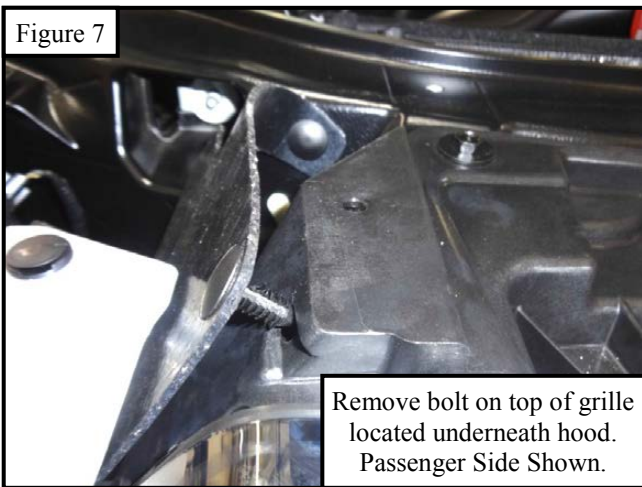


Figure 7
 Remove bolt on top of grille located underneath hood. Passenger Side Shown.

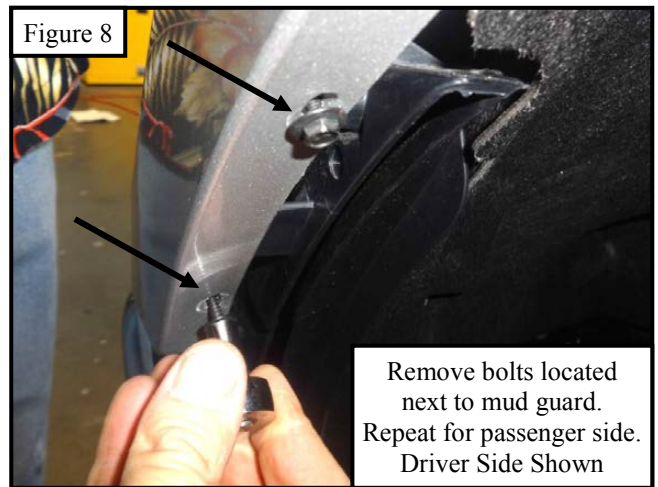


Figure 8
 Remove bolts located next to mud guard. Repeat for passenger side. Driver Side Shown

6. Remove factory bumper bolt see **Figure 13**. Install upper mounting bracket using supplied M8 hardware, tighten to 15 ft-lbs. See **Figure 14**.
7. Reinstall grille and headlight covers in the reverse order of the install instructions.
8. With assistance hold the Grille Guard up to the previously installed brackets. Loosely attach the Grille Guard to the brackets using the supplied M12 hardware. See **Figures 15 and 16**.
9. Align and adjust the Grille Guard as necessary. Tighten and torque M12 hardware to 50-55 ft-lbs.

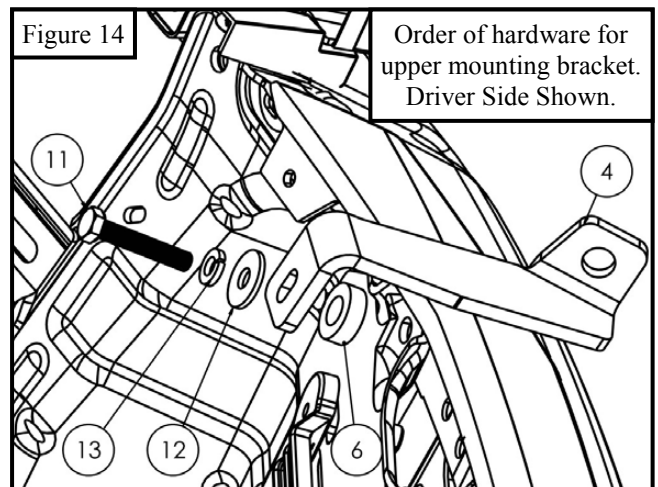
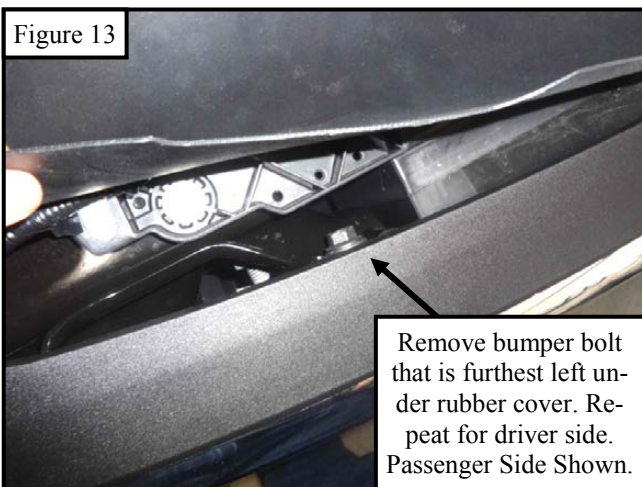
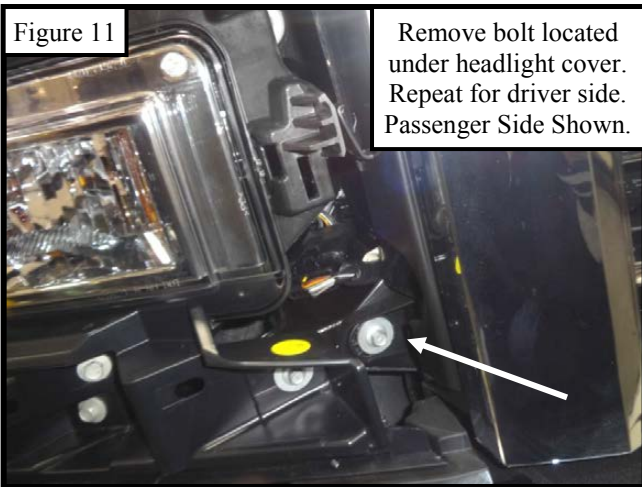
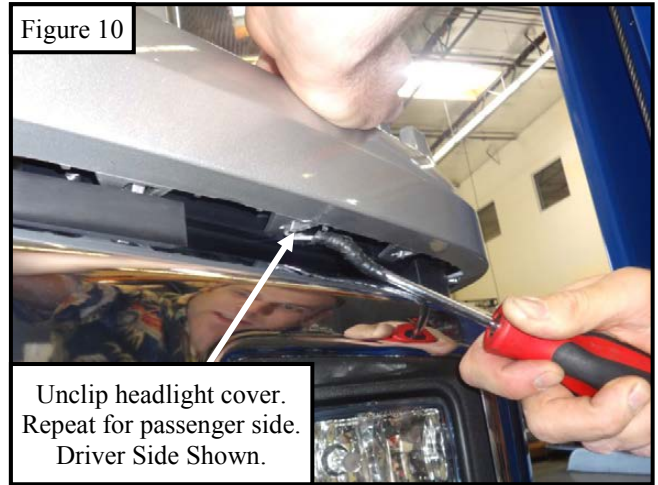
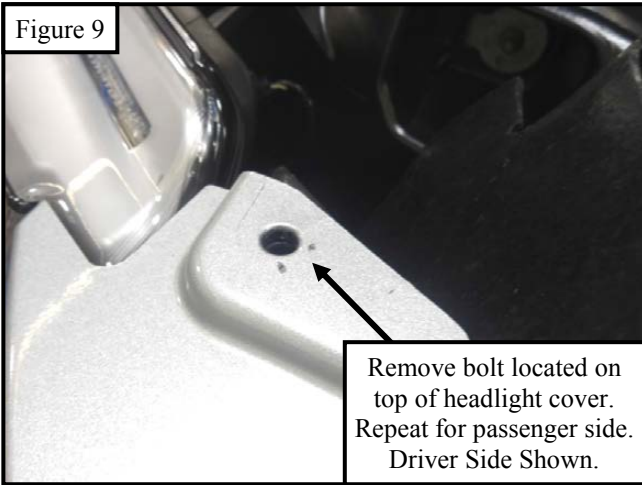
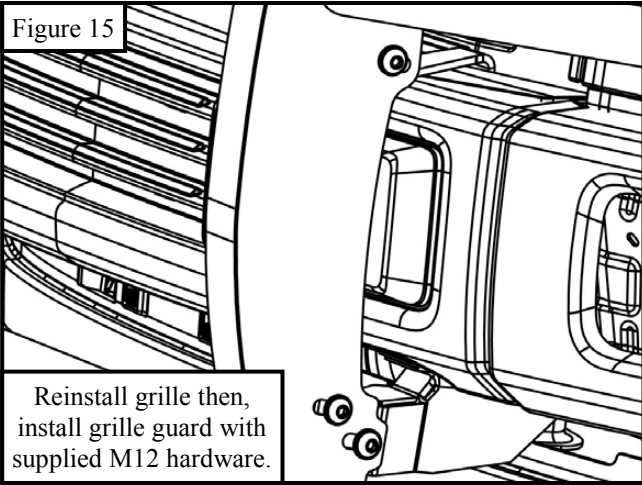
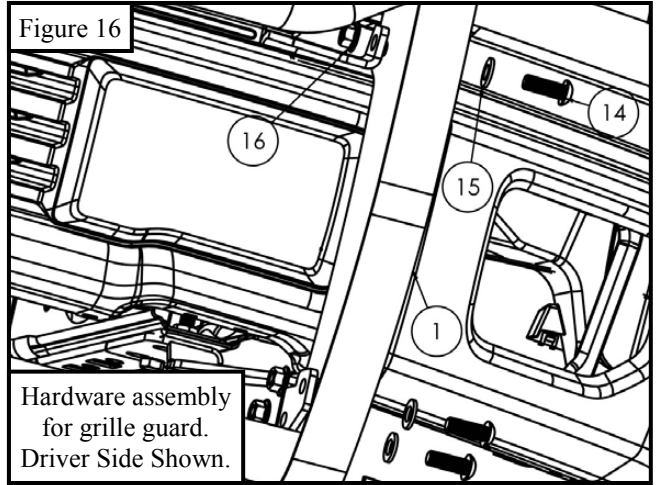


Figure 15



Reinstall grille then, install grille guard with supplied M12 hardware.

Figure 16



Hardware assembly for grille guard. Driver Side Shown.

INSTALLATION COMPLETE



HDX Grille Guard Shown.

CARE INSTRUCTIONS

- REGULAR WAXING IS RECOMMENDED. DO NOT USE ANY TYPE OF POLISH OR WAX THAT MAY CONTAIN ABRASIVES.
- STAINLESS STEEL PRODUCTS CAN BE CLEANED WITH MILD SOAP AND WATER. STAINLESS STEEL POLISH SHOULD BE USED TO POLISH SMALL SCRATCHES.
- GLOSS BLACK FINISHES SHOULD BE CLEANED WITH MILD SOAP AND WATER.



Thank you for choosing Westin products.



SIGNATURE OF QUALITY

AUTOMOTIVE PRODUCTS, INC.



WARNING



Failure to follow these instructions could lead to death, personal injury, and / or property damage.

FASTENERS:

All Westin supplied fasteners must be utilized and installed in accordance with the installation instructions and apply torque to the specifications as defined. **DOUBLE CHECK ALL FASTENERS BEFORE INITIAL USE, AND PERIODICALLY IN THE FUTURE TO ENSURE PROPER FUNCTION AND SAFETY.**

DRILLING:

Most Westin products do not require drilling for installation. If drilling is defined as required, use caution when drilling a vehicle. **FAILURE TO REVIEW AN AREA TO BE DRILLED MAY RESULT IN PERSONAL INJURY AND/OR INJURY TO OTHERS AS WELL AS VEHICLE DAMAGE.**

EYE PROTECTION:

ALWAYS WEAR SAFETY GLASSES OR GOGGLES DURING THE INSTALLATION PROCESS TO AVOID PERSONAL INJURY.

MAXIMUM TOWING/CARRYING CAPACITY:

The Westin Receiver Hitches will have a visible tow rating label affixed directly on the product. User should never exceed the vehicle manufacturers maximum tow and weight rating regardless of the capacity of the hitch. **FAILURE TO FOLLOW THESE GUIDELINES WILL VOID THE WESTIN WARRANTY AND MAY RESULT IN PERSONAL INJURY AND/OR INJURY TO OTHERS AS WELL AS VEHICLE DAMAGE.**



Thank you for choosing Westin products.