



SIGNATURE OF QUALITY

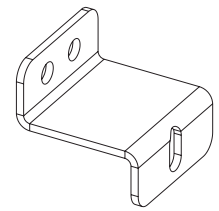
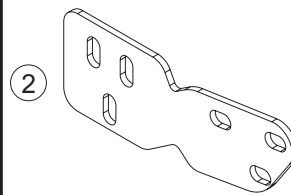
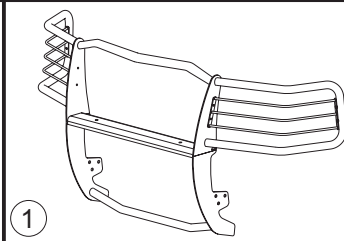
AUTOMOTIVE PRODUCTS, INC.

# INSTALLATION INSTRUCTIONS

APPLICATION: 2007-13 CHEVY AVALANCHE/SUBURBAN/TAHOE 1500  
2007-13 CADILLAC ESCALADE/GMC YUKON/YUKON XL 1500

SPORTSMAN ASSEMBLIES

40-2115  
45-2110  
40-2135  
45-2130

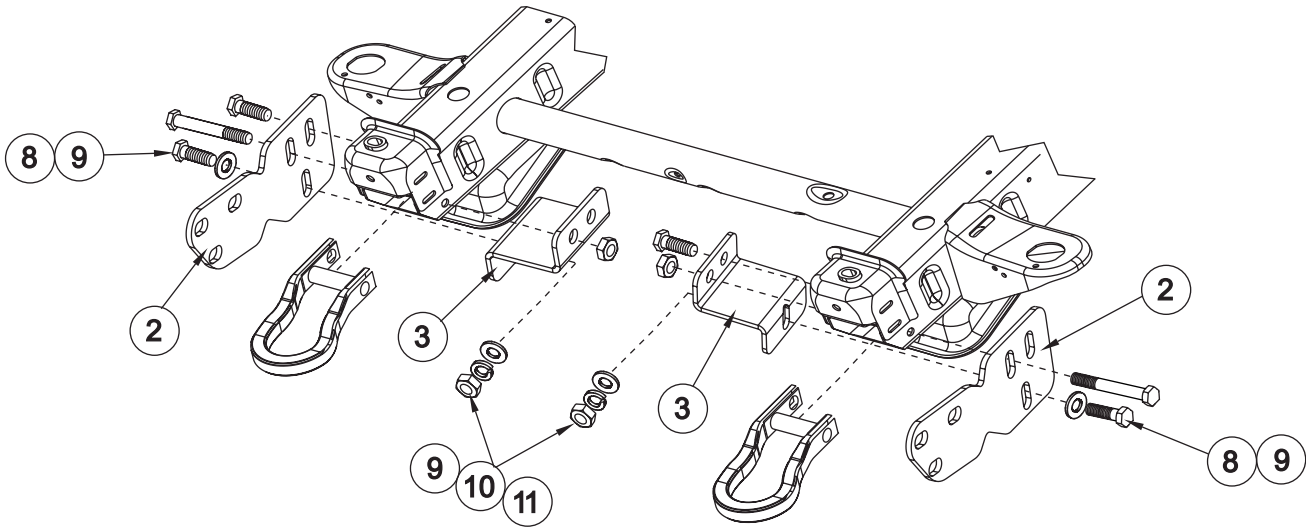


## PARTS KIT CONTENTS

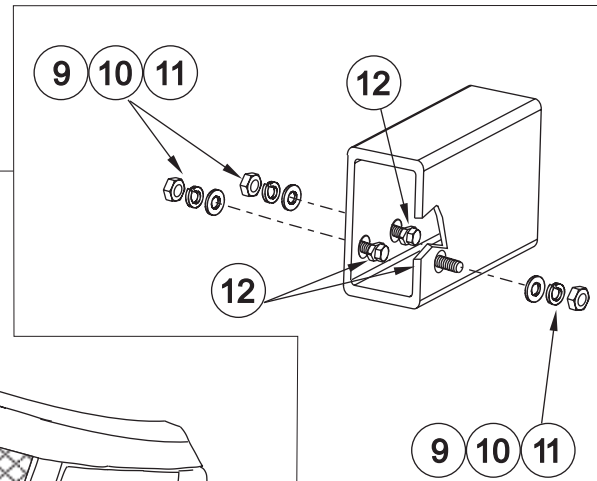
ITEM	QTY	DESCRIPTION	TOOLS REQUIRED
1	1	SPORTSMAN ASSEMBLY	19MM SOCKET
2	2	BOTTOM BRACKET	19MM WRENCH
3	2	BOTTOM BRACKET BRACE	17MM WRENCH
4	6	M12-1.75 X 35MM HEX HEAD BOLT, STAINLESS STEEL	18MM SOCKET
5	12	M12 FLAT WASHER, STAINLESS STEEL	18MM WRENCH
6	6	M12 LOCK WASHER, STAINLESS STEEL	RATCHET
7	6	M12 HEX NUT, STAINLESS STEEL	SOCKET EXTENSION
8	2	M12-1.75 X 35MM HEX HEAD BOLT, YELLOW ZINC	UTILITY KNIFE
9	10	M12 FLAT WASHER, YELLOW ZINC	
10	8	M12 LOCK WASHER, YELLOW ZINC	
11	8	M12 HEX NUT, YELLOW ZINC	
12	6	M12 BOLT PLATES, YELLOW ZINC	
13	2	ANTI-REFLECTIVE TAPE (POLISHED ASSEMBLIES ONLY)	

NOTE: WESTIN ADVISES THE INSTALLER TO USE A THREAD LUBRICANT ON ALL STAINLESS HARDWARE.

- STEP 1. Remove the contents from box and check for damage. Verify all parts are present. Read instructions completely before beginning.
- STEP 2. Remove tow hooks by removing the front through bolt and rear bolt that threads into the side of the tow hooks. The tow hooks will be reinstalled.
- STEP 3. Slide brackets in through the backside of the tow hook pockets. Align upper slots on brackets with holes on the outside of the frame ends. Secure brackets to bracket braces with with included M12 yellow fasteners. Reinstall tow hooks. Secure with factory hardware. **SEE FIGURE 1** Leave loose. It may be necessary to trim the fascia around the tow hook area in order to properly align the brackets. **SEE FIGURE 3.**  
**NOTE:** If not using tow hooks or vehicle was not equipped with them, use the supplied bolt plates. Insert the plates from the inside of the frame through the holes that would be used for the tow hooks. **SEE FIGURE 2.**
- STEP 4. Attach Sportsman to brackets using 12MM fasteners. **SEE FIGURE 3.** Center and level Sportsman on vehicle and tighten all fasteners.
- STEP 5. If light glare is being experienced off the wings of the grille guard, anti reflective tape has been supplied to reduce glare. With headlights on, note where the reflection is concentrated on the wing. Clean the wing well with a non-abrasive cleaner (rubbing alcohol works the best.) Trim the anti-reflective tape to the appropriate size where the glare was located and apply tape. **SEE FIGURE 3.**



**FIGURE 1**  
 INSTALLATION SHOWN USING  
 FACTORY TOW HOOKS  
 AND FACTORY HARDWARE



**FIGURE 2**  
 INSTALLATION  
 WITHOUT TOW HOOKS

**FIGURE 3**

TRIMMING OF TOW HOOK  
 AREA MAY BE NEEDED

