

# INSTALLATION INSTRUCTIONS

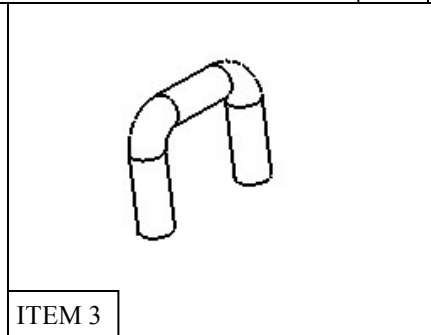
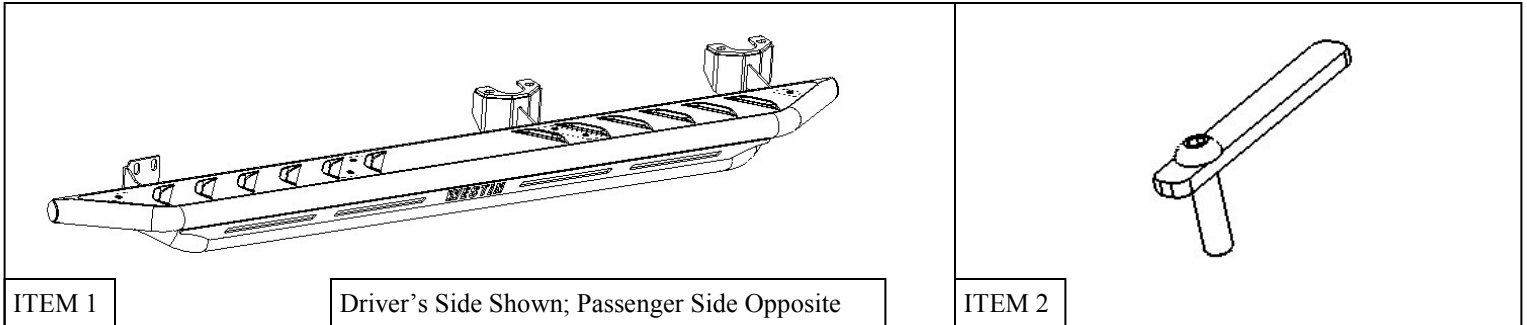
## TRIPLE TUBE ROCK RAILS



APPLICATION:  
2018 Jeep Wrangler JL Unlimited 4-Door  
PART NUMBER:  
42-6025

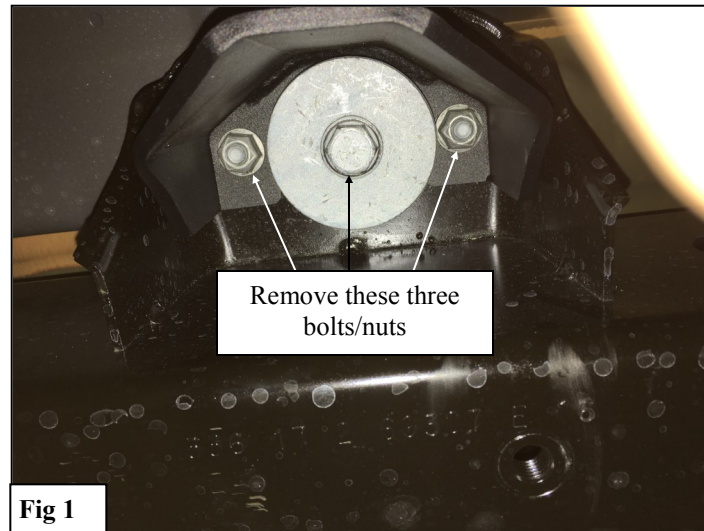
CONTENT			
ITEM	QUANTITY	DESCRIPTION	TOOLS NEEDED
1	2	STEP BAR ASSEMBLY (1 PASSENGER, 1 DRIVER)	18MM SOCKET
2	2	M12 BOLT PLATE	18MM WRENCH
3	2	M10 U-BOLT	16MM SOCKET
4	2	M12 HEX NUT	16MM WRENCH
5	2	M12 FLAT WASHER	RATCHET
6	2	M12 SPLIT LOCK WASHER	TORQUE WRENCH
7	4	M10 FLAT WASHER	
8	4	M10 HEX NUT	
9	4	M10 SPLIT LOCK WASHER	
10	2	M12 POLY RETAINER	
11	4	M10 POLY RETAINER	

**ANTI-SEIZE LUBRICANT MUST BE USED ON ALL STAINLESS STEEL FASTENERS TO PREVENT THREAD DAMAGE AND GALLING**

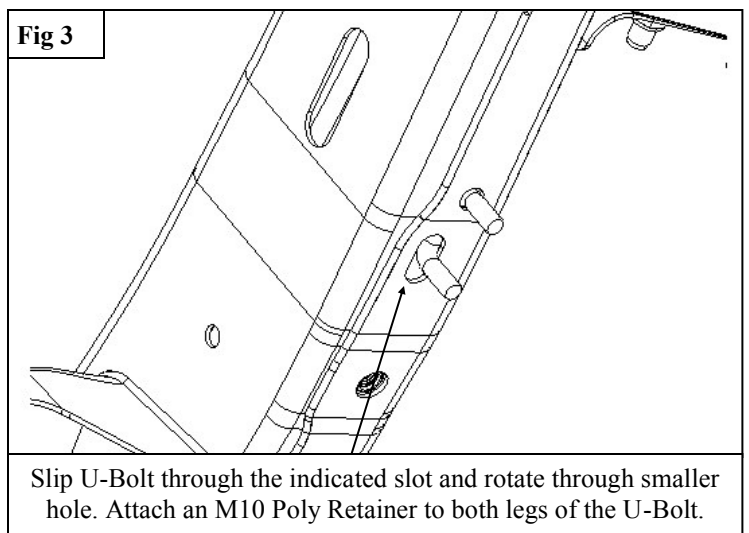
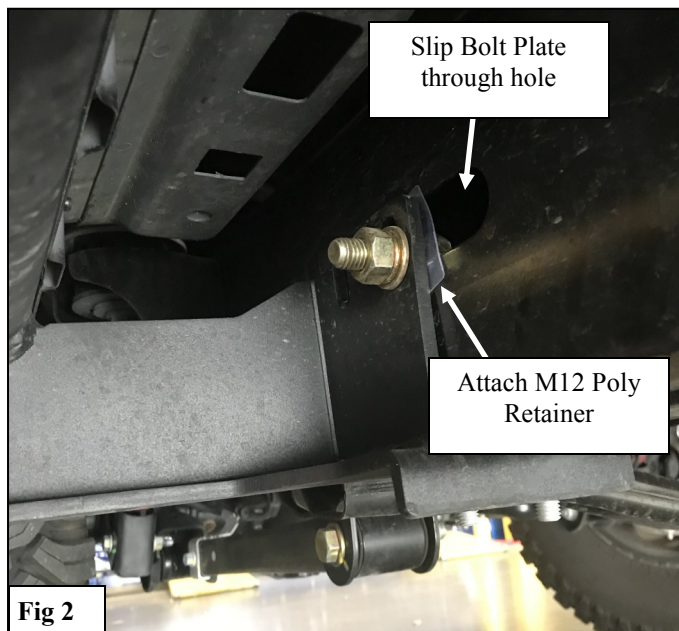


## PROCEDURE

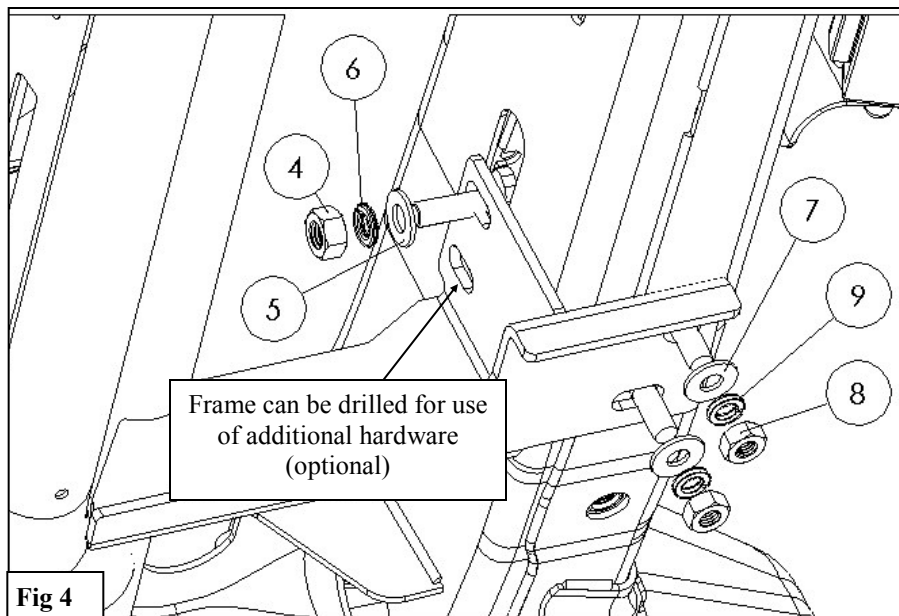
1. Remove contents from box, verify if all parts listed are present and free from damage. Carefully read and understand all instructions before attempting installation.  
**Failure to identify damage before installation could lead to a rejection of any claim.**
2. **BE SURE TO REMOVE ANY OEM OR PREVIOUS AFTERMARKET STEP BARS OR ROCK RAILS PRIOR TO INSTALLATION.**
3. Remove the factory M12 body mount bolt and factory M10 nuts where the Triple Tubes will be mounted. See **Figure 1**.



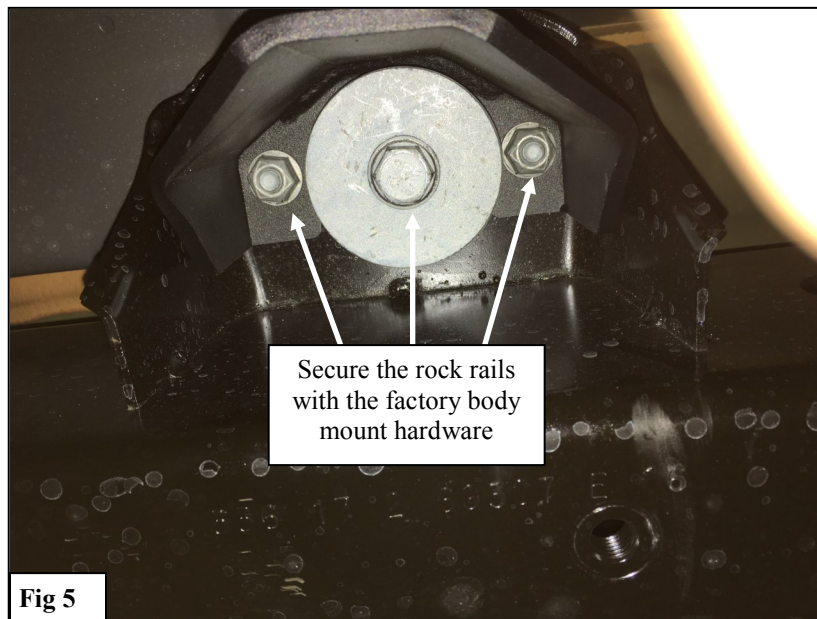
4. Slip the M12 Bolt Plate (2) through the frame and attach an M12 Poly Retainer (10). See **Figure 2**
5. Fish an M10 U-Bolt (3) through the mounting hole on the frame and rotate it through the second hole. Attach two M10 Poly Retainers (11). See **Figure 3**



6. Lift the Step Bar Assembly (1) into place and align the mounting locations.
7. Use the supplied M10 and M12 hardware to loosely secure the front mounting bracket. **See Figure 4** *Note: The second hole in the bracket is an optional location for drilling and additional hardware if desired.*



8. Use the factory hardware to loosely secure the two body mount brackets as shown in **Figure 5**.
9. Repeat all steps for the Passenger Side.
10. Align and adjust step board to desired location, and torque ; M10 hardware to 32 ft-lbs, and M12 hardware to 55 ft-lbs. Factory hardware will be torqued; M10 to 45ft-lbs, and M12 to 78 ft-lbs



#### CARE INSTRUCTIONS

- REGULAR WAXING IS RECOMMENDED. DO NOT USE ANY TYPE OF POLISH OR WAX THAT MAY CONTAIN ABRASIVES
- STAINLESS STEEL PRODUCTS CAN BE CLEANED WITH MILD SOAP AND WATER. STAINLESS STEEL POLISH SHOULD BE USED TO POLISH SMALL SCRATCHES.
- GLOSS BLACK FINISHES SHOULD BE CLEANED WITH MILD SOAP AND WATER

**WESTIN**

INSTALLATION COMPLETE



**WESTiN**

P.N.: 75-426025-RevA



## WARNING



Failure to follow these instructions could lead to death, personal injury, and / or property damage.

Failure to follow these instructions could lead to death, personal injury, and / or property damage.

### FASTENERS:

All Westin supplied fasteners must be utilized and installed in accordance with the installation instructions and apply torque to the specifications as defined. **DOUBLE CHECK ALL FASTENERS BEFORE INITIAL USE, AND PERIODICALLY IN THE FUTURE TO ENSURE PROPER FUNCTION AND SAFETY.**

### DRILLING:

Most Westin products do not require drilling for installation. If drilling is defined as required, use caution when drilling a vehicle. **FAILURE TO REVIEW AN AREA TO BE DRILLED MAY RESULT IN PERSONAL INJURY AND/OR INJURY TO OTHERS AS WELL AS VEHICLE DAMAGE.**

### EYE PROTECTION:

**ALWAYS WEAR SAFETY GLASSES OR GOGGLES DURING THE INSTALLATION PROCESS TO AVOID PERSONAL INJURY.**

### MAXIMUM TOWING/CARRYING CAPACITY:

The Westin Receiver Hitches will have a visible tow rating label affixed directly on the product. User should never exceed the vehicle manufacturers maximum tow and weight rating regardless of the capacity of the hitch. **FAILURE TO FOLLOW THESE GUIDELINES WILL VOID THE WESTIN WARRANTY AND MAY RESULT IN PERSONAL INJURY AND/OR INJURY TO OTHERS AS WELL AS VEHICLE DAMAGE.**