



# INSTALLATION INSTRUCTIONS

Snyper Muffler Skid Plate

APPLICATION:

Jeep Wrangler 2007-2016

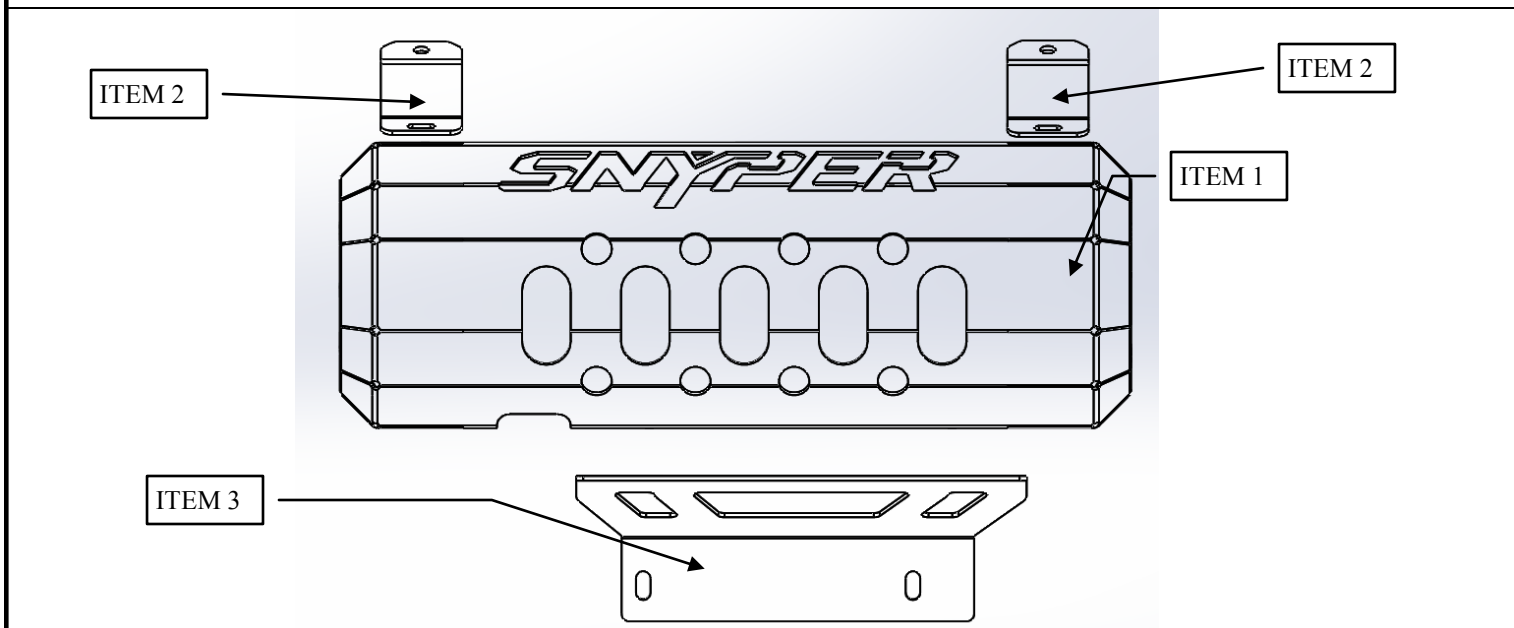
Jeep Wrangler Unlimited 2007-2016

PART NUMBER: 42-21045

AUTOMOTIVE PRODUCTS,

CONTENT			
ITEM	QUANTITY	DESCRIPTION	TOOLS NEEDED
1	1	Muffler Skid Plate	18MM Socket
2	2	Rear Brackets	Ratchet
3	1	Front Bracket	Torque Wrench
4	1	Bolt Plate	13MM Socket
5	4	Plastic Retainer Square, M8	
6	4	M8 Split Lock Washer	
7	4	M8 Flat Washer	
8	4	M8 Hex Nut	
9	4	M8 Carriage Bolt	
10	1	M12 Hex Nut	
11	1	M12 Split Lock Washer	
12	1	M12 Flat Washer	

ANTI-SEIZE LUBRICANT MUST BE USED ON ALL STAINLESS STEEL FASTENERS TO PREVENT THREAD DAMAGE AND GALLING

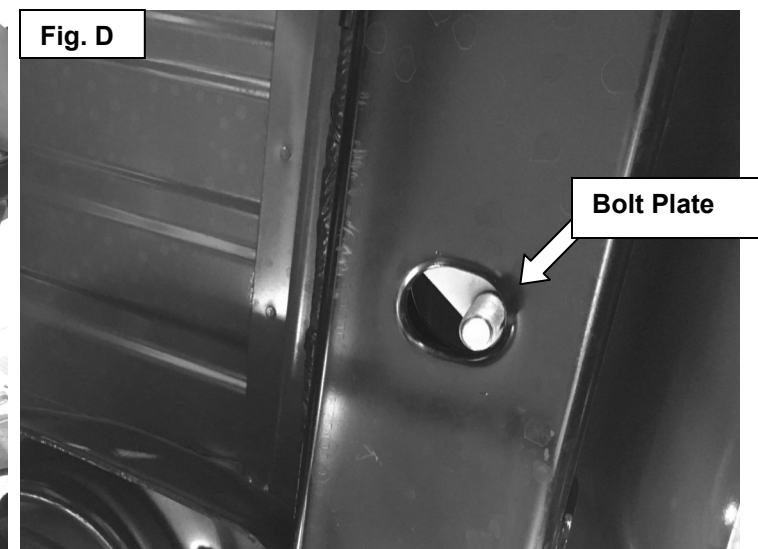
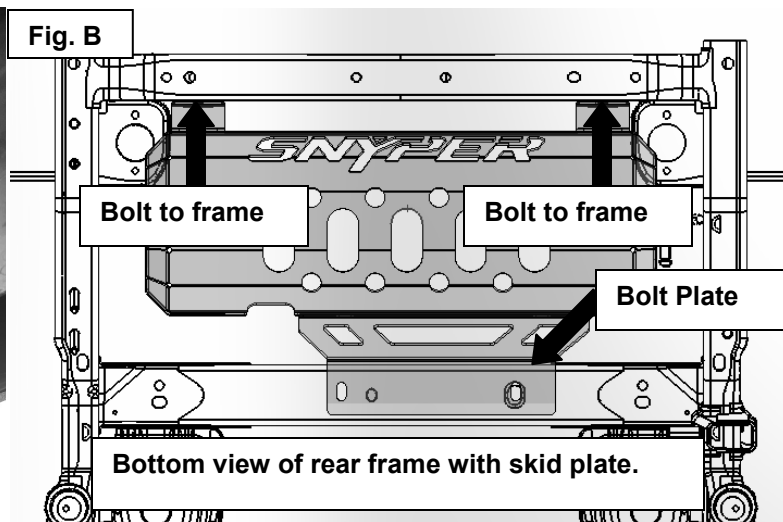
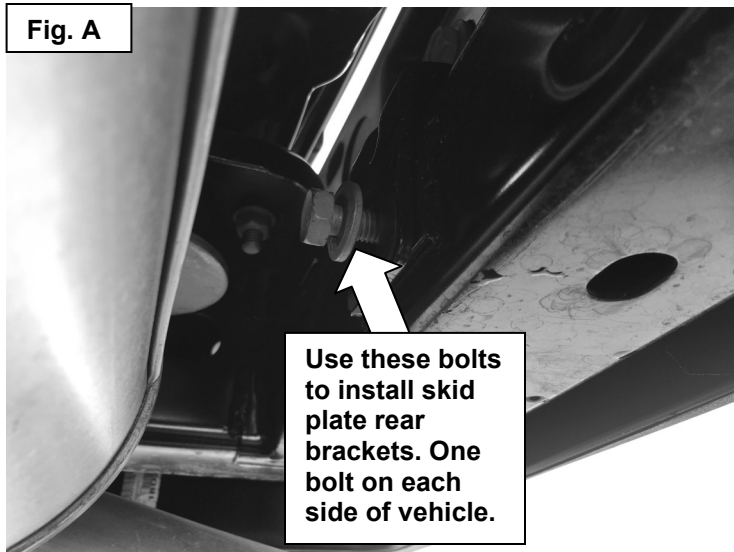


Thank you for choosing Westin products.

## PROCEDURE

1. Remove contents from box, verify if all parts listed are present and free from damage.  
Carefully read and understand all instructions before attempting installation.  
(This skid plate can be installed by one person but it is highly recommended to have assistance of a second person.)  
**Failure to identify damage before installation could lead to a rejection of any claim.**

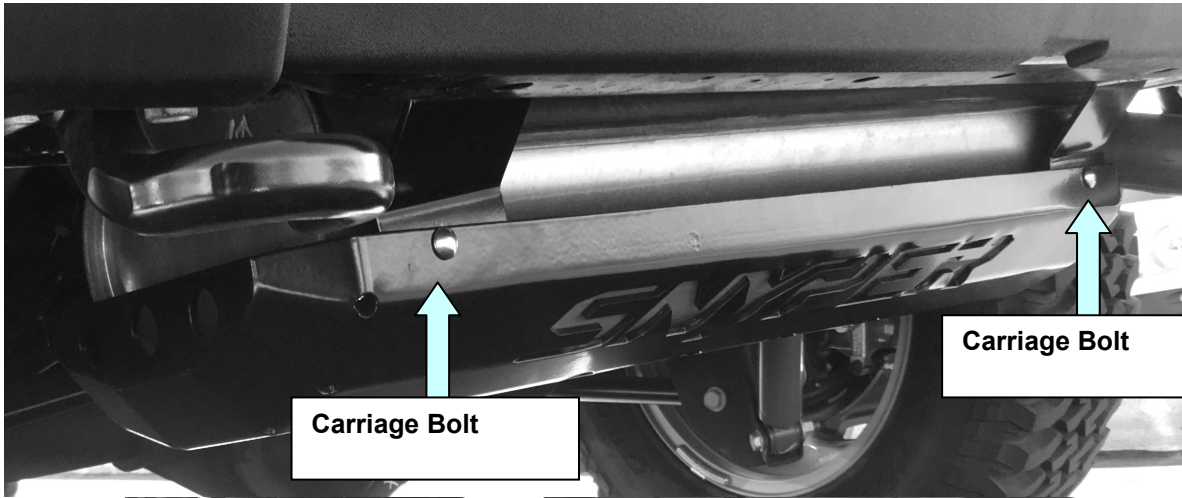
2. Locate M8 bolts on frame of vehicle and remove. These bolts are located towards the back of the vehicle behind the stock muffler. These bolts will be used to mount the rear brackets. See **Fig. A** and **Fig. B** for reference.



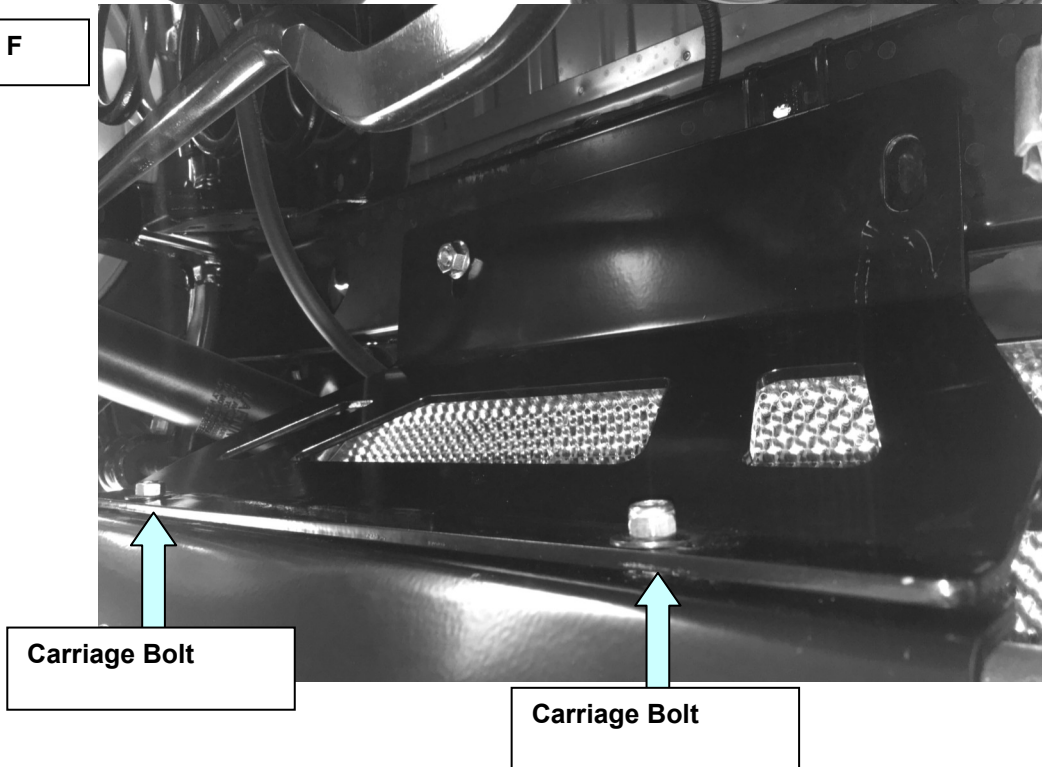
3. Insert supplied M12 bolt plate and hardware as shown on **Fig. B** and **Fig. D** to mount the front bracket. Tighten at the end to 50-55 ft-lbs.

4. Install carriage bolts and leave loose. Tighten to the recommended torque of 15-17 ft-lbs at the end. Please refer to **Fig. E** and **Fig F**.

**Fig. E**

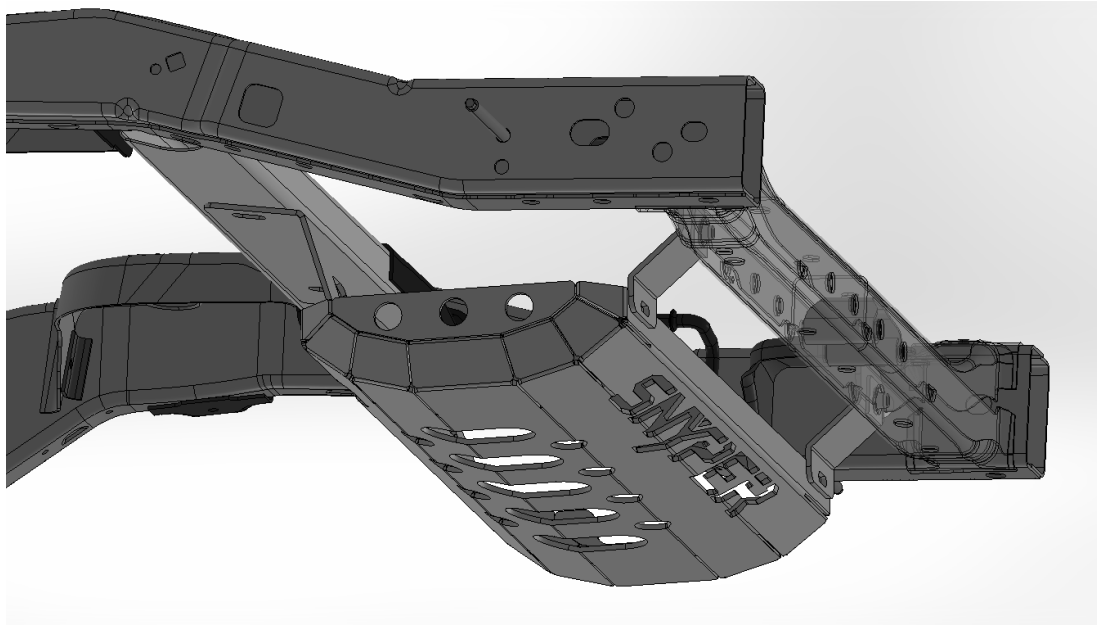


**Fig. F**



**CARE INSTRUCTIONS**

- REGULAR WAXING IS RECOMMENDED. DO NOT USE ANY TYPE OF POLISH OR WAX THAT MAY CONTAIN ABRASIVES.
- STAINLESS STEEL PRODUCTS CAN BE CLEANED WITH MILD SOAP AND WATER. STAINLESS STEEL POLISH SHOULD BE USED TO POLISH SMALL SCRATCHES.
- GLOSS BLACK FINISHES SHOULD BE CLEANED WITH MILD SOAP AND WATER.



**Installation Complete**

