

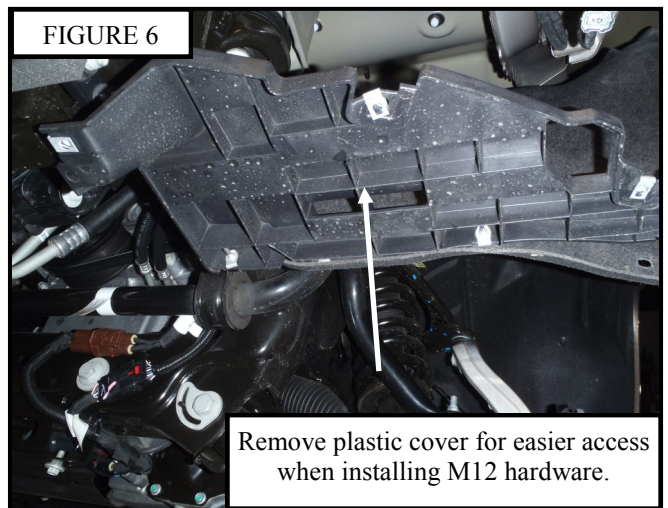
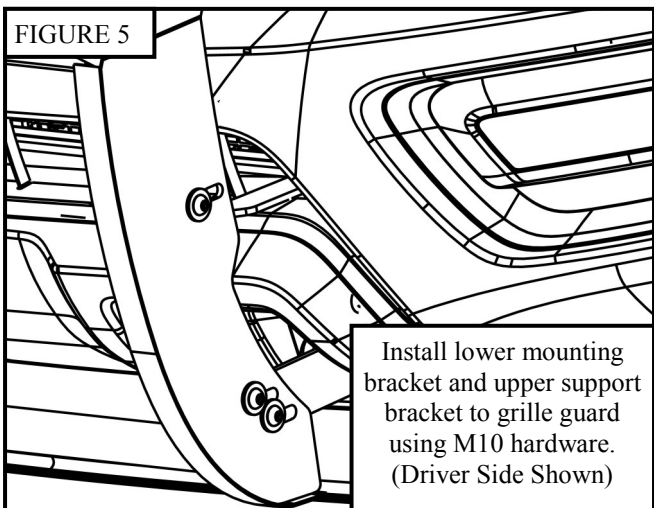
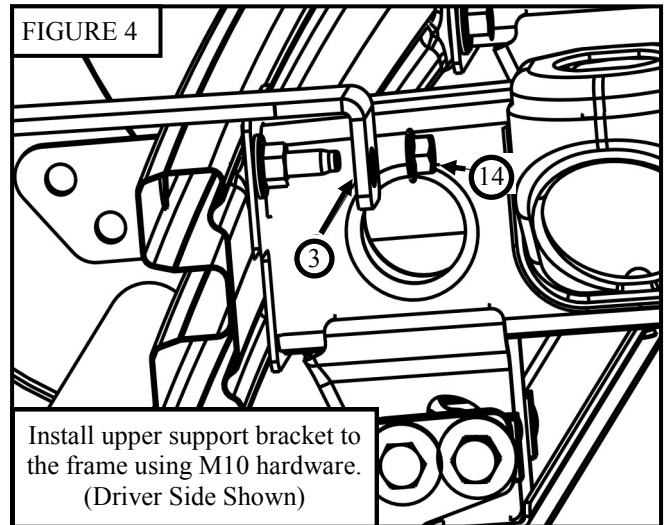
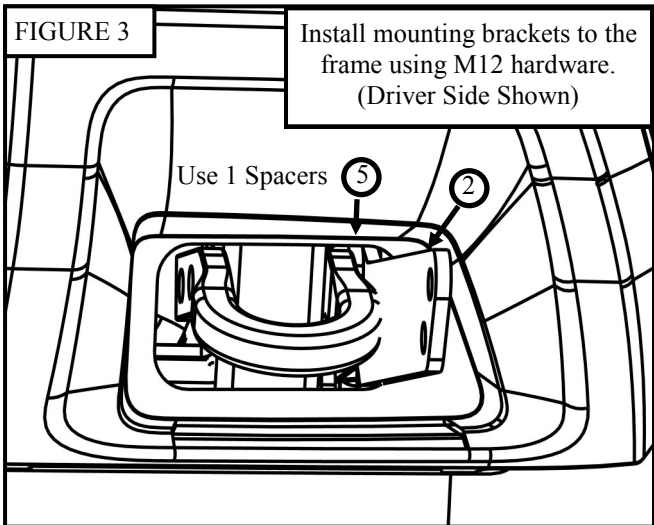
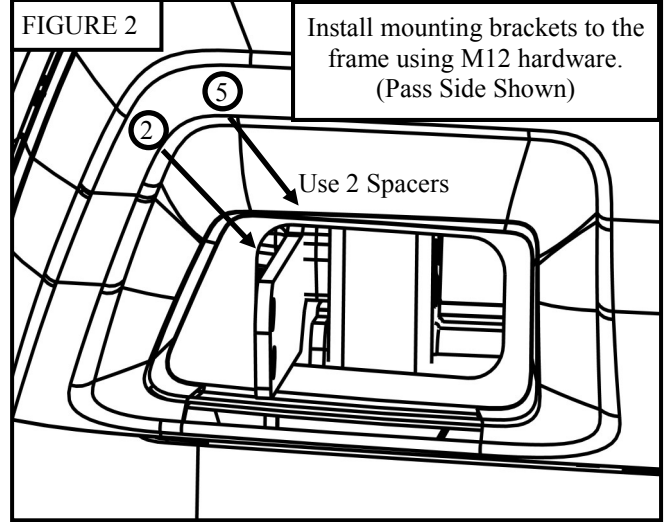
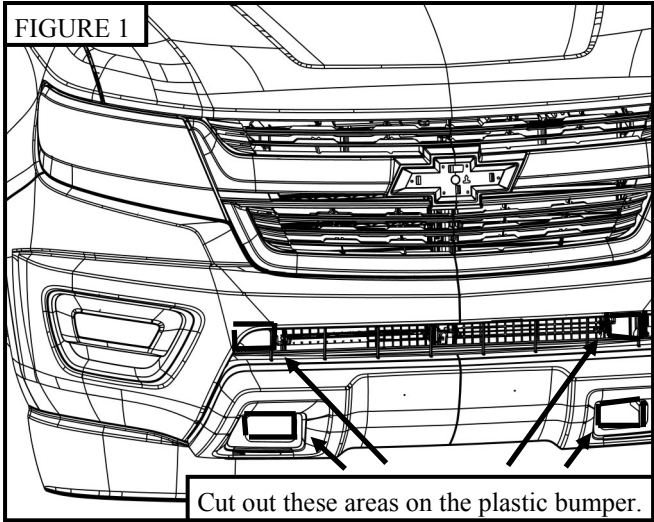
INSTALLATION INSTRUCTIONS

APPLICATION: SPORTSMAN GRILLE GUARD / 2015 & UP CHEVY COLORADO
APP PART #45-3840, 45-3845

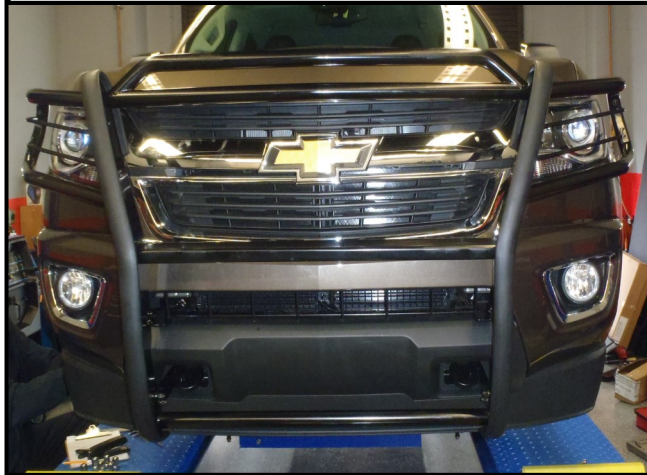
ITEM	QUANTITY	DESCRIPTION	TOOLS NEEDED
1	1	GRILLE GUARD ASSEMBLY	RATCHET
2	2	LOWER MOUNTING BRACKET	UTILITY KNIFE
3	1	DRIVER SIDE UPPER SUPPORT BRACKET	18MM SOCKET
4	1	PASSENGER SIDE UPPER SUPPORT BRACKET	15MM SOCKET
5	4	TWO HOLE SPACER	14MM SOCKET
6	4	M12 HEX CAP SCREW (YELLOW ZINC)	ALLEN WRENCH
7	4	M12 HEX NUT (YELLOW ZINC)	TORQUE WRENCH
8	4	M12 FLAT WASHER 32MM OD (YELLOW ZINC)	FLAT HEAD SCREW DRIVER
9	4	M12 FLAT WASHER 24MM OD (YELLOW ZINC)	
10	4	M12 SPLIT LOCK WASHER (YELLOW ZINC)	SOCKET EXTENS.
11	6	M10 HEX BUTTON HEAD SCREW (STAINLESS)	
12	6	M10 BELLVILLE WASHER (STAINLESS)	
13	6	M10 SERRATED FLANGE NUT (STAINLESS)	
14	2	M10 SERRATED FLANGE NUT (YELLOW ZINC)	

ANTI-SEIZE LUBRICANT MUST BE USED ON ALL STAINLESS STEEL FASTENERS TO PREVENT THREAD DAMAGE

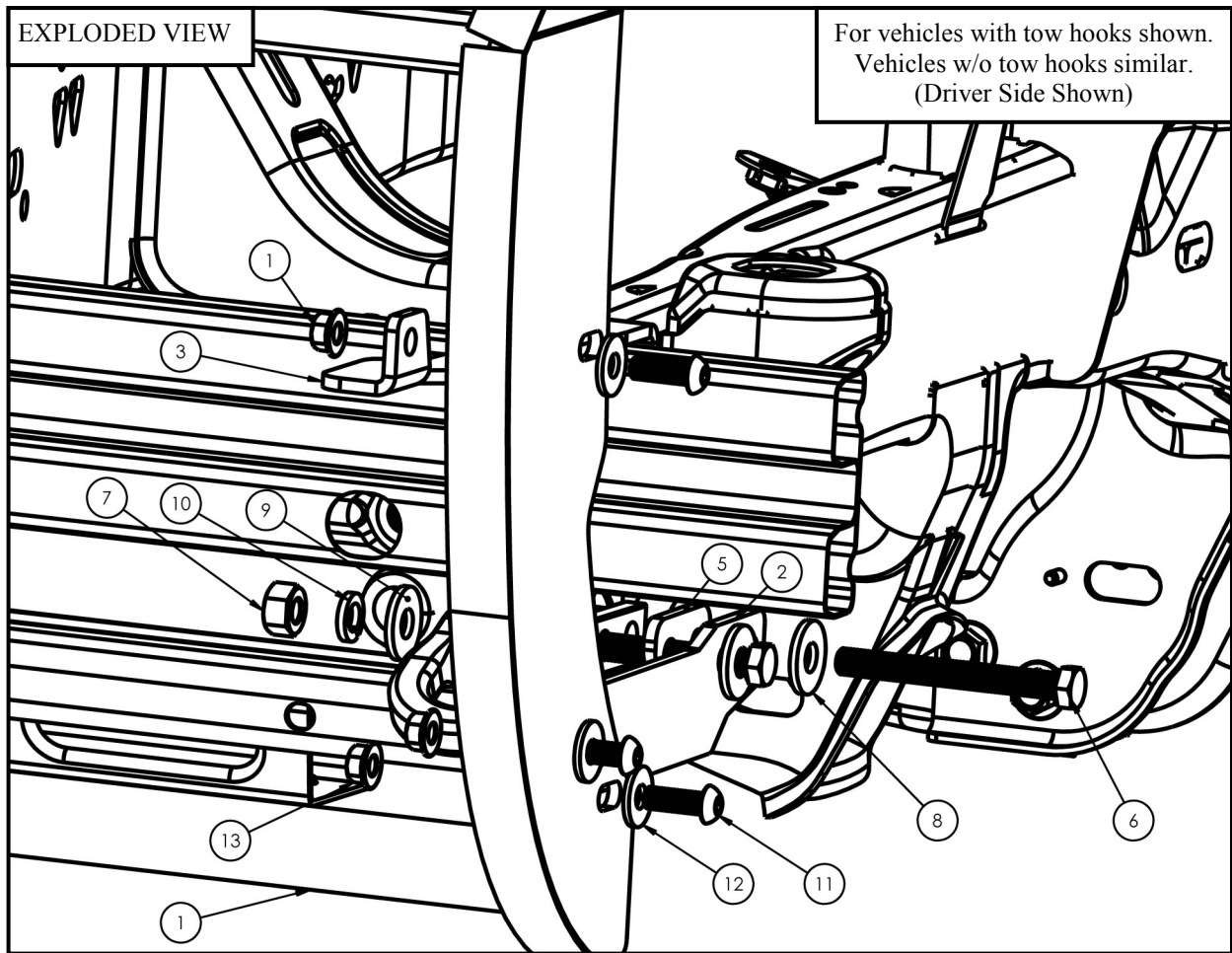
1. Remove contents from box, verify if all parts listed are present and undamaged. Carefully read and understand all instructions before attempting installation.
2. **For vehicles without factory tow hooks** trim the plastic in the areas in Figure 1. Repeat for the passenger side. (Note: For vehicles without tow hooks use 2 spacers per side)
3. **For vehicles without factory tow hooks** Loosely install the Lower Mounting Bracket using the supplied M12 hardware as shown in Figure 2. Repeat for passenger side. (Note: For easier access remove plastic covers see Figure 6)
4. **For vehicles with factory tow hooks** remove factory hardware. Loosely install one spacer between tow hook and mounting bracket with supplied M12 hardware. Repeat for drivers side. (See Figure 3)
5. Trim plastic behind grille opening in Figure 1. Loosely install upper support brackets using supplied M10 hardware. When fastening upper support bracket to A-frame, set the bracket flush with the back of factory welded nut. (Note: Do not remove factory welded nut, see Figure 4)
6. With assistance hold the Grille Guard up to the previously installed brackets. Loosely attach the Grille Guard to the brackets using the supplied M10 hardware. (See Figure 5)
7. Align and adjust the Grille Guard as necessary. Tighten and torque all hardware : M10 to 20-25 ft-lbs., M12 to 50-55 ft-lbs.



Installation Complete



EXPLODED VIEW



CARE INSTRUCTIONS

- REGULAR WAXING IS RECOMMENDED. DO NOT USE ANY TYPE OF POLISH OR WAX THAT MAY CONTAIN ABRASIVES.
- STAINLESS STEEL PRODUCTS CAN BE CLEANED WITH MILD SOAP AND WATER. STAINLESS STEEL POLISH SHOULD BE USED TO POLISH SMALL SCRATCHES.
- GLOSS BLACK FINISHES SHOULD BE CLEANED WITH MILD SOAP AND WATER.



Thank You for choosing Westin products.