



## INSTALLATION INSTRUCTIONS

**2006-12 Toyota FJ Cruiser**

**Part # 45-2210, 40-2215**

**PARTS LIST:**

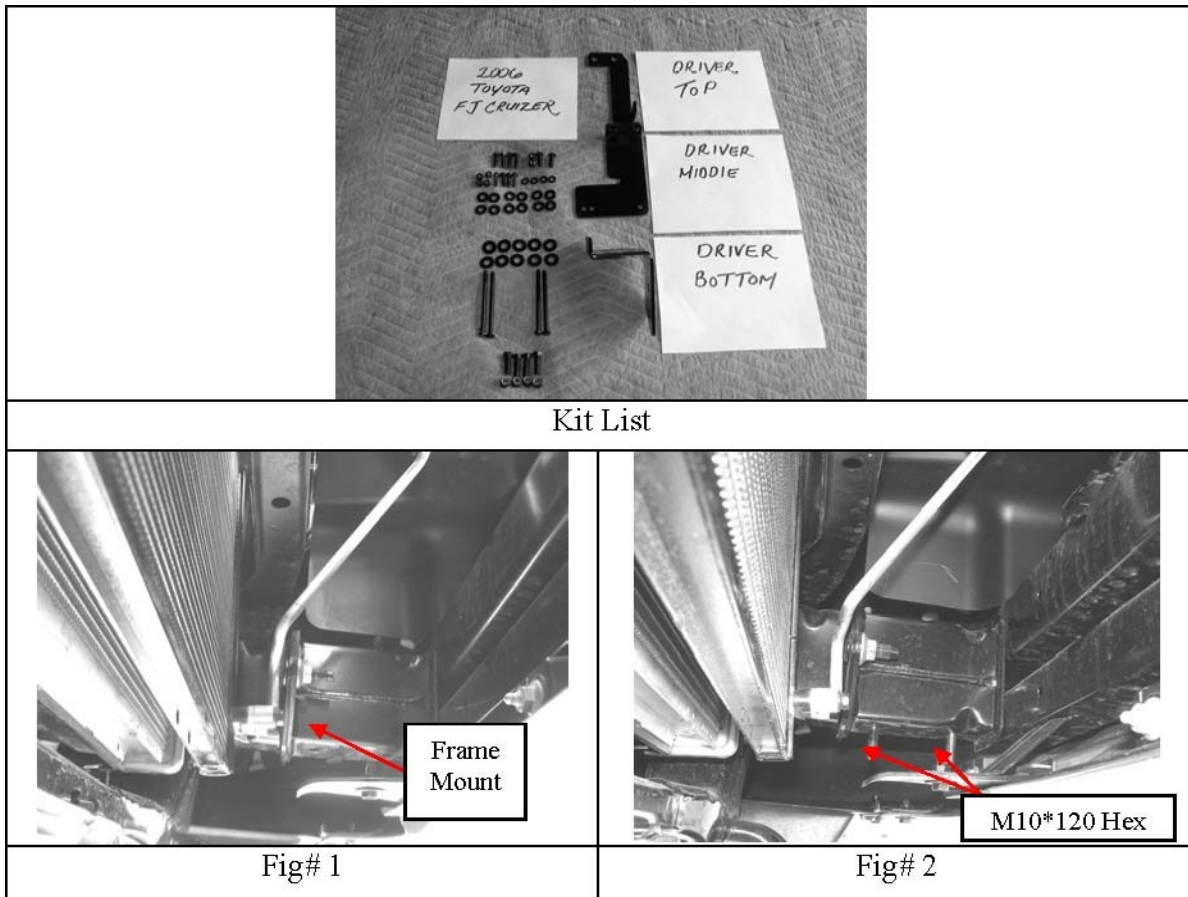
|   |                                       |
|---|---------------------------------------|
| 1 | Grille Guard                          |
| 2 | Lower Bracket (Driver and Passenger)  |
| 2 | Middle Bracket (Driver and Passenger) |
| 2 | Top Bracket (Driver and Passenger)    |
| 4 | M10*120 Hex Head Bolt, Yellow Zinc    |
| 4 | M10 Lock Washer, Yellow Zinc          |
| 8 | M10 Flat Washer, Yellow Zinc          |
| 4 | M10 Nut, Yellow Zinc                  |
| 4 | M12*35 Hex Head Bolt, Stainless Steel |
| 4 | M12 Lock Washer, Stainless Steel      |
| 8 | M12 Flat Washer, Stainless Steel      |
| 4 | M12 Nut, Stainless Steel              |
| 4 | M8*25 Hex Head Bolt, Yellow Zinc      |
| 4 | M8 Flat Washer, Yellow Zinc           |
| 4 | M8 Lock Washer, Yellow Zinc           |
| 2 | M10*35 Hex Head Bolt, Stainless Steel |
| 2 | M10 Lock Washer, Stainless Steel      |
| 4 | M10 Flat Washer, Stainless Steel      |
| 2 | M10 Nut, Stainless Steel              |
| 4 | M6 Lock Washer, Yellow Zinc           |
| 4 | M6*30 Hex Head Bolt, Yellow Zinc      |
| 4 | M6 Flat Washer, Yellow Zinc           |

**Note:** Westin advises the installer to use a thread lubricant on all stainless hardware.

**PROCEDURE:**

1. Remove contents from box and check for damage. Verify all parts are present. Read instructions carefully.
2. Locate frame mount for lower bracket (Driver side shown, See Fig #1). Insert from the top of the frame rail M10\*120 hex head bolts and M10 flat washers as shown (See Fig #2). Install lower bracket using M10 hex nuts, M10 flat washers, and M10 lock washers (See Fig #3), leave loose. Repeat procedure for opposite side
3. Remove grille from vehicle for clearance and set aside. See Fig#4

4. Install middle bracket onto radiator support (Driver and Passenger) using M6\*30mm hex head bolts, M6 flat washers, M6 lock washers and tighten. (Driver Side shown, see Fig #5)
5. Reinstall grille onto vehicle.
6. Insert top bracket in between bumper and grille (See Fig #6) Align and install top bracket onto middle bracket using M8\*25 hex head bolts, M8 flat washers, and M8 lock washers. Leave Loose (Driver side shown, see Fig #6 & 7). Repeat procedure for opposite side.
7. Install grille guard onto vehicle starting with lower brackets, using M12\*35 hex head bolts, M12 hex nuts, M12 flat washers, M12 lock washers, then using M10\*25 button head bolts, M10 hex nuts, M10 lock washers, and M10 flat washers onto top brackets. Leave Loose (See Fig #8)
8. Level and adjust grille guard as desired then tighten fasteners.



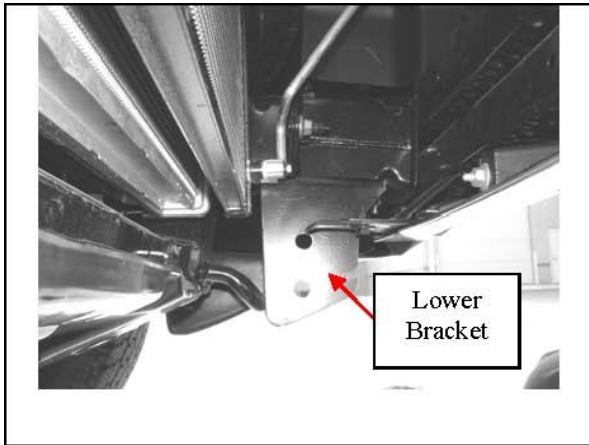


Fig #3



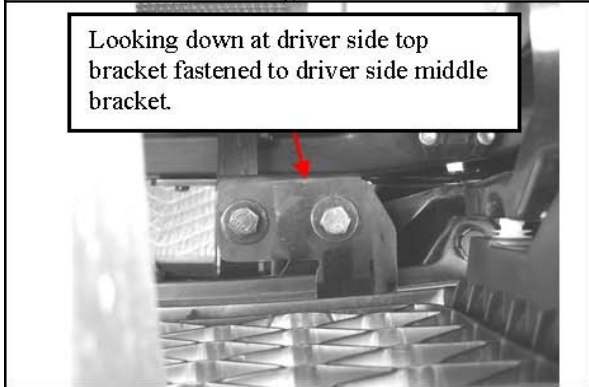
Fig# 4



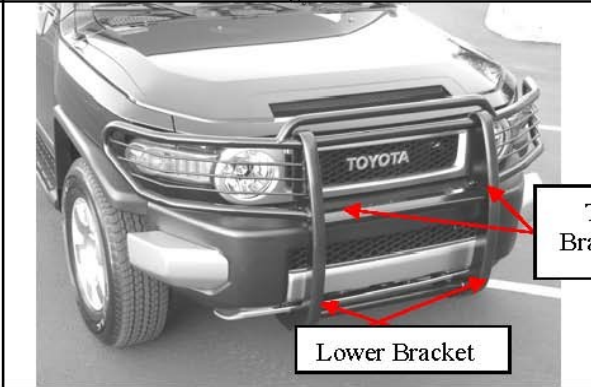
Fig #5



Fig#6



Fig# 7



Fig# 8