



INSTALLATION INSTRUCTIONS
2003-07 GMC Sierra Classic 1500 LD
Part # 45-1220, 40-1225

PART LIST

2	Lower Brackets
2	Upper Brackets
12	M12 Flat Washer, Stainless Steel
8	M12 Flat Washer, Yellow Zinc
6	M12 Hex Nut, Stainless Steel
4	M12 Hex Nut, Yellow Zinc
6	M12 Lock Washer, Stainless Steel
4	M12 Lock Washer, Yellow Zinc
6	M12*40 Hex Head Bolt, Stainless Steel
4	M12*40 Hex Head Bolt, Yellow Zinc
4	M6 Flat Washer, Stainless Steel
2	M6 Hex Nut, Stainless Steel
2	M6 Lock Washer, Stainless Steel
2	M6*20 Hex Head Bolt, Stainless Steel
2	M8 Flat Washer, 7mm Thick, Yellow Zinc
4	M8 Flat Washer, Yellow Zinc
2	M8 Hex Nut, Yellow Zinc
2	M8 Lock Washer, Yellow Zinc
2	M8*40 Hex Head Bolt ,Yellow Zinc

Note: Westin Automotive advises the installer to use a thread lubricant on all stainless steel fasteners.

PROCEDURE:

1. Remove the contents from box and verify all parts are present. Read instructions completely before beginning.
2. Remove factory tow hooks from vehicle (if equipped).
3. Attach the lower brackets as shown in figure 1. Use the Yellow Zinc M12 bolts and hardware supplied. Hand-tighten only to allow for adjustment.
4. Attach the grille guard to the lower brackets using the Stainless Steel M12 bolts and hardware supplied as shown in figure 1. Hand-tighten only.
5. Install upper brackets as shown in figure 2. This can be accomplished without removing the grille but the grille should be removed if more room is required.
6. Align the grille guard and secure all fasteners.

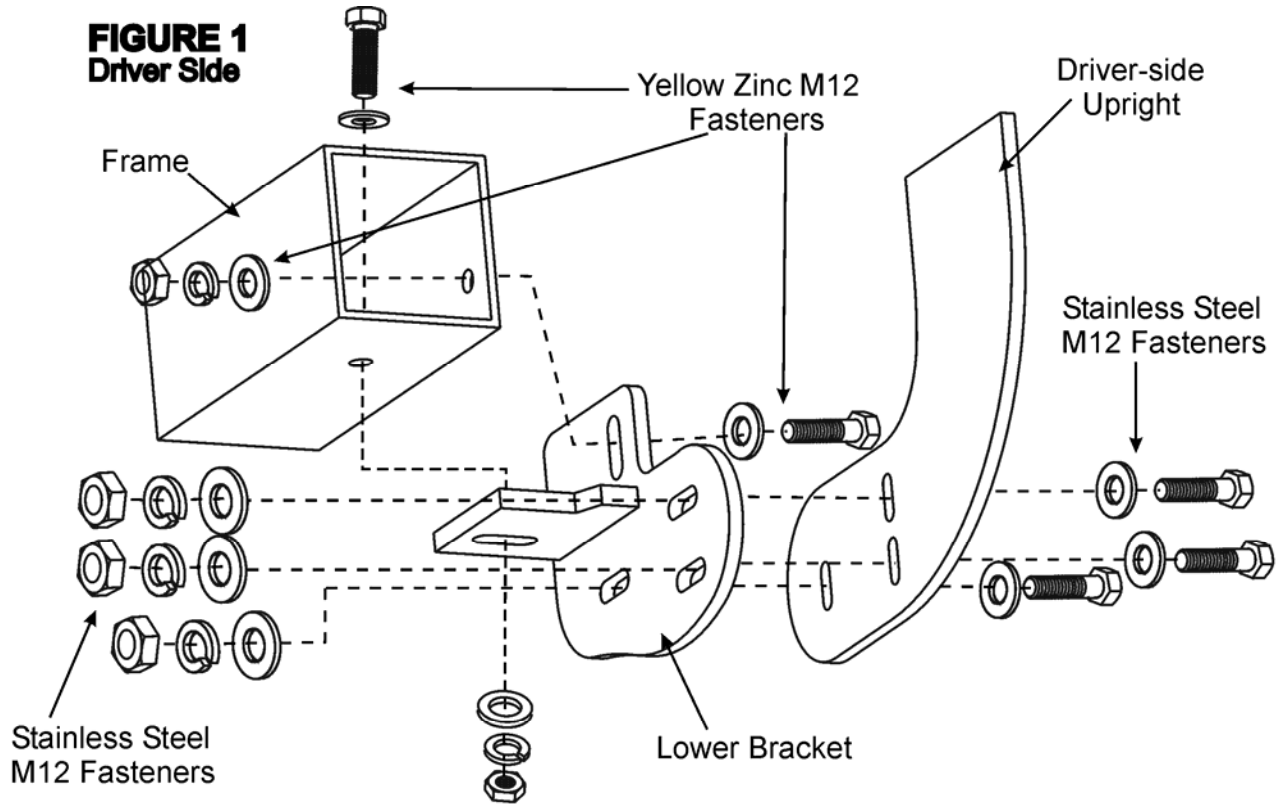


FIGURE 2 View from top

