

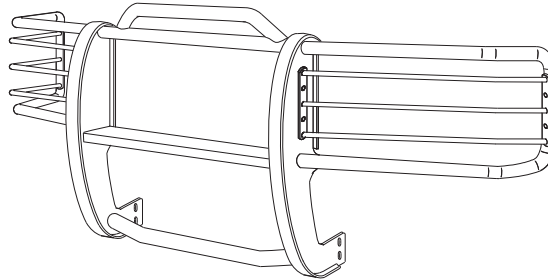


AUTOMOTIVE PRODUCTS, INC.

INSTALLATION INSTRUCTIONS

APPLICATION: 2001-04 EXPLORER SPORT 2DR
 2001-04 EXPLORER SPORT TRAC
 2/4 WHEEL DRIVE

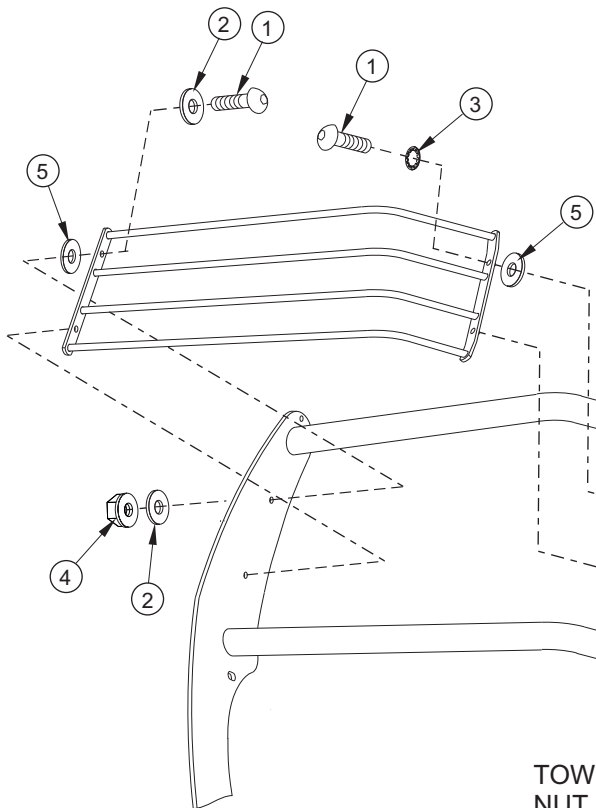
SPORTSMAN
 ASSEMBLY
40-0805



PARTS KIT CONTENTS

ITEM	QTY	PARTS KIT CONTENTS	
		DESCRIPTION	TOOLS REQUIRED
1	1	SPORTSMAN ASSEMBLY	3/4" SOCKET
2	2	LIGHT GUARD ASSEMBLY	3/4" WRENCH
3	2	BRACKET, PASSENGER AND DRIVER	7/16" WRENCH
4	8	1/2-13 X 1.25" HEX HEAD BOLT	5/32" HEX WRENCH
5	16	1/2" FLAT WASHER	15MM SOCKET
6	8	1/2" LOCK WASHER	10MM SOCKET
7	8	1/2-13 HEX NUT	8MM SOCKET
			RATCHET
			TORQUE WRENCH

- STEP 1. Remove the contents from box and check for damage. Verify all parts are present. Read instructions completely before beginning.
- STEP 2. Attach light guard assemblies as shown. **SEE FIGURE 1.**
- STEP 3. From underside of vehicle and behind bumper, remove four 8mm bolts and three 6mm bolts that secure the plastic shroud.
- STEP 4. Determine passenger and driver brackets. Remove tow hooks using a 15mm socket. **SEE FIGURE 2.**
NOTE: Vehicles without tow hooks, attach mounting brackets to frame using 1/2" fasteners. Install bolts through existing holes in "L" Bracket on the side of the frame. **SEE FIGURE 2.**
- STEP 5. Position bracket between vehicle frame and tow hook and attach using existing tow hook bolts. Hand tighten.
- STEP 6. With Sportsman lying front side down in front of vehicle, align lower bracket slot and Sportsman slot. Fasten using 1/2" fasteners on each side. Hand tighten. Rotate Sportsman up slowly toward vehicle until remaining slots in bracket and Sportsman line-up. Fasten together using remaining 1/2" hardware. Hand tighten.
- STEP 7. Center and level Sportsman with vehicle. Torque tow hook bolts to 75 Ft. Lbs and 1/2" bolts to 65 Ft. Lbs.
- STEP 8. Reinstall plastic shroud previously removed. Torque 8MM bolts to 87 In. Lbs. and 6MM Bolts to 36 In. Lbs.



ITEM	QTY.	DESCRIPTION
1	8	1/4-20 X 1.00" BUTTON HEAD BOLT
2	8	1/4" FLAT WASHER
3	4	1/4" INTERNAL TOOTH LOCK WASHER
4	4	1/4-20 NYLON NUT
5	8	RUBBER WASHER

NOTE: ALL FASTENERS MAY NOT BE USED.

FIGURE 1
LIGHT GUARD INSTALLATION

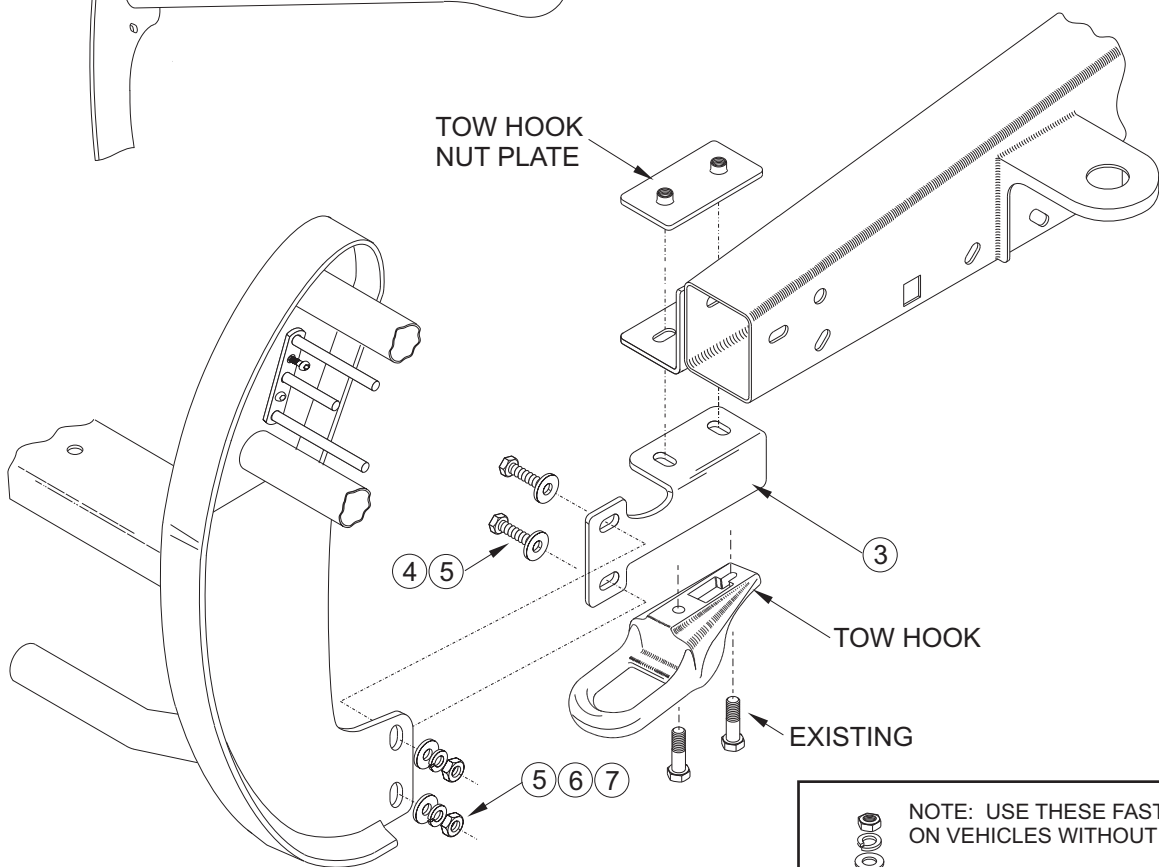


FIGURE 2
INSTALLATION VIEW OF DRIVER SIDE,
PASSENGER SIDE OPPOSITE

	NOTE: USE THESE FASTENERS ON VEHICLES WITHOUT TO HOOKS.

Finish protection - Westin products have a high quality finish that must be cared for like any other exposed finish on the vehicle. Protect the finish with a non-abrasive automotive wax (pure carnauba, for example) on a regular basis. The use of cleaner wax or any compound which contains an abrasive is detrimental, as the compounds scratch the finish and open it to corrosion.



Thank You for choosing Westin products.