



INSTALLATION INSTRUCTIONS
1999-04 Ford Superduty
2000-04 Excursion
Part # 45-0220, 40-0225

PART LIST

6	M12*40 Hex Head Bolt, Stainless Steel
12	M12 Flat Washer, Stainless Steel
6	M12 Hex Nut, Stainless Steel
6	M12 Lock Washer, Stainless Steel

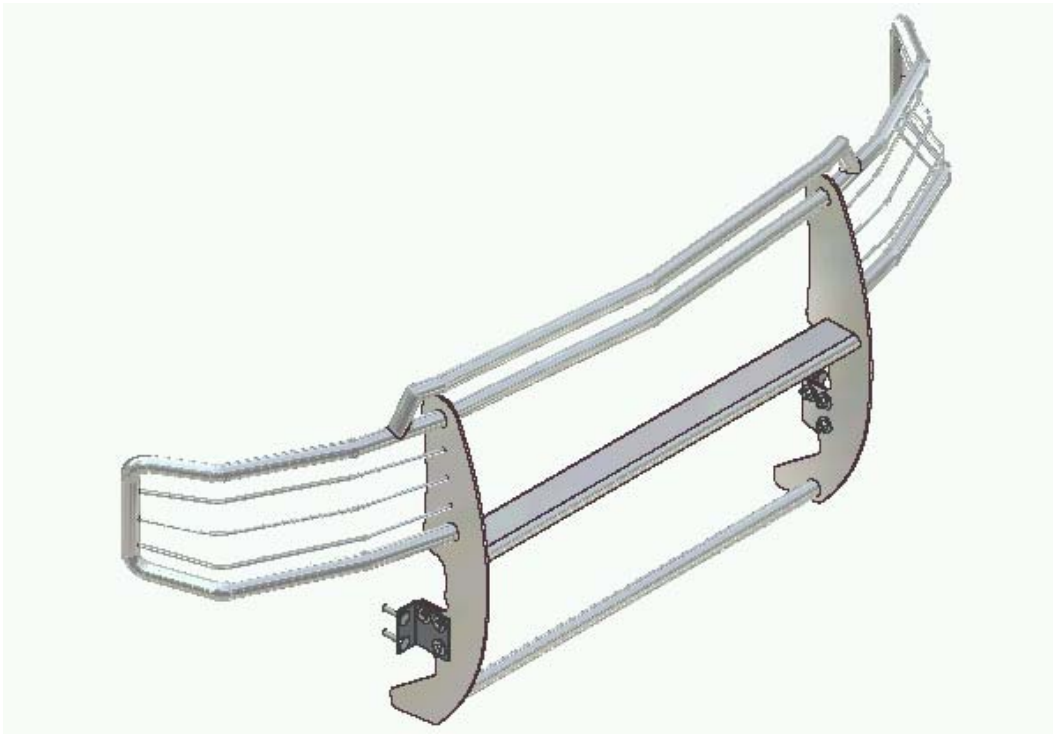
Note: Westin Automotive advises the installer to use a thread lubricant on all of the stainless steel fasteners.

PROCEDURE

1. Remove contents from box and verify all parts are present. Read instructions completely before beginning.
2. Remove two factory bolts from each side of the front of the vehicle. Attach passenger side Frame Mount Bracket to vehicles front bumper and secure with the factory bolts that were just removed, hand tighten.

Note: You must install one bracket at a time to keep bumper from dropping too low.

3. Repeat for driver-side Frame Mount Bracket.
4. Line up the 3 holes on the lower portion of the Grille Guard with the 3 holes on the inside of each of the Frame Mount Brackets and attach using three M12 hex bolts, six M12 flat washers, three M12 lock washers, and three M12 hex nuts for each side, hand tighten.
5. Center and align Grille Guard on vehicle. Tighten all fasteners at this time.



Fully Assembled View

