



INSTALLATION INSTRUCTIONS

SENSOR RELOCATOR

APPLICATION:

2014-2017 Dodge Ram 1500/2500/3500

AUTOMOTIVE PRODUCTS

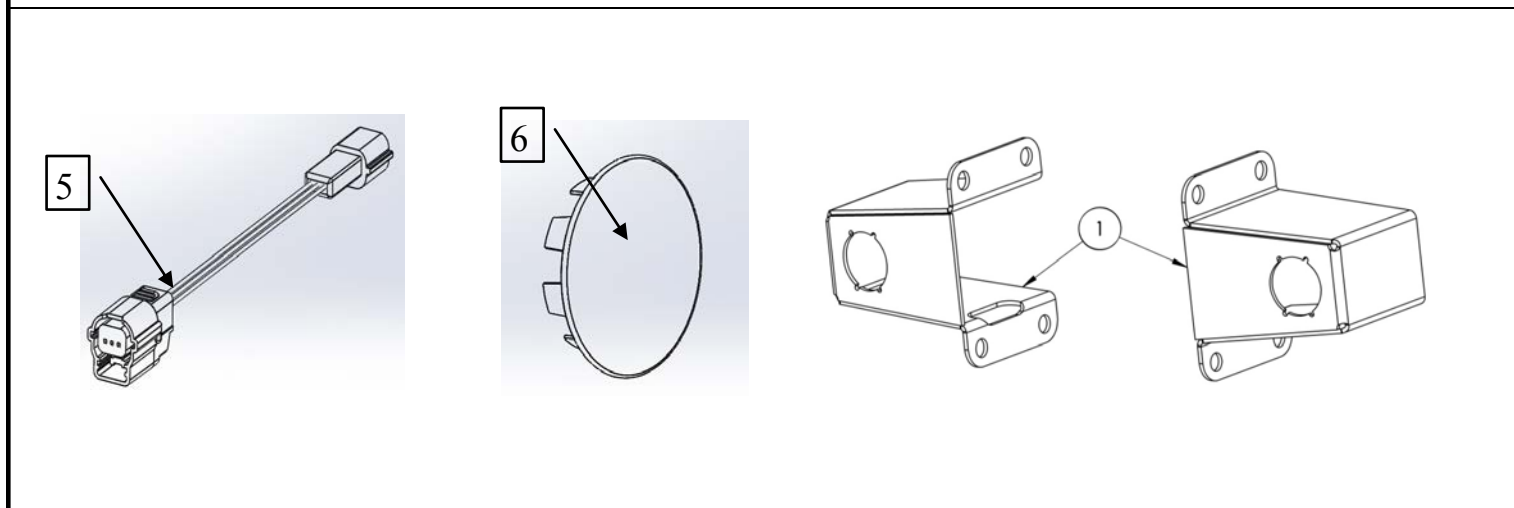
PART NUMBER:

45-0015S, 40-0010S

(HDX Grille Guard applications require 2 sets of 2 relocators)

ITEM	QUANTITY	DESCRIPTION	TOOLS NEEDED
1	2	SENSOR POD	10MM SOCKET
2	8	M6 HEX SOCKET BUTTON HEAD SCREW	10MM WRENCH
3	8	M6 SERRATED FLANGE NUT	TORQUE WRENCH
4	8	M6 FLAT WASHER	DRILL
5	2	SENSOR HARNESS	5/16" DRILL BIT
6	2	15/16" NICKEL PLATED CAP	RATCHET
7	2	RUBBER GROMMET	

ANTI-SEIZE LUBRICANT MUST BE USED ON ALL STAINLESS STEEL FASTENERS TO PREVENT THREAD DAMAGE AND GALLING



PROCEDURE

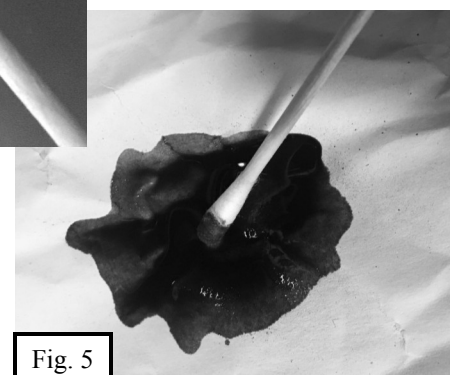
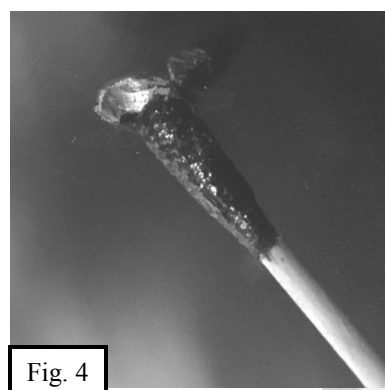
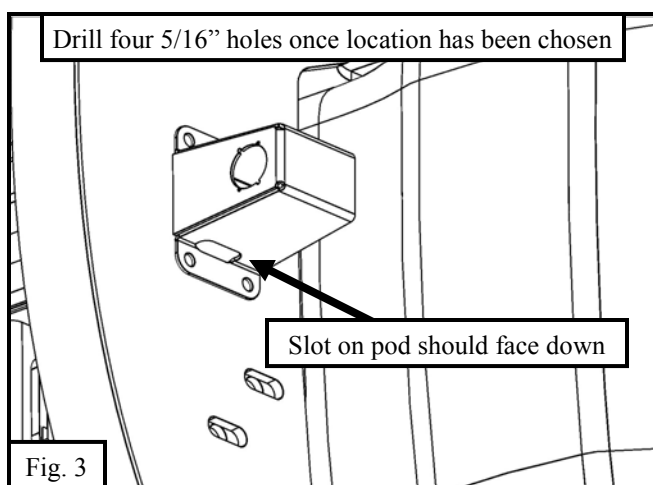
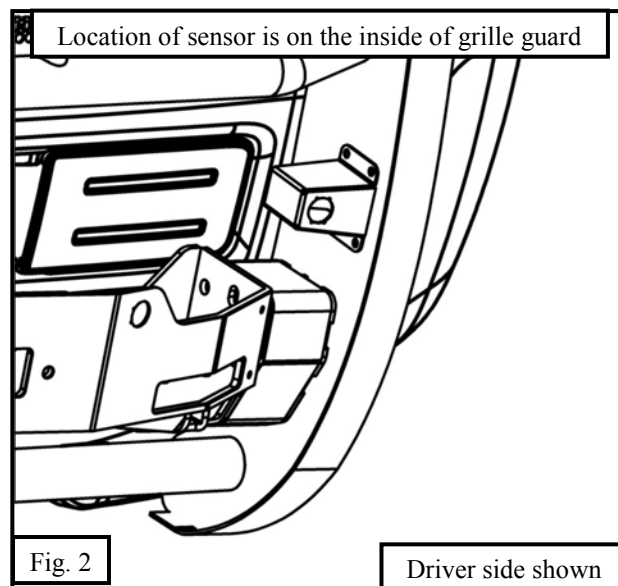
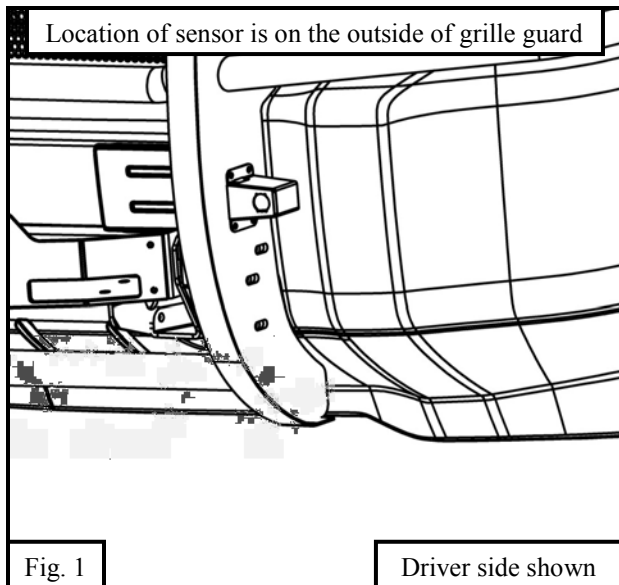
1. Remove contents from box, verify if all parts listed are present and free from damage. Carefully read and understand all instructions before attempting installation.
Failure to identify damage before installation could lead to a rejection of any claim.

CARE INSTRUCTIONS

- REGULAR WAXING IS RECOMMENDED. DO NOT USE ANY TYPE OF POLISH OR WAX THAT MAY CONTAIN ABRASIVES.
- STAINLESS STEEL PRODUCTS CAN BE CLEANED WITH MILD SOAP AND WATER. STAINLESS STEEL POLISH SHOULD BE USED TO POLISH SMALL SCRATCHES.
- GLOSS BLACK FINISHES SHOULD BE CLEANED WITH MILD SOAP AND WATER.



2. Determine the sensors that are being blocked by the grille guard. Under the vehicle behind the front bumper, locate the wires that connect to the sensors and carefully remove them from the sensors. **Note:** Before removing sensors make sure to take note of their orientation. The sensors must be installed onto the sensor pod (Item 1) in the same orientation that the sensors were on the front bumper.
3. Locate sensor pod (Item 1) and align it up to the grille guard. Align the sensor pod on the grille guard so that the sensor pod is approximately the same height of where the sensor was located on the bumper. **See Fig. 1 & 2.** **Note:** Sensor pod slot should face down. **See Fig. 3.**
4. Once the location for the sensor pod has been chosen, drill four 5/16" holes onto the grille guard. **Note:** On black grille guards, paint holes to prevent corrosion. Use black paint and a cotton swab to dab the paint in the holes. **See Fig. 4.** For a S/S Grille Guards, touch up paint is not necessary but a cobalt drill bit is recommended.



5. Remove OEM sensor and plastic sensor retainer from the vehicle's bumper. Use the nickel plated hole plugs to cover holes on bumper. Their tabs need to be bent with a screwdriver to retain them. You may spray paint them any color you desire.
6. You may also use rubber grommets on holes on bumper and route harness through it.
7. Loosely mount the sensor pod onto the grille guard using the provided M6 hardware.
8. Insert the OEM sensor and plastic sensor retainer into the sensor pod in the same orientation that the sensor was on the bumper. **See Fig. 5.** Using extension harness included in kit (Item 5) safely reconnect the sensor.
9. Repeat steps for other sensors to be relocated.
10. Align and adjust the sensor pods as necessary and then tighten M6 hardware to 10 ft-lbs.

