

INSTALLATION INSTRUCTIONS

ULTIMATE BULL BAR, ULTIMATE LED BULL BAR



APPLICATION:

2019 Ford Ranger

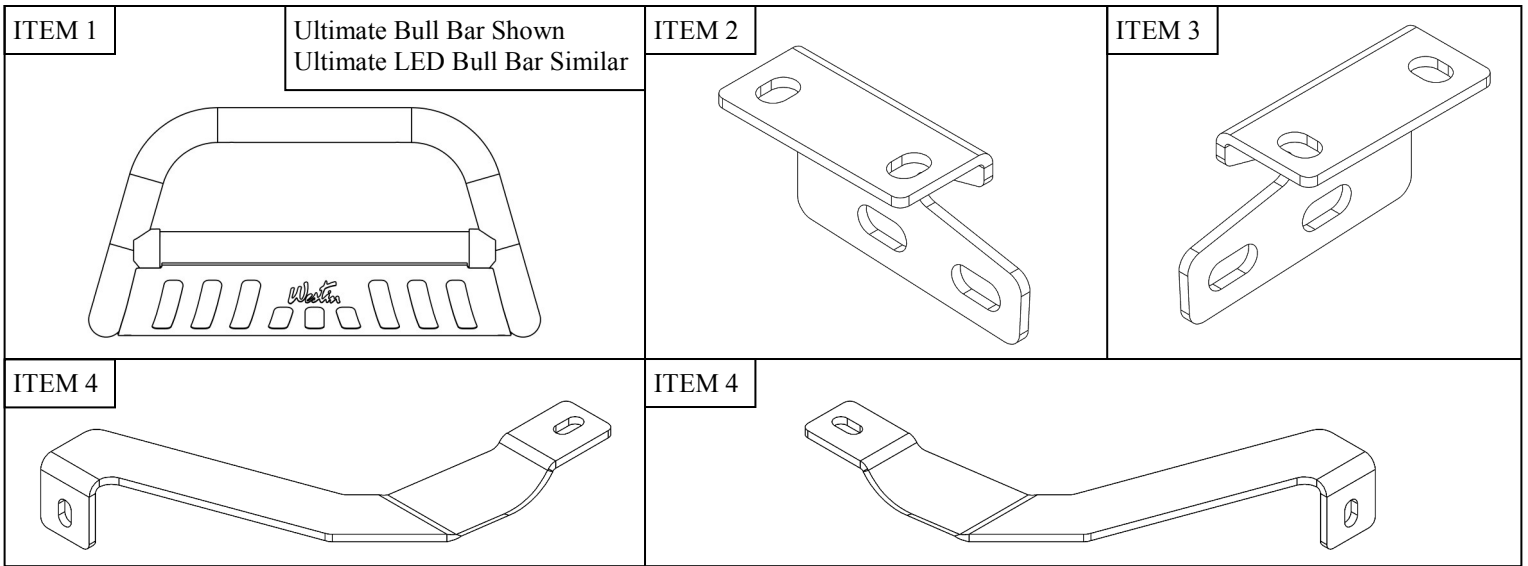
PART NUMBER:

32-3980, 32-3980L, 32-3985, 32-3985L

CONTENT			
ITEM	QUANTITY	DESCRIPTION	TOOLS NEEDED
1	1	BULL BAR	13MM SOCKET
2	1	DRIVER MOUNTING BRACKET	18MM SOCKET
3	1	PASSENGER MOUNTING BRACKET	14MM WRENCH
4	1	DRIVER SUPPORT STRAP	19MM WRENCH
5	1	PASSENGER SUPPORT STRAP	7/32" ALLEN KEY
6	4	M10 HEX HEAD BOLT (BLACK ZINC)	RATCHET
7	4	M10 SPLIT LOCK WASHER (BLACK ZINC)	TORQUE WRENCH
8	4	M10 FLAT WASHER (BLACK ZINC)	CUTTING TOOL
9	4	M10 SERRATED FLANGE NUT (BLACK ZINC)	
10	2	3/8" BUTTON HEAD BOLT (BLACK ZINC)	
11	2	3/8" SPLIT LOCK WASHER (BLACK ZINC)	
12	2	3/8" FLAT WASHER (BLACK ZINC)	
13	4	M12 HEX HEAD BOLT (YELLOW ZINC)	
14	4	M12 SPLIT LOCK WASHER (YELLOW ZINC)	
15	4	M12 FLAT WASHER (YELLOW ZINC)	
16	2	M8 HEX HEAD BOLT (YELLOW ZINC)	
17	2	M8 SPLIT LOCK WASHER (YELLOW ZINC)	
18	2	M8 FLAT WASHER (YELLOW ZINC)	

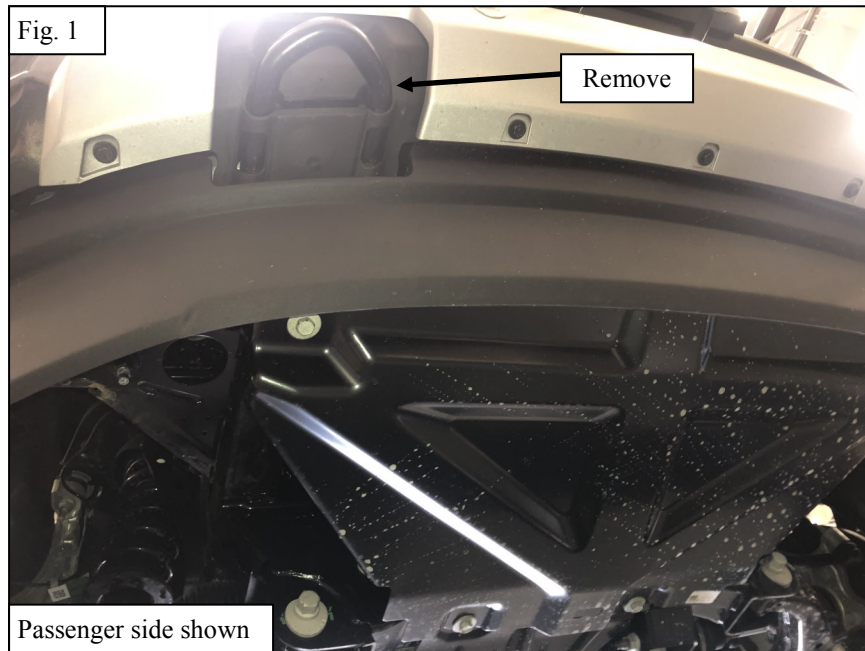
ANTI-SEIZE LUBRICANT MUST BE USED ON ALL STAINLESS STEEL FASTENERS TO PREVENT THREAD DAMAGE AND GALLING



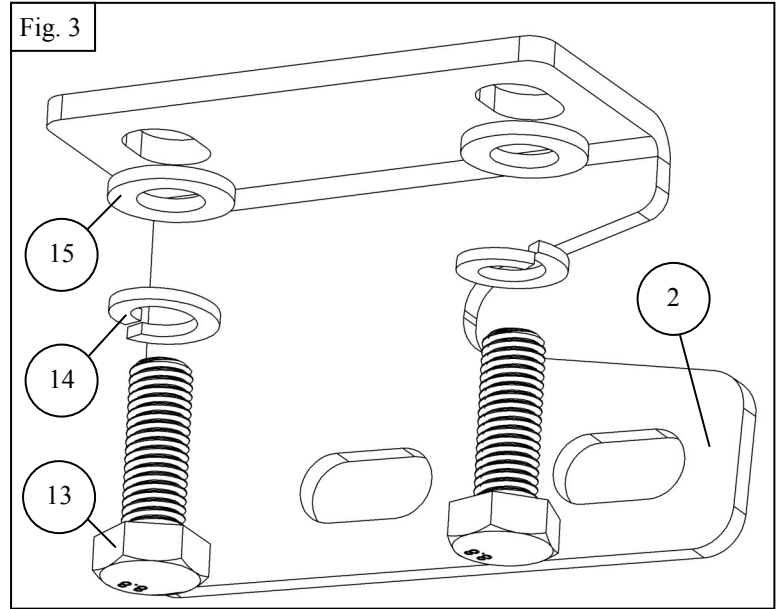
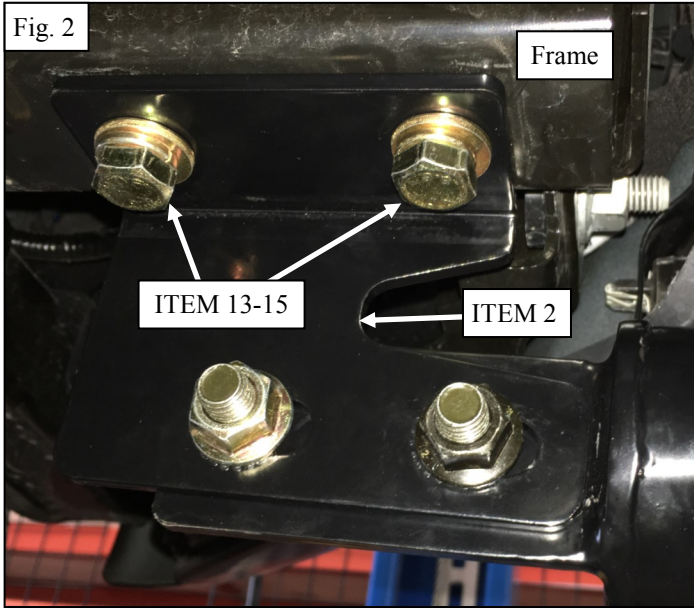


PROCEDURE

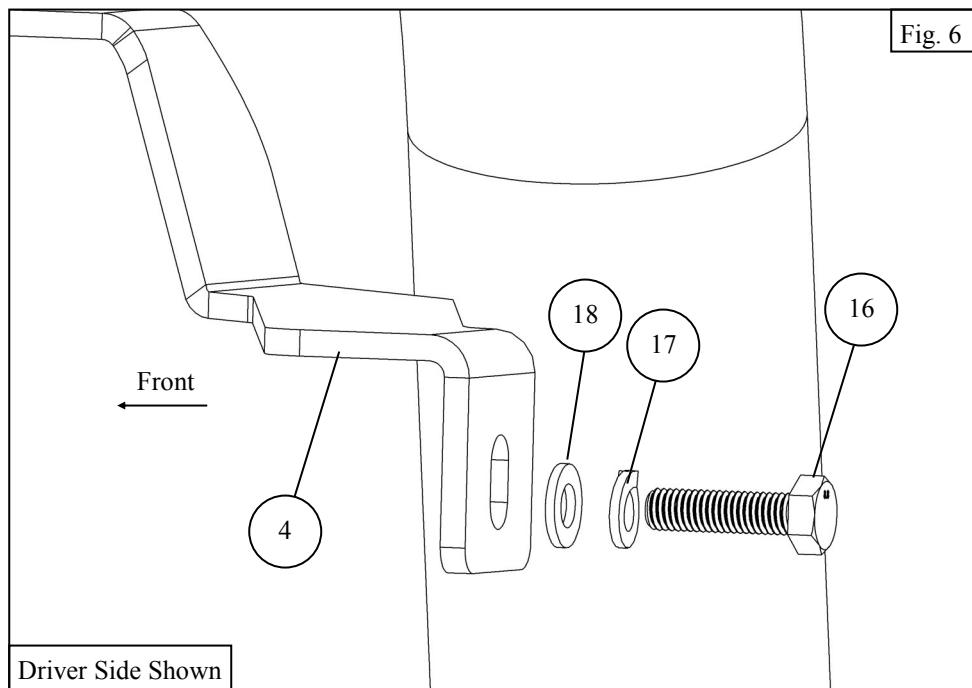
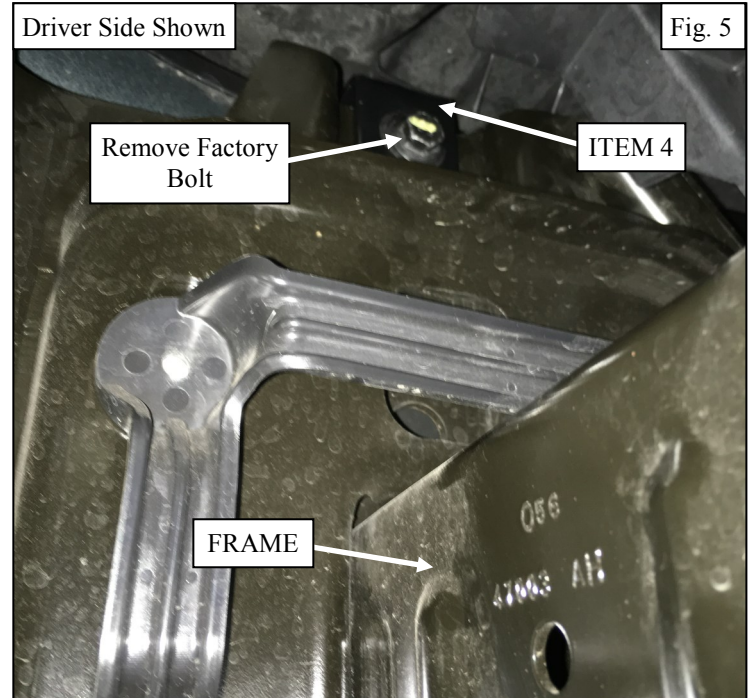
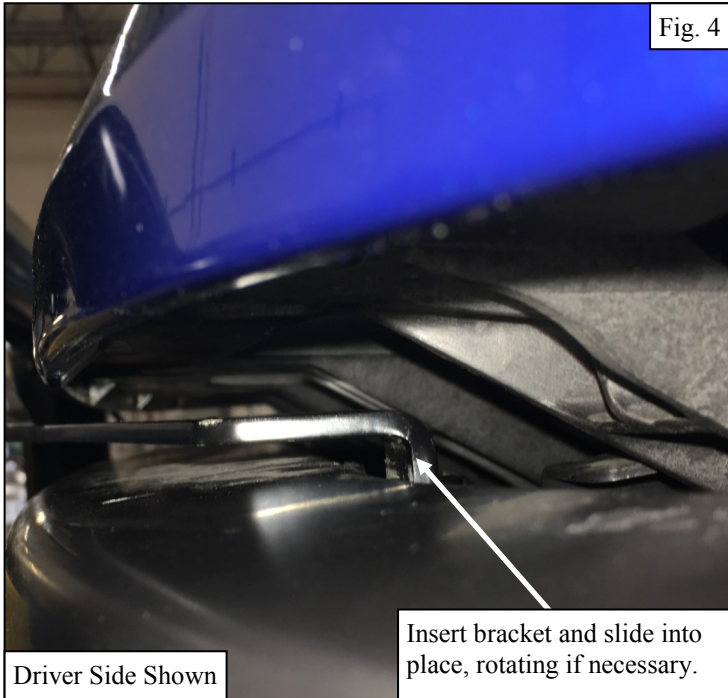
1. Remove contents from box, verify if all parts listed are present and free from damage. Carefully read and understand all instructions before attempting installation.
Failure to identify damage before installation could lead to a rejection of any claim.
2. If equipped, remove the factory tow hooks. See **Figure 1**. *Note: Factory tow hooks cannot be re-used.*



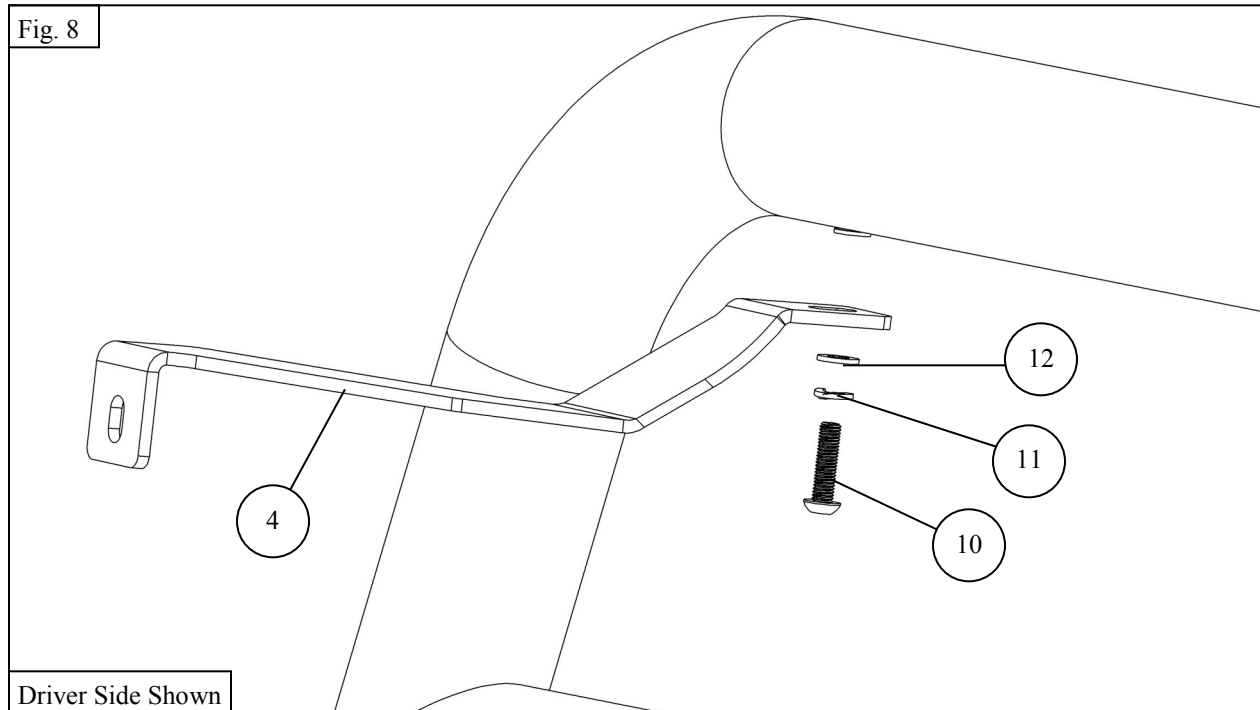
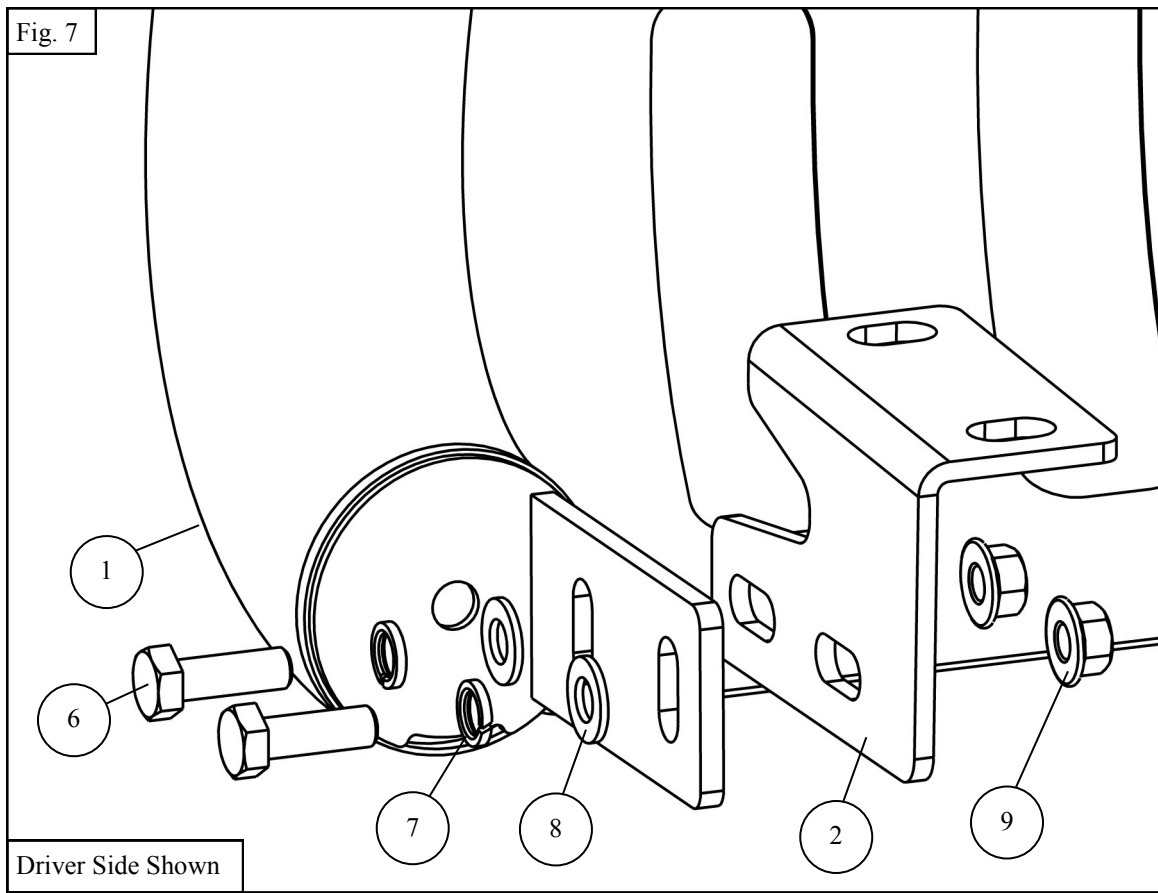
3. Using The supplied M12 hardware (items 13-15), loosely install the mounting brackets (items 2-3) in the tow hook mounting locations. See **Figures 2-3**. Trim front valence as necessary.



4. Remove factory bolt and loosely install the driver support strap (item 4) on to the top side of the bumper mount using the supplied M8 hardware (items 16-18). Start by rotating the strap and sliding it in just above the bumper between the driver side bumper mount and the driver side door. Slide the support strap into place and use factory weld nut to install.
Note: The space between the bumper and grille may be too small to slide the bracket through. If this is the case, loosen the hardware holding the bumper on to slide the bracket in. Tighten bumper hardware after support straps have been installed. See Figures 4-6
5. Repeat the process on the passenger side.



6. With the brackets now in place, loosely install the bull bar using the supplied 3/8" and M10 hardware. See **Figures 7-8.**



7. Adjust the bull bar as needed and torque all hardware as specified: 3/8" to 20 ft-lbs, M10 to 38 ft-lbs.

INSTALLATION COMPLETED



©2019 WESTIN AUTOMOTIVE PRODUCTS, INC. ALL RIGHTS RESERVED.

CARE INSTRUCTIONS

- REGULAR WAXING IS RECOMMENDED. DO NOT USE ANY TYPE OF POLISH OR WAX THAT MAY CONTAIN ABRASIVES.
- STAINLESS STEEL PRODUCTS CAN BE CLEANED WITH MILD SOAP AND WATER. STAINLESS STEEL POLISH SHOULD BE USED TO POLISH SMALL SCRATCHES.
- GLOSS BLACK FINISHES SHOULD BE CLEANED WITH MILD SOAP AND WATER.

WESTIN