



INSTALLATION INSTRUCTIONS

ULTIMATE BULL BAR

AUTOMOTIVE PRODUCTS,

APPLICATION:

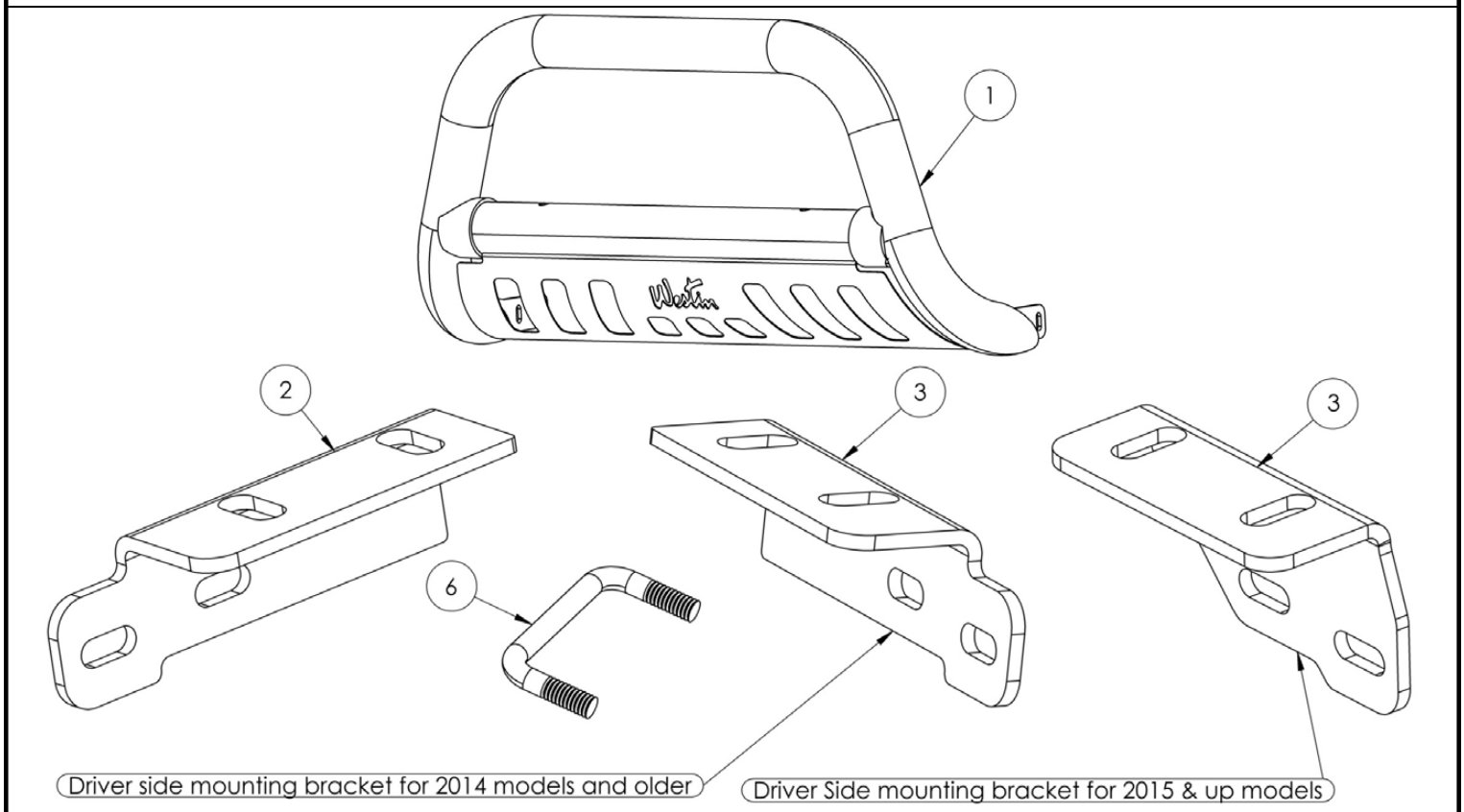
2003-2014 Ford Expedition / 2007-2014 Ford Expedition EL
 2003-2014 Lincoln Navigator L 2/4WD
 2009-2014 Ford F-150
 2015 + Ford F-150

PART NUMBER:

32-2400, 32-2405, 32-2450, 32-2455

ITEM	QUANTITY	DESCRIPTION	TOOLS NEEDED
1	1	BULL BAR ASSEMBLY	18MM SOCKET
2	1	PASSENGER SIDE MOUNTING BRACKET	SOCKET EXT.
3	1	DRIVER SIDE MOUNTING BRACKET	15MM SOCKET
4	2	PLASTIC PLUG	9/16" SOCKET
5	4	RUBBER BUMPER	9/16" WRENCH
6	2	U-BOLT	RATCHET
7	4	3/8-16 X 1.25" HEX HEAD BOLT (STAINLESS STEEL)	TORQUE WRENCH
8	8	3/8" SAE FLAT WASHER (STAINLESS STEEL)	
9	4	3/8" USS FLAT WASHER (STAINLESS STEEL)	
10	8	3/8" LOCK WASHER (STAINLESS STEEL)	
11	8	3/8-16 HEX NUT (STAINLESS STEEL)	

ANTI-SEIZE LUBRICANT MUST BE USED ON ALL STAINLESS STEEL FASTENERS TO PREVENT THREAD DAMAGE AND GALLING



Thank you for choosing Westin products.

PROCEDURE

1. Remove contents from box, verify if all parts listed are present and free from damage.

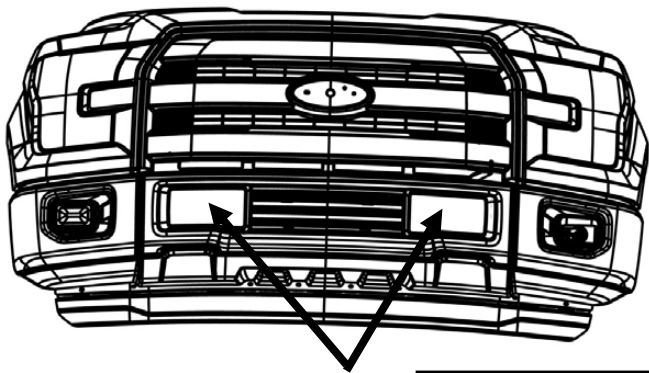
Carefully read and understand all instructions before attempting installation.

Failure to identify damage before installation could lead to a rejection of any claim.

1. It will be necessary to remove the front license plate and bracket. Remove license plate from bracket. Using a 3/16" drill bit, drill out the two pop rivets that hold the bracket to the bumper. If local/state laws requires a license plate, license plate relocation kit 32-0055 is available. (Note: It is usually easier to install relocater to Bull Bar before installing Bull Bar to vehicle.)
2. *For vehicles with factory tow hooks* remove tow hooks by removing front and rear bolts. NOTE: Tow hooks will not be reinstalled. Make sure nut plate in frame stays aligned with holes.
3. *For vehicles with factory tow hooks* position bottom bracket up to bottom of frame and replace tow hook bolts. Attach brackets to frame using the existing tow hook bolts. SEE FIGURE 3.
4. *For vehicles without factory tow hooks* trim the plastic in the areas shown in Figure 1 and 2.
5. *For vehicles without factory tow hooks* insert u-bolt in frame as shown. Insert u-bolt to the closest two holes in the frame. SEE FIGURES 4 AND 5. Attach bracket to u-bolts using 3/8" fasteners as shown. Hand Tighten.
6. Attach Bull Bar to mounting brackets using 3/8" fasteners. Make sure Bull Bar and brackets are properly aligned and tighten all fasteners. Recommended torque values are 19 ft-lbs for 3/8" fasteners and 50ft-lbs for M12 fasteners.

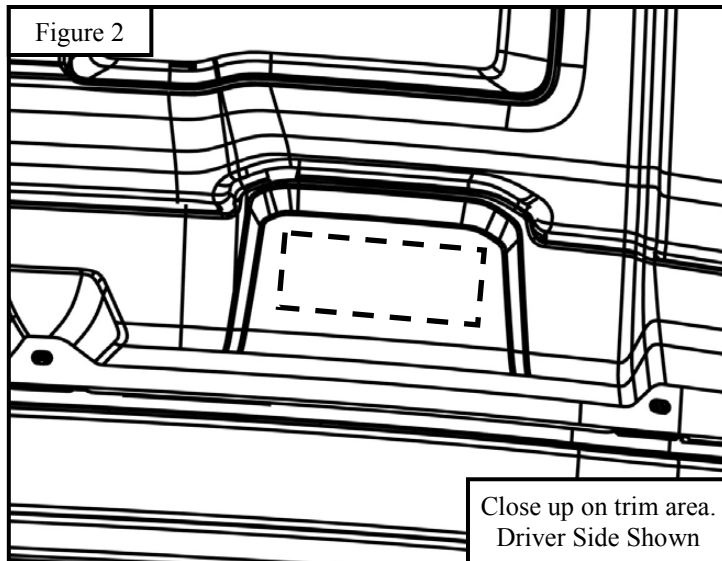
LIGHT INSTALLATION: Insert threaded stud on base of the light through hole in cross tube. Using a ratchet, extension and socket for correct size of nut supplied, insert through large clearance hole in bottom of cross tube. Thread nut and washers. SEE FIGURE 6.

Figure 1



Trim designated areas.

Figure 2



Close up on trim area.
Driver Side Shown

Figure 3

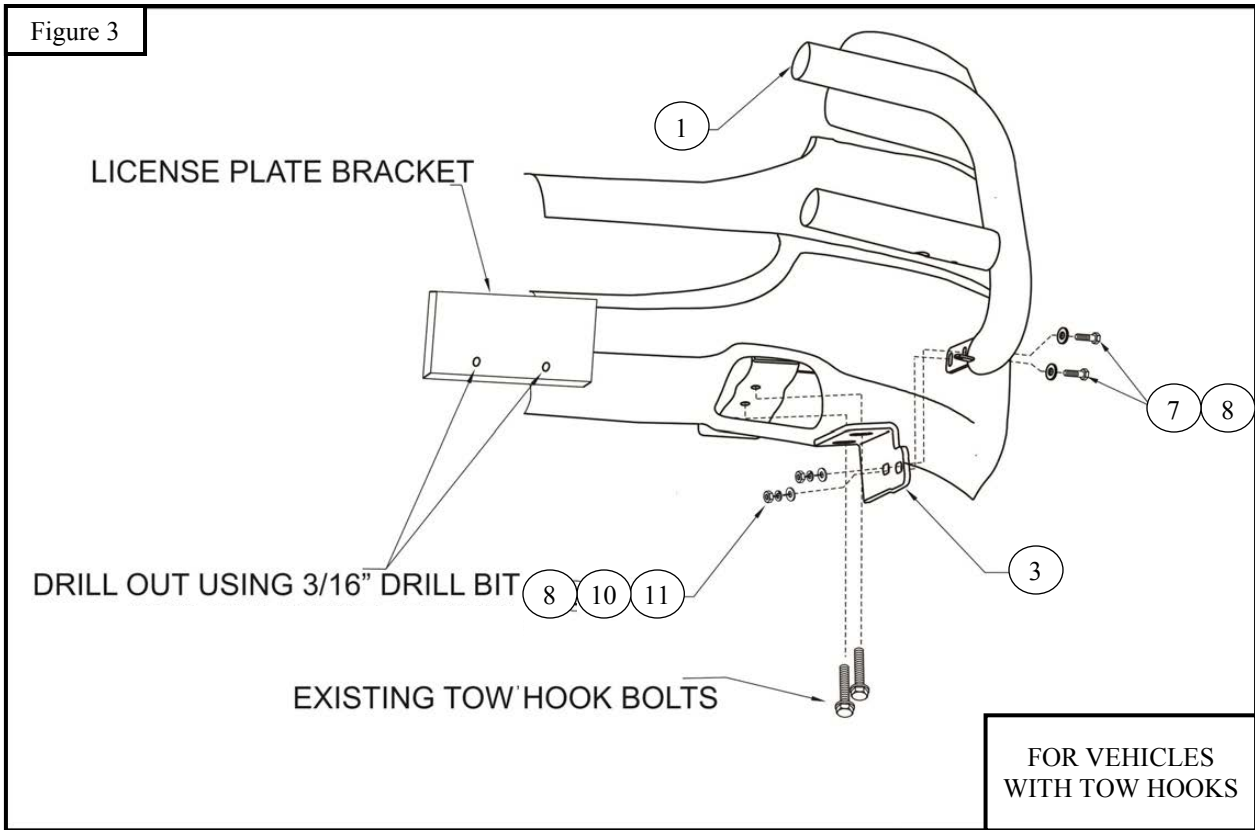


Figure 4

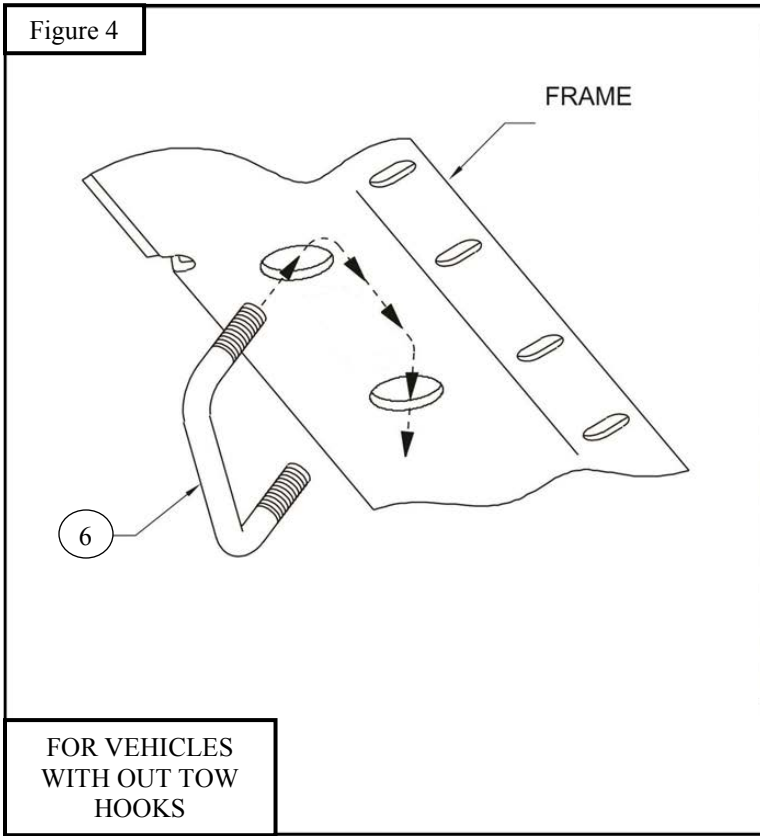


Figure 5

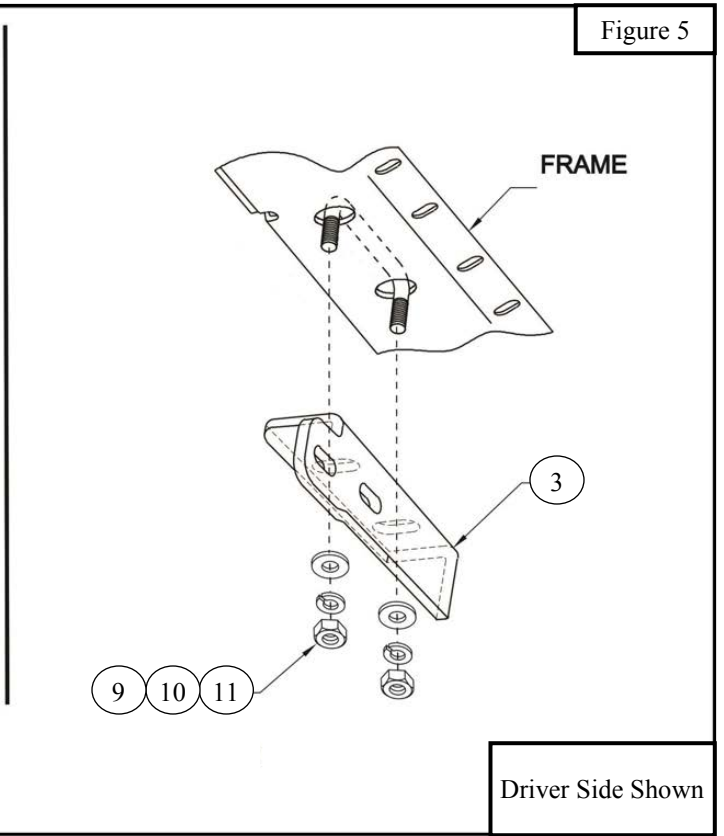
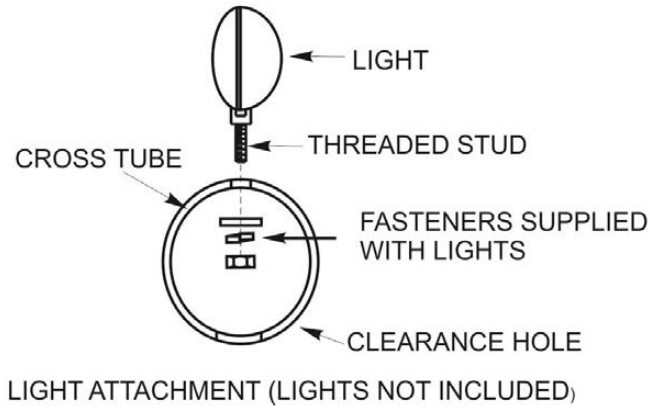
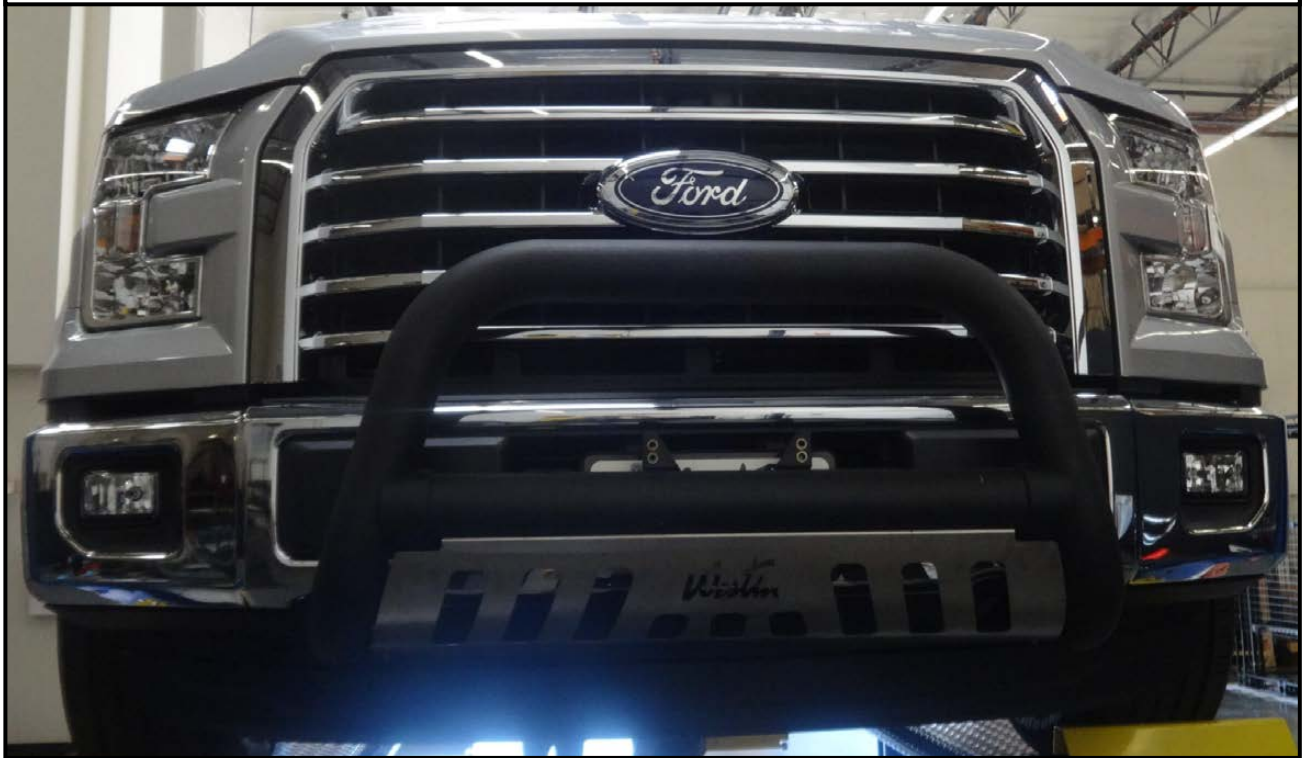


Figure 6



INSTALLATION COMPLETE



CARE INSTRUCTIONS

- REGULAR WAXING IS RECOMMENDED. DO NOT USE ANY TYPE OF POLISH OR WAX THAT MAY CONTAIN ABRASIVES.
- STAINLESS STEEL PRODUCTS CAN BE CLEANED WITH MILD SOAP AND WATER. STAINLESS STEEL POLISH SHOULD BE USED TO POLISH SMALL SCRATCHES.
- GLOSS BLACK FINISHES SHOULD BE CLEANED WITH MILD SOAP AND WATER.



Thank you for choosing Westin products.



SIGNATURE OF QUALITY

AUTOMOTIVE PRODUCTS, INC.



WARNING



Failure to follow these instructions could lead to death, personal injury, and / or property damage.

FASTENERS:

All Westin supplied fasteners must be utilized and installed in accordance with the installation instructions and apply torque to the specifications as defined. **DOUBLE CHECK ALL FASTENERS BEFORE INITIAL USE, AND PERIODICALLY IN THE FUTURE TO ENSURE PROPER FUNCTION AND SAFETY.**

DRILLING:

Most Westin products do not require drilling for installation. If drilling is defined as required, use caution when drilling a vehicle. **FAILURE TO REVIEW AN AREA TO BE DRILLED MAY RESULT IN PERSONAL INJURY AND/OR INJURY TO OTHERS AS WELL AS VEHICLE DAMAGE.**

EYE PROTECTION:

ALWAYS WEAR SAFETY GLASSES OR GOGGLES DURING THE INSTALLATION PROCESS TO AVOID PERSONAL INJURY.

MAXIMUM TOWING/CARRYING CAPACITY:

The Westin Receiver Hitches will have a visible tow rating label affixed directly on the product. User should never exceed the vehicle manufacturers maximum tow and weight rating regardless of the capacity of the hitch. **FAILURE TO FOLLOW THESE GUIDELINES WILL VOID THE WESTIN WARRANTY AND MAY RESULT IN PERSONAL INJURY AND/OR INJURY TO OTHERS AS WELL AS VEHICLE DAMAGE.**



SIGNATURE OF QUALITY

Thank you for choosing Westin products.