



SIGNATURE OF QUALITY

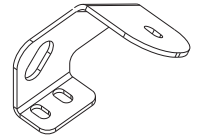
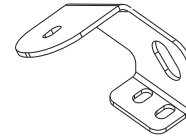
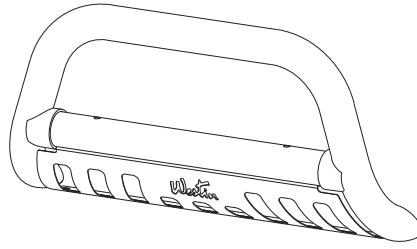
INSTRUCTIONS

APPLICATION: 1999-06 TOYOTA TUNDRA
2001-07 TOYOTA SEQUOIA

AUTOMOTIVE PRODUCTS, INC.

BULL BAR ASSEMBLY

32-1360
32-1365



ITEM	QTY	CONTENTS	TOOLS
1	1	BULL BAR ASSEMBLY	17MM SOCKET 3/4" WRENCH RATCHET TORQUE WRENCH
2,3	2	BRACKET, PASSENGER (2) AND DRIVER (3)	
4	2	PLASTIC PLUG	
5	4	RUBBER BUMPER	
6	2	1/2-13 X 2.00" HEX HEAD BOLT	
7	2	1/2" FLAT WASHER	
8	2	1/2" LOCK WASHER	
9	2	M12-1.25 X 30MM HEX HEAD BOLT, YELLOW ZINC	
10	2	1/2" FLAT WASHER, YELLOW ZINC	
11	2	1/2" LOCK WASHER, YELLOW ZINC	

- STEP 1.** Remove the contents from box and check for damage. Verify all parts are present. Read instructions completely before beginning. **NOTE:** Westin advises the installer to use a thread lubricant on all of the stainless steel fasteners.
- STEP 2.** **NOTE:** It may be necessary to remove/relocate front license plate and license plate bracket. It is not required, but strongly recommended. If local/state laws requires a license plate, license plate relocation kit 32-0055 is available.
- STEP 3.** Determine passenger and driver brackets. **SEE FIGURE 1.** Remove and discard tie down loop and tow hook. Save shorter 12mm fasteners. Attach brackets using shorter existing fasteners and supplied 12mm bolts as shown. Leave loose.
- STEP 4.** Attach Bull Bar to mount brackets using 1/2" stainless steel fasteners. Level and adjust Bull Bar as desired and tighten all fasteners. **SEE FIGURE 2.** Recommended torque values are 37 Ft. Lbs. for 1/2" stainless steel fasteners and 55 Ft. Lbs. for 12mm fasteners.
- LIGHT INSTALLATION:** Insert threaded stud on base of the light through hole in cross tube. Using a ratchet, extension and socket for correct size of nut supplied, insert through large clearance hole in bottom of cross tube. Thread nut and washers on stud and tighten. **SEE FIGURE 2.** **NOTE:** A short socket, not a deep well works best to get the nut started.
- NOTE:** Fits most 6" round or rectangle lights. Some lights may require replacing included mount/isolator with rubber bumpers provided. Mounting stud of 1/2" or less required. Plug mount holes with caps provided if not

FINISH PROTECTION

Westin products have a high quality finish that must be cared for like any other exposed finish on the vehicle. Protect the finish with a non-abrasive automotive wax, (e.g. Pure Carnauba) on a regular basis. The use of any soap, polish or wax that contains an abrasive is detrimental, as the compounds scratch the finish and open it to corrosion.

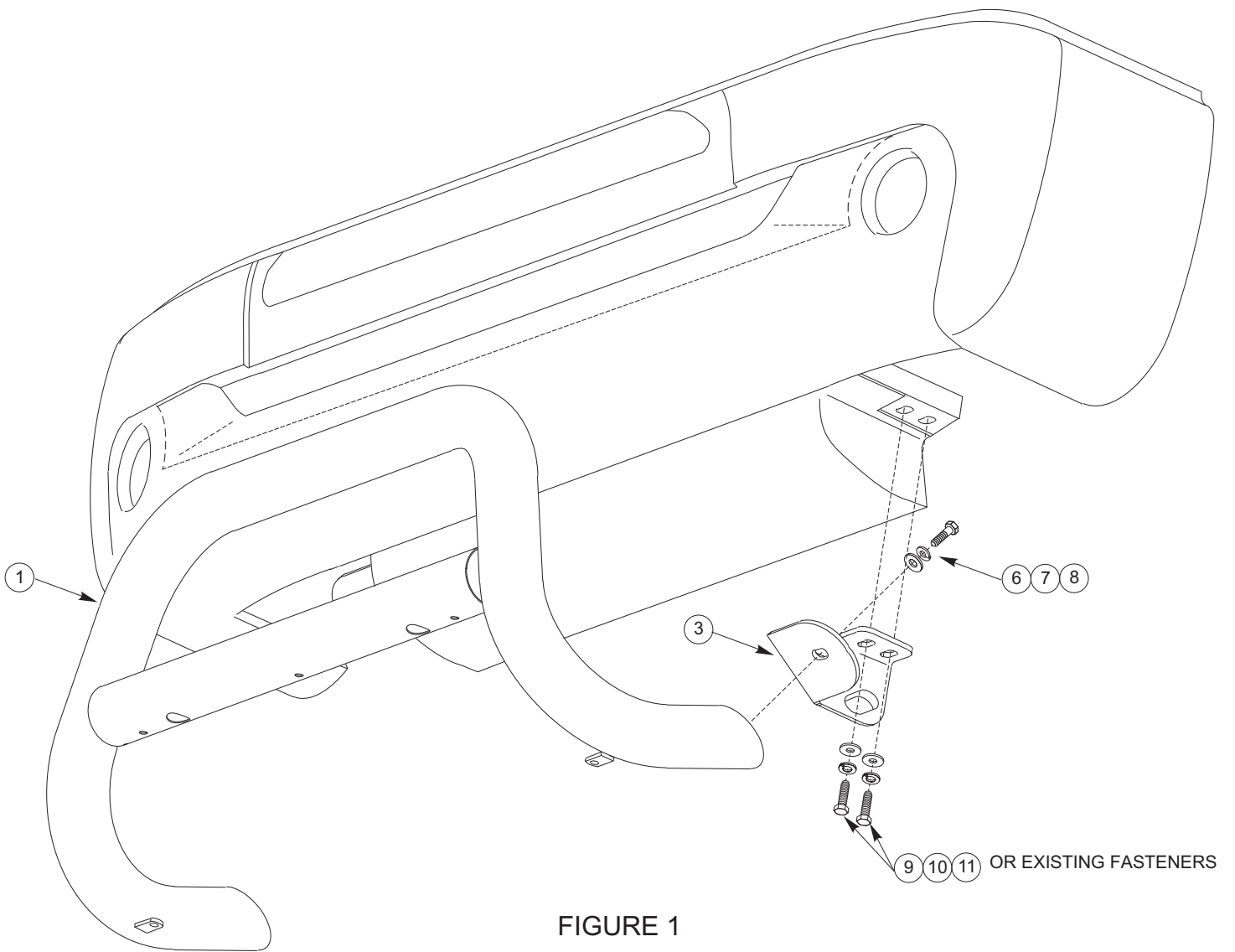


FIGURE 1

