



AUTOMOTIVE PRODUCTS,

INSTALLATION INSTRUCTIONS

E-SERIES BULL BAR

APPLICATION:

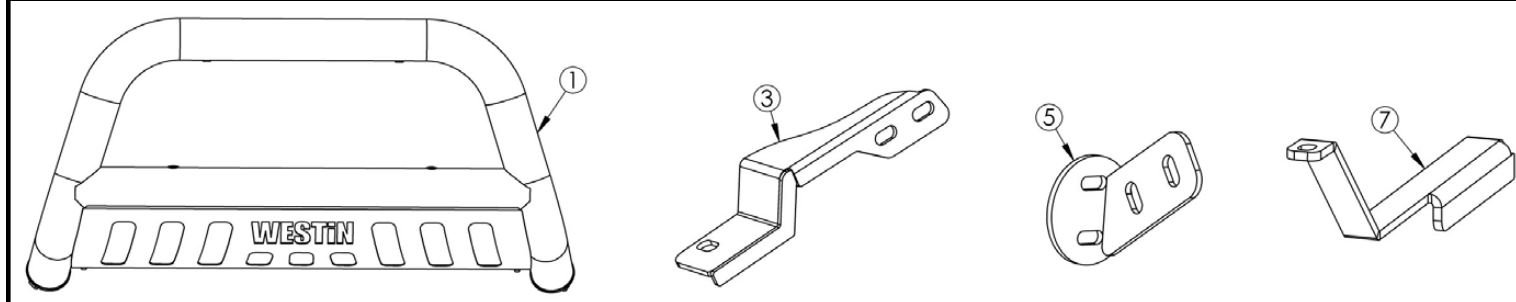
2016 Toyota Tacoma

PART NUMBER:

31-6000, 31-6005

ITEM	QUANTITY	DESCRIPTION	TOOLS NEEDED
1	1	BULL BAR ASSEMBLY	17MM SOCKET
2,3	2	MOUNT BRACKET, DRIVER (2) AND PASSENGER (3)	13MM SOCKET
4,5	2	BB MOUNT BRACKET, DRIVER (4) AND PASSENGER (5)	17MM WRENCH
6,7	2	STRAP, DRIVER (6) AND PASSENGER (7)	13MM WRENCH
8	4	M10 HEX HEAD CAP SCREW (BLACK ZINC)	RATCHET
9	8	M10 FLAT WASHER (BLACK ZINC)	TORQUE WRENCH
10	4	M10 SPLIT LOCK WASHER (BLACK ZINC)	5MM ALLEN WRENCH
11	4	M10 HEX NUT (BLACK ZINC)	
12	4	M8 HEX HEAD BOLT (BLACK ZINC)	
13	4	M8 FLAT WASHER (BLACK ZINC)	
14	4	M8 LOCK WASHER (BLACK ZINC)	
15	2	M10 BOLT PLATE (YELLOW ZINC)	
16	2	M10 HEX NUT (YELLOW ZINC)	
17	2	M10 LOCK WASHER (YELLOW ZINC)	
18	2	M10 FLAT WASHER (YELLOW ZINC)	
19	2	M8 HEX SOCKET BUTTON HEAD SCREW (BLACK ZINC)	
20	2	M8 FLAT WASHER (BLACK ZINC)	
21	2	M8 SPLIT LOCK WASHER (BLACK ZINC)	

ANTI-SEIZE LUBRICANT MUST BE USED ON ALL STAINLESS STEEL FASTENERS TO PREVENT THREAD DAMAGE AND GALLING



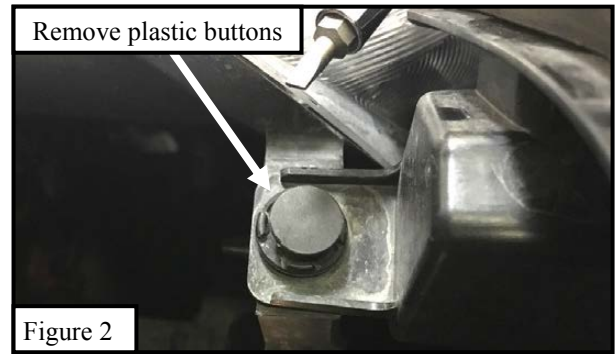
PROCEDURE

1. Remove contents from box, verify if all parts listed are present and free from damage.
Carefully read and understand all instructions before attempting installation.
Failure to identify damage before installation could lead to a rejection of any claim.

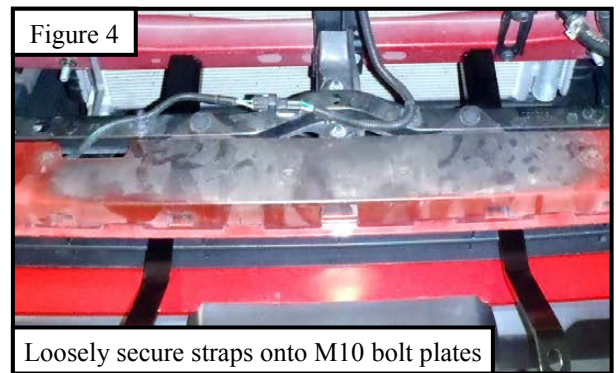
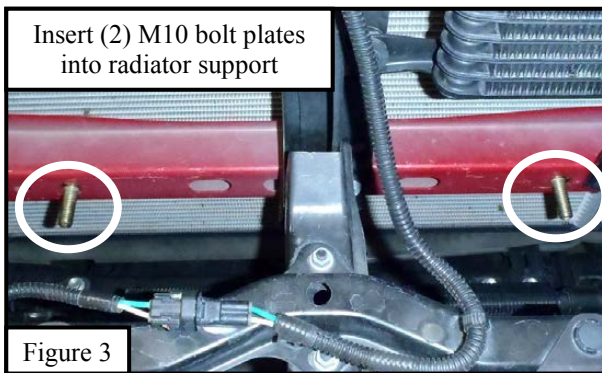


Thank you for choosing Westin products.

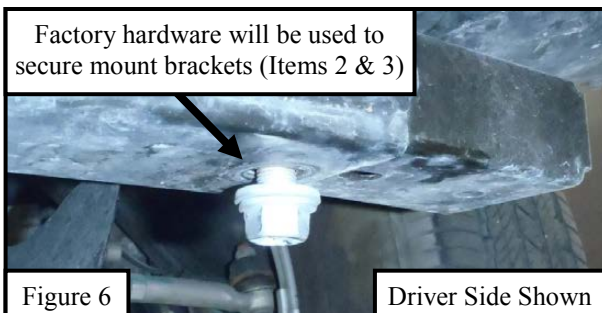
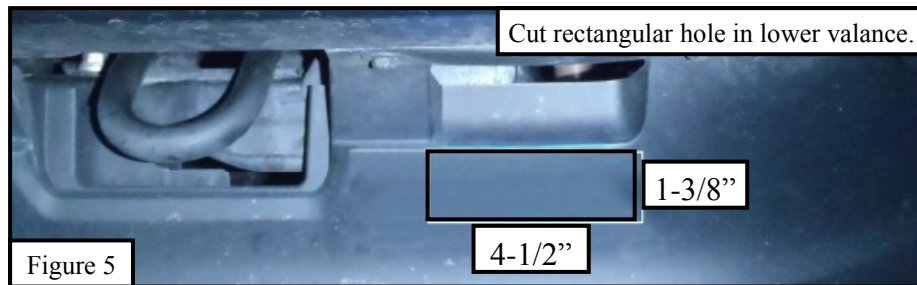
2. Under the hood of the vehicle remove screws and plastic push-pins to remove the grille. Once removed carefully pull off the grille guard. See **Figures 1 and 2.**



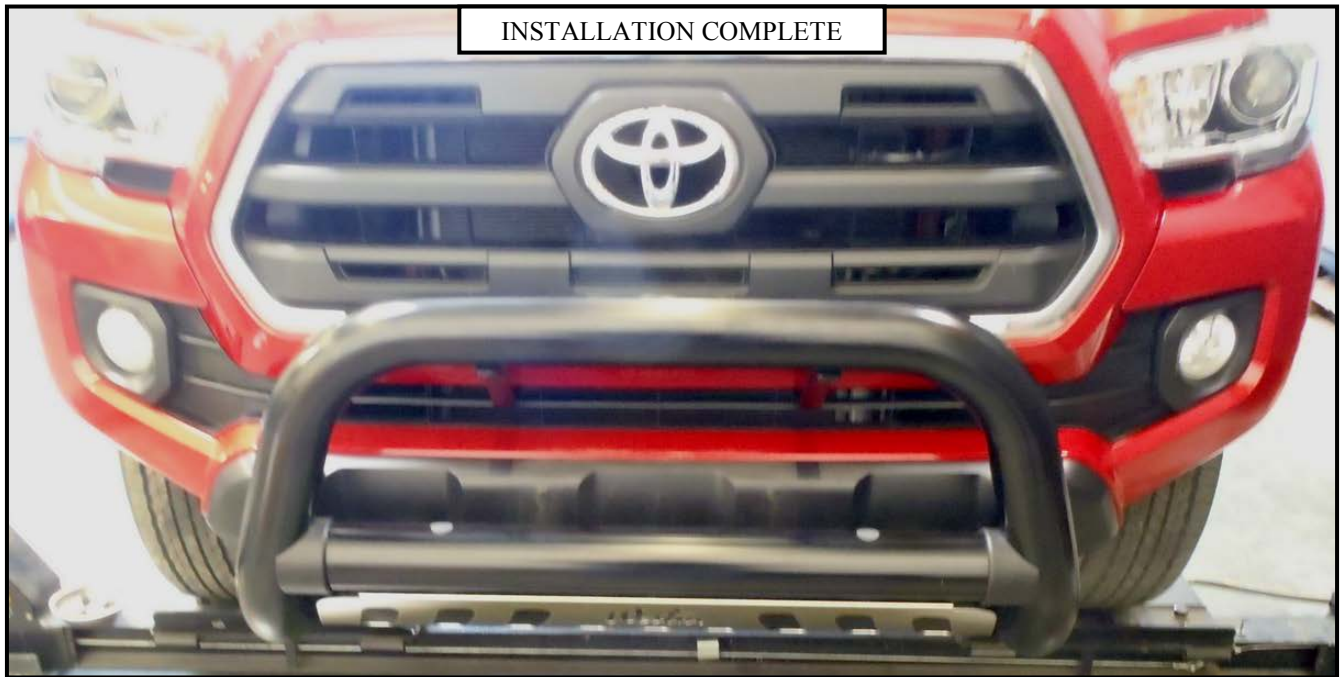
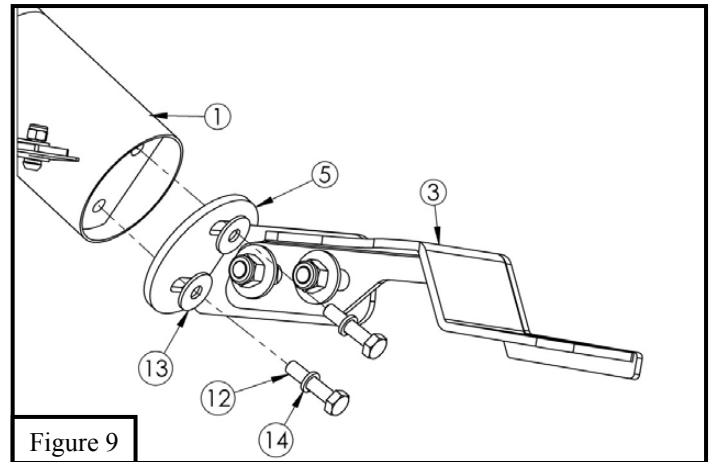
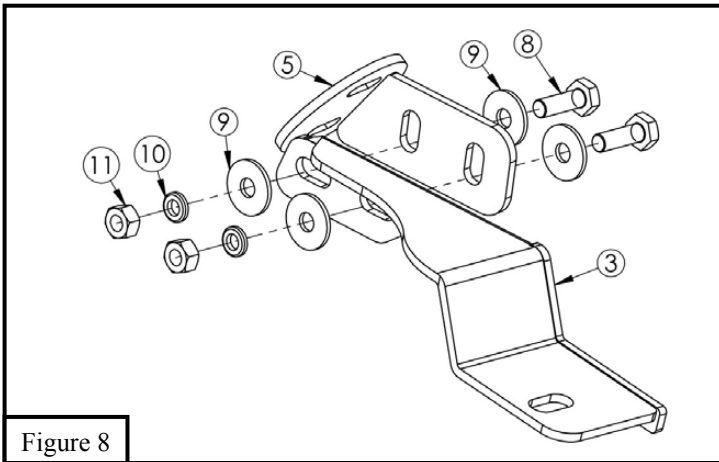
3. Insert (2) M10 bolt plates into the factory holes on the radiator support. See **Figure 3.**
4. Locate both straps (Items 6 & 7) and loosely secure to M10 bolts plates using the provided M10 hardware (Items 16-18). See **Figure 4.**



5. Cut a hole (4-1/2 in x 1-3/8 in) in both sides of the valance as shown in **Figure 5.** And proceed to bracket installation.
6. Locate lower mounting locations for mount brackets (Items 2 & 3). See **Figure 6.**
7. Loosely secure the mount brackets onto the mount location using the factory hardware located at the mounting location. See **Figure 7.**



8. Locate (1) BB mount bracket (Item 4 or 5) and loosely secure onto previously installed mount bracket using (2) M10 hex head cap screws, (4) M10 flat washers, (2) M10 split lock washers and (2) M10 hex nuts. **See Figure 8.**
9. Repeat step 7 for other side.
10. With assistance locate and lift the bull bar assembly and loosely secure onto the previously installed BB mount brackets using (4) M8 hex head bolts, (4) M8 flat washers and (4) M8 lock washers. **See Figure 9.** Using (2) M8 hex socket button head screws, (2) M8 flat washers and (2) M8 split lock washers loosely secure the straps (Items 6 and 7) onto the bull bar assembly.
11. Align and adjust bull bar assembly as necessary and then torque all fasteners: M8 to 20-25 ft-lbs , M10 30-35 ft-lbs.
12. Reinstall the grille.



CARE INSTRUCTIONS

- REGULAR WAXING IS RECOMMENDED. DO NOT USE ANY TYPE OF POLISH OR WAX THAT MAY CONTAIN ABRASIVES.
- STAINLESS STEEL PRODUCTS CAN BE CLEANED WITH MILD SOAP AND WATER. STAINLESS STEEL POLISH SHOULD BE USED TO POLISH SMALL SCRATCHES.
- GLOSS BLACK FINISHES SHOULD BE CLEANED WITH MILD SOAP AND WATER.

Westin

SIGNATURE OF QUALITY

AUTOMOTIVE PRODUCTS, INC.



WARNING



Failure to follow these instructions could lead to death, personal injury, and / or property damage.

FASTENERS:

All Westin supplied fasteners must be utilized and installed in accordance with the installation instructions and apply torque to the specifications as defined. **DOUBLE CHECK ALL FASTENERS BEFORE INITIAL USE, AND PERIODICALLY IN THE FUTURE TO ENSURE PROPER FUNCTION AND SAFETY.**

DRILLING:

Most Westin products do not require drilling for installation. If drilling is defined as required, use caution when drilling a vehicle. **FAILURE TO REVIEW AN AREA TO BE DRILLED MAY RESULT IN PERSONAL INJURY AND/OR INJURY TO OTHERS AS WELL AS VEHICLE DAMAGE.**

EYE PROTECTION:

ALWAYS WEAR SAFETY GLASSES OR GOGGLES DURING THE INSTALLATION PROCESS TO AVOID PERSONAL INJURY.

MAXIMUM TOWING/CARRYING CAPACITY:

The Westin Receiver Hitches will have a visible tow rating label affixed directly on the product. User should never exceed the vehicle manufacturers maximum tow and weight rating regardless of the capacity of the hitch. **FAILURE TO FOLLOW THESE GUIDELINES WILL VOID THE WESTIN WARRANTY AND MAY RESULT IN PERSONAL INJURY AND/OR INJURY TO OTHERS AS WELL AS VEHICLE DAMAGE.**

Westin.
SIGNATURE OF QUALITY

Thank you for choosing Westin products.