



AUTOMOTIVE PRODUCTS, INC.

INSTRUCTIONS

APPLICATION: 2005-2015 TOYOTA TACOMA

APP PART # 31-5600, 31-5605

BULL BAR

ITEM	QUANTITY	DESCRIPTION	TOOLS NEEDED
1	1	BULL BAR	16MM WRENCH
2,3	2	FRAME MOUNTIGN BRACKET (2) DRIVERS SIDE, (3) PASSENGER SIDE	16MM SOCKET
4	2	M10 X 120MM HEX HEAD BOLTS	RATCHET
5	4	M10 X 30MM HEX HEAD BOLTS	TORQUE WRENCH
6	2	M10 X 30MM OD FLAT WASHERS	
7	10	M10 X 20MM OD FLAT WASHERS	
8	6	M10 LOCK WASHERS	
9	6	M10 HEX NUTS	
10	4	M12 SPACER WASHERS	

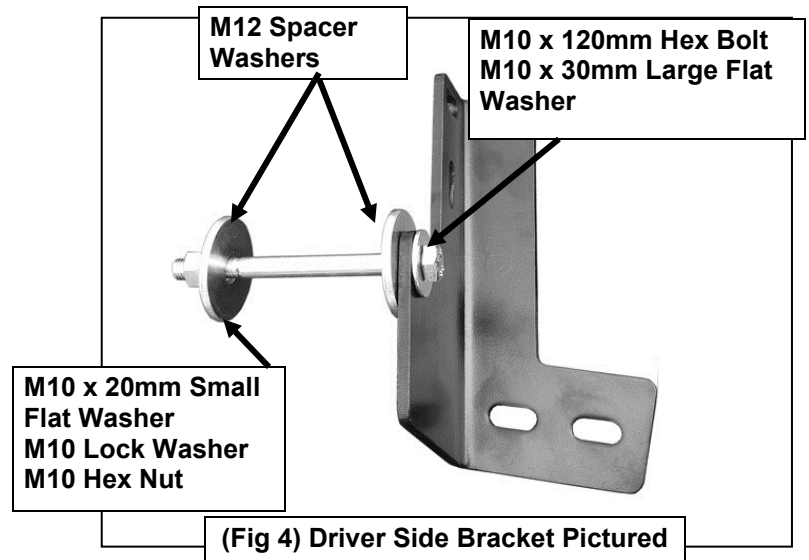
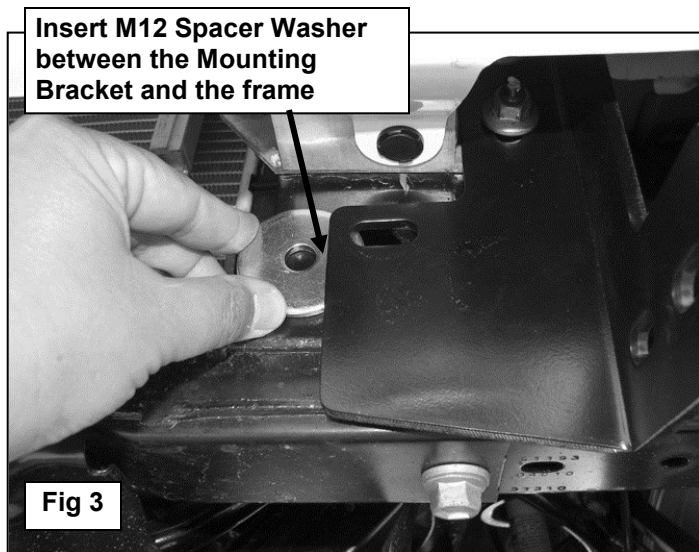
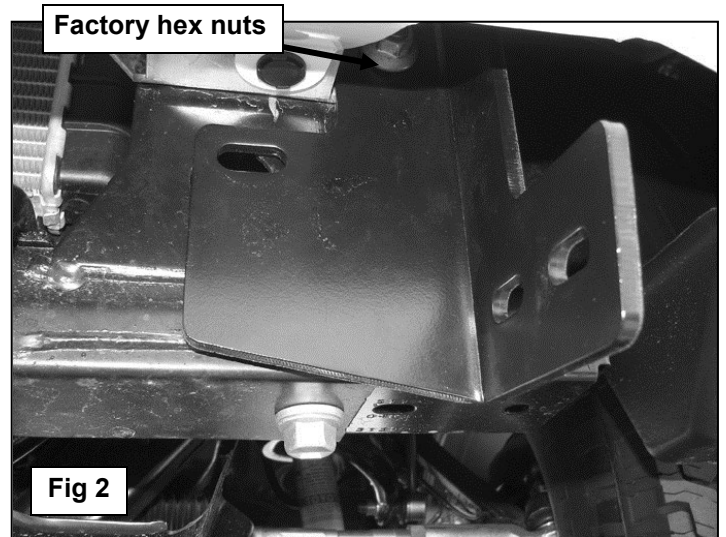
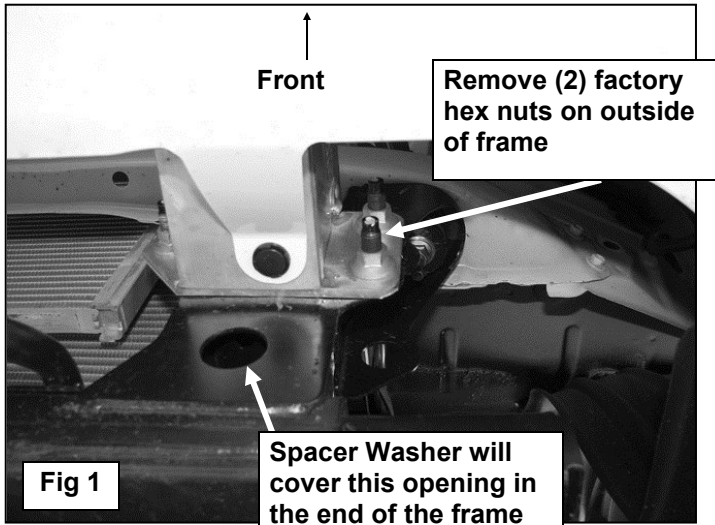
1. Remove contents from box, verify if all parts listed are present and free from damage. Carefully read and understand all instructions before attempting installation. NOTE: this application is not compatible with optional full coverage factory aluminum skid plate. This must be removed and cannot be re installed.
2. Start installation at the driver side, front of the vehicle and remove the (2) factory bumper mount hex nuts located toward the outside of the bumper mount and frame channel, (Figures 1 & 7). Select the driver side frame mounting bracket and hang it from the (2) threaded studs. Secure the Bracket to the (2) threaded studs with the (2) factory hex nuts, (Figures 2 & 7). Do not tighten hardware at this time.
3. Select (1) M12 Spacer Washer. Insert the M12 Spacer Washer between the Mounting Bracket and the frame channel, (Figures 3, 4 & 7). Insert (1) M10 x 120mm Hex Bolt and (1) M10 x 30mm OD Large Flat Washer through the oval hole in the Mounting Bracket, the Spacer Washer and into the large hole in the end of the frame channel, (Figures 4, 5 & 7). Place (1) M12 Spacer Washer over the M10 Hex Bolt covering the opening in the back of the frame channel. Secure the Hex Bolt to the frame channel with (1) M10 x 20mm OD Small Flat Washer, (1) M10 Lock Washer and (1) M10 Hex Nut, (Figures 4, 6 & 7). Snug but do not tighten all of the hardware. Repeat Steps 2 – 3 for passenger side Mounting Bracket installation.
4. With assistance, line up the mounting tabs on the Bull Bar with the outside of the (2) previously installed Frame Mounting Brackets. Bolt the Bull Bar to the Frame Mounting Brackets with the included (4) M10 x 30mm Hex Bolts, (8) M10 x 20mm OD Small Flat Washers, (4) M10 Lock Washers and (4) M10 Hex Nuts, (Figure 7). Snug but do not tighten hardware at this time.
5. Level and adjust the Bull Bar properly and tighten all hardware. Torque all M10 hardware to 30-35 ft lbs



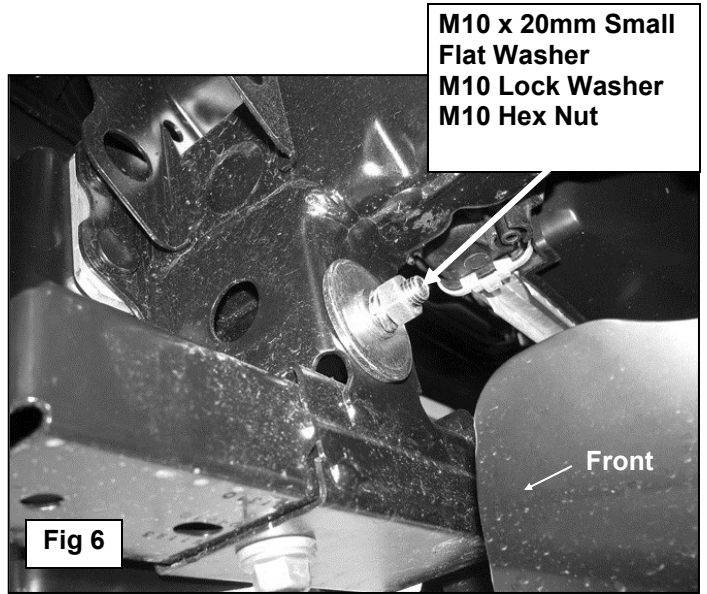
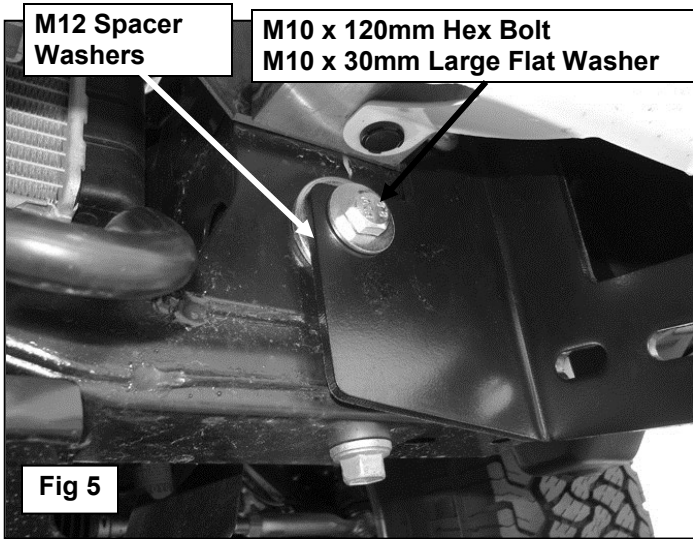
Thank You for choosing Westin products.

CARE INSTRUCTIONS

- REGULAR WAXING IS RECOMMENDED. DO NOT USE ANY TYPE OF POLISH OR WAX THAT MAY CONTAIN ABRASIVES
- STAINLESS STEEL PRODUCTS CAN BE CLEANED WITH MILD SOAP AND WATER. STAINLESS STEEL POLISH SHOULD BE USED TO POLISH SMALL SCRATCHES.
- GLOSS BLACK FINISHES SHOULD BE CLEANED WITH MILD SOAP AND WATER



Thank You for choosing Westin products.



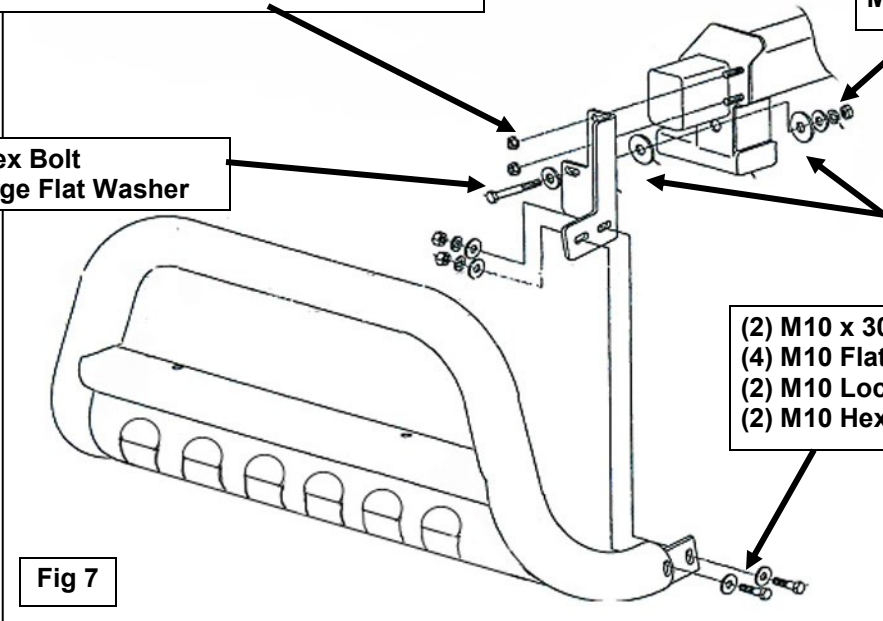
Remove only the (2) outer hex nuts bolting the bumper bracket to the end of the frame. Use the factory hex nuts to bolt the Mounting Bracket to frame

M10 x 120mm Hex Bolt
M10 x 30mm Large Flat Washer

M10 x 20mm Small Flat Washer
M10 Lock Washer
M10 Hex Nut

M12 Spacer Washers

(2) M10 x 30mm Hex Bolts
(4) M10 Flat Washers
(2) M10 Lock Washers
(2) M10 Hex Nuts



Thank You for choosing Westin products.