



SIGNATURE OF QUALITY

AUTOMOTIVE PRODUCTS, INC.

INSTRUCTIONS

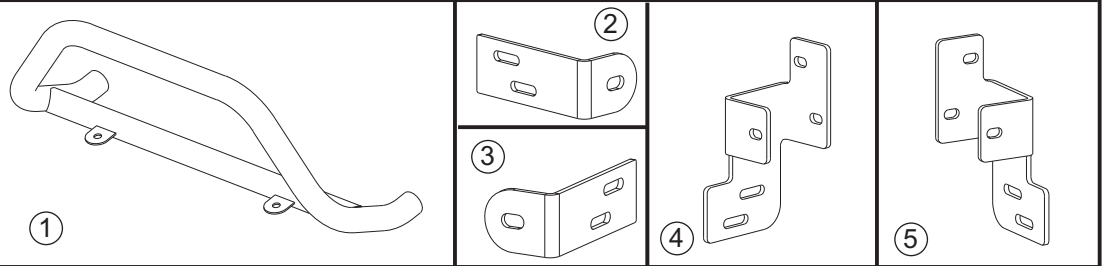
APPLICATION: 2002-07 CHEVROLET TRAILBLAZER/GMC ENVOY/2002-04 OLDSMOBILE BRAVADA
2003-07 ISUZU ASCENDER/2004-07 BUICK RAINIER

SAFARI BAR ASSEMBLY

30-0020 30-0025

MOUNT KIT

30-1345



ITEM	QTY	CONTENTS	TOOLS
1	1	SAFARI BAR ASSEMBLY (PURCHASED SEPARATELY)	3/4" SOCKET 3/4" WRENCH 9/16" SOCKET 9/16" WRENCH RATCHET SMALL FLAT SCREWDRIVER TORQUE WRENCH
2,3	2	HOOP BRACKET, PASSENGER (2) AND DRIVER (3)	
4,5	2	FRAME BRACKET, PASSENGER (4) AND DRIVER (5)	
6	2	1/2-13 X 2.00" HEX HEAD BOLT	
7	2	1/2" FLAT WASHER	
8	2	1/2" LOCK WASHER	
9	10	3/8-16 X 1.25" HEX HEAD BOLT	
10	20	3/8" FLAT WASHER	
11	10	3/8" LOCK WASHER	
12	10	3/8-16 HEX NUT	

- STEP 1. Remove the contents from box and check for damage. Verify all parts are present. Read instructions completely before beginning.
- STEP 2. Remove lower air dam from bumper by removing two push type fasteners from both sides of vehicle. Pull air dam forward to remove.
- STEP 3. From underneath front of vehicle, locate the body mount. Determine passenger and driver frame brackets. Attach frame brackets inside body mount channel with 3/8" fasteners as shown. Leave loose. **SEE FIGURE 1.**
- NOTE:** If vehicle is equipped with underbody shield package, it will be necessary to remove. If shield is to be reinstalled, both ends require trimming to fit around the brackets. Reinstall using fasteners supplied.
- STEP 4. Attach hoop brackets to frame brackets using 3/8" fasteners as shown. **SEE FIGURE 1.**
- STEP 5. Attach Safari Bar to mount brackets using 1/2" fasteners. Level and adjust Safari Bar as desired and tighten

FINISH PROTECTION

Westin products have a high quality finish that must be cared for like any other exposed finish on the vehicle. Protect the finish with a non-abrasive automotive wax, (e.g. Pure Carnauba) on a regular basis. The use of any soap, polish or wax that contains an abrasive is detrimental, as the compounds scratch the finish and open it to corrosion.

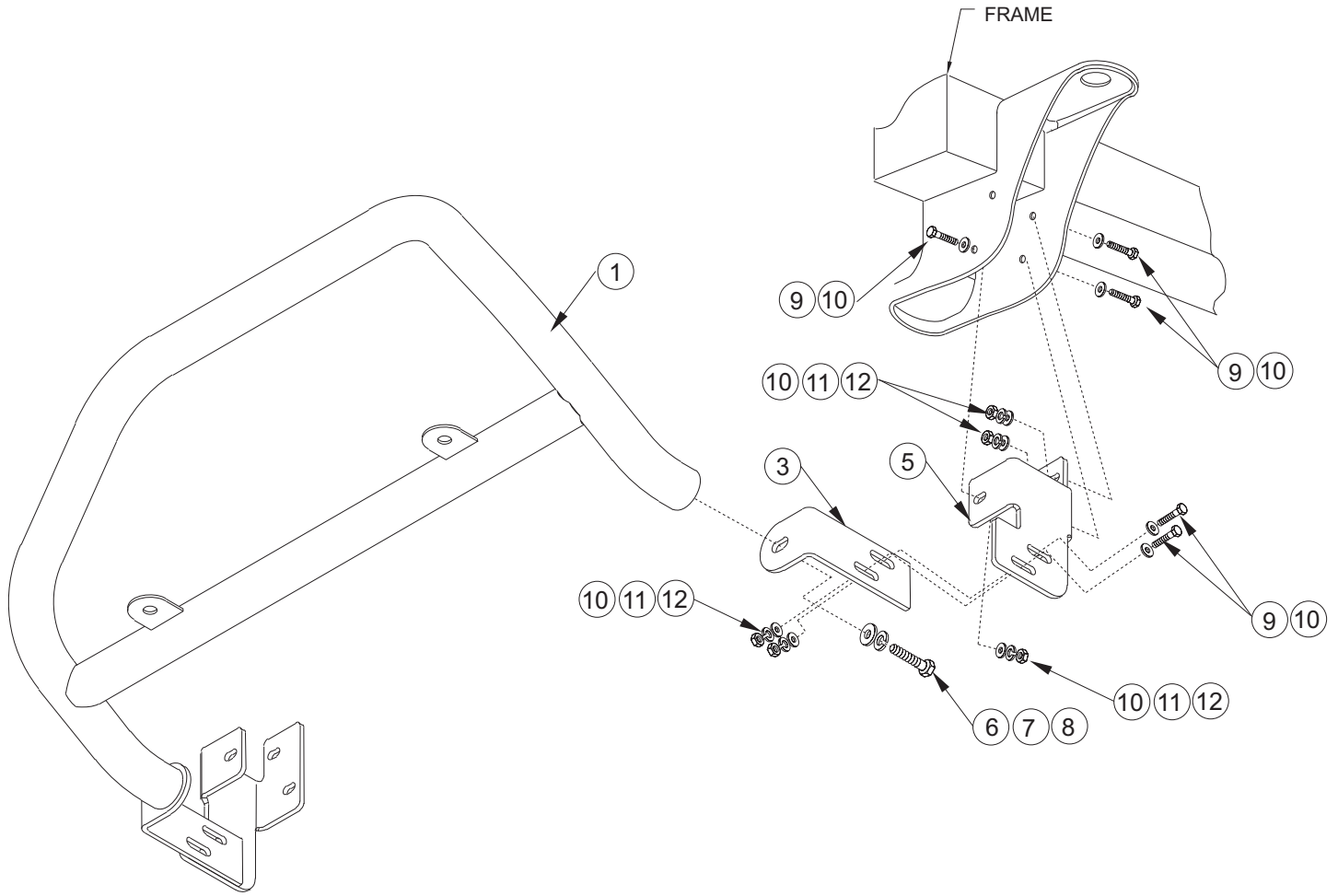


FIGURE 1 INSTALLATION VIEW OF DRIVER SIDE SHOWN, PASSENGER SIDE OPPOSITE



AUTOMOTIVE PRODUCTS, INC.

Thank You for choosing Westin products.

À Á Â Ã Ä Å Æ Ç È É Ê Ë Ì Í Î Ï Ñ Ò Ó Ô Õ Ö × Ø Ù Ú Û Ü Ý Þ ß à á â ã