



SIGNATURE OF QUALITY

AUTOMOTIVE PRODUCTS, INC.

INSTRUCTIONS

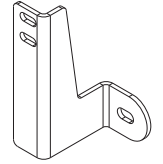
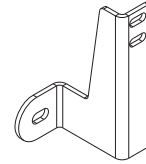
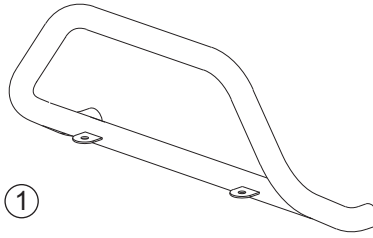
APPLICATION: 2003-07 TOYOTA 4-RUNNER
2003-04 LEXUS GX 470

SAFARI BAR ASSEMBLY

30-0020 30-0025

MOUNT KIT

30-1325



ITEM	QTY	CONTENTS	TOOLS
1	1	SAFARI BAR ASSEMBLY (PURCHASED SEPARATELY)	3/4" SOCKET 3/4" WRENCH RATCHET TORQUE WRENCH
2,3	2	BRACKET, PASSENGER (2) AND DRIVER (3)	
4	2	1/2-13 X 2.00" HEX HEAD BOLT	
5	2	1/2" FLAT WASHER	
6	2	1/2" LOCK WASHER	

- STEP 1. Remove the contents from box and check for damage. Verify all parts are present. Read instructions completely before beginning.
- STEP 2. Remove two of the three outer hex nuts that hold bumper support frame to vehicle frame. **SEE FIGURE 1.**
- STEP 3. Determine passenger and driver brackets. Attach brackets with existing 10mm fasteners previously removed. Leave loose.
- STEP 4. Attach Safari Bar to mount brackets using 1/2" fasteners. Level and adjust Safari Bar as desired and tighten all fasteners. Recommended torque values are 64 Ft. Lbs. for 1/2" fasteners and 30 Ft. Lbs. for

FINISH PROTECTION

Westin products have a high quality finish that must be cared for like any other exposed finish on the vehicle. Protect the finish with a non-abrasive automotive wax, (e.g. Pure Carnauba) on a regular basis. The use of any soap, polish or wax that contains an abrasive is detrimental, as the compounds scratch the finish and open it to corrosion.

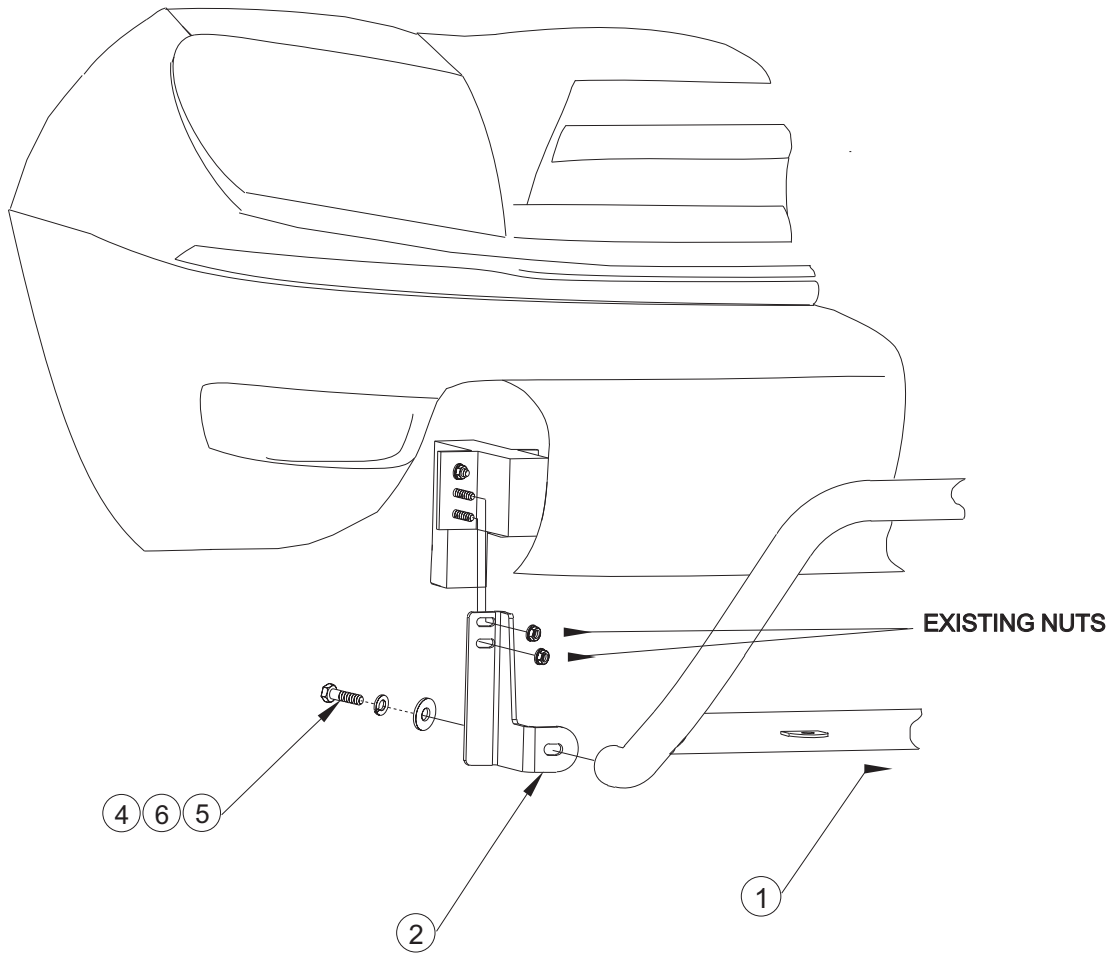


FIGURE 1
INSTALLATION VIEW OF PASSENGER SIDE, DRIVER SIDE OPPOSITE